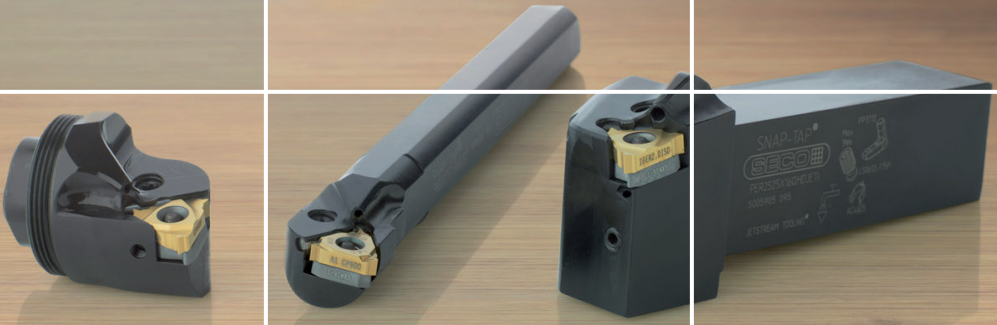


# CATALOG & TECHNICAL GUIDE 2018



## THREADING



## **SOLUTIONS & SUPPORT**

By choosing Seco, you get more than just a comprehensive portfolio of advanced metal-cutting solutions and expert services. You get a partnership based on trust, respect and communication and a team that is always ready to help you gain the competitive advantage.

Globally headquartered in Fagersta, Sweden and present in more than 50 countries, Seco develops cutting tools, processes and services for high productivity and profitability. Our team of over 4,000 dedicated employees maintains partnerships around the world to identify and overcome the challenges faced by today's manufacturers.

Our broad selection of milling, turning, holmaking and toolholding solutions include over 30,000 standard products, custom items for special applications and a team of metal-cutting experts who help customers identify and implement cost-effective solutions.

<b>Alphanumeric index</b>	Tools .....	2-3
	Inserts .....	4-5
<b>Thread turning</b>	Technical information .....	6-30
	Application overview, toolholders .....	31-32
	Application overview, inserts .....	33
	Oil and gas threading, introduction .....	34-38
	Jetstream Tooling® – introduction .....	39
	Jetstream Tooling® – assembly, accessories .....	40-41
	Jetstream Tooling® – Toolholders, external .....	42
	Jetstream Tooling® – Toolholders, internal .....	43-45
	Toolholders, external .....	46-52
	Toolholders, internal .....	53-57
	Seco-Capto™ – Toolholders, external .....	58-62
	Seco-Capto™ – Toolholders, internal .....	63-70
	Steadyline®, GL-heads, Jetstream Tooling® .....	71-72
	Steadyline® – GL-heads .....	73-74
	Seco-Capto™ – Toolholders for MTM .....	75-76
	Toolholders for chasers, external .....	77
	Seco-Capto™ .....	78-82
	Steadyline® – GL-heads .....	83
	Inserts .....	84-116
	Chipformers .....	117
<b>Thread MDT</b>	Toolholders, external .....	118
	Inserts .....	119-120
<b>Thread Mini Shaft</b>	Toolholders .....	121
	Inserts .....	122-126
<b>Rotating threading</b>	Technical information .....	128-142
	Threadmaster™, Cutters .....	143-146
	Thread milling Indexable .....	147-150
	Thread milling, inserts .....	151-154
	Thread milling – Shanks .....	155-156
	Thread milling – Heads .....	157-159
	Threadmaster™ Taps, Technical information .....	160-177
	Threadmaster™ Taps .....	178-261
<b>SMG</b>	Workpiece Materials – SMG .....	262-273
<b>Declaration of conformity</b>	.....	274-276

Thread turning

Thread MDT

Thread Mini Shaft

Rotating  
threading

SMG

Declaration of  
conformity

## 3

335.14	155
335.14-ER	156

## A

A.-SGXN	121
A.-SGXN.-R	121

## C

C..CER/L..X	78
C..CNR/L..X	78-80
C..CNR/L..C-X	81-82
C.-CER/L.-.CHD	60-61
C.-CER/L.-.HD	58-59, 62, 75-76
C.-CNR/L.-.CHD	68-70
C.-CNR/L.-.HD	63-67
C.-CNR/L.-.HD-OG	67
C.-SNR	63
CER/L	46
CER/L...QHD	51-52
CER/L...HD	46-47, 51-52
CER/L...Q	48
CER/L...QHD	46, 48-49
CER...X	77
CER...CQHD	50
CFIR/L	118
CNR/L...AHD	54-57
CNR/L...APIHD	55-56

## D

DTM-M	146
DTM-MF	146
DTM-UNC	146
DTM-UNF	146
DTM-W	146

## E

E.-SGXN	121
E.-SGXN.-R	121

## G

GL.-CNR/L	73-74
GL..CNR/L..X	83
GL..PNR/L	71-72

## M

MF-V053	218
MF-V054	219
MF-V055	220
MF-V056	221
MF-V057	222
MF-V058	223
MF-V059	224
MF-V060-A	225
MF-V063	226
MF-V063-A	227
MTH-M003	196
MTH-M003-A	197
MTH-M004	198
MTH-M004-A	199
MTH-N001	212
MTH-N002	213
MTH-P001	178
MTH-P001-A	179
MTH-P002	180
MTH-P002-A	181
MTH-P003	182

MTH-P003-A	183
MTH-P004	184
MTH-P004-A	185
MTH-P011	186-187
MTH-V011	228
MTH-V015	229
MTH-V016	230
MTH-V025	231
MTH-V026	232
MTH-V028	233
MTH-V029	234
MTH-V030	235
MTH-V030-A	236
MTH-V033	237
MTH-V033-A	238
MTH-V038	239-240
MTH-V038-A	241-242
MTH-V040	243
MTH-V043	244
MTH-V045	245
MTH-V048	260
MTH-V050	261
MTP-M003	200
MTP-M003-A	201
MTP-M004	202
MTP-M004-A	203
MTP-N001	214
MTP-N001-A	215
MTP-N002	216
MTP-N002-A	217
MTP-P001	188
MTP-P002	189
MTP-P003	190
MTP-P003-A	191
MTP-P004	192
MTP-P004-A	193
MTP-P011	194-195
MTP-V001	246
MTP-V002	247-248
MTP-V005	248
MTP-V006	249
MTP-V007	250
MTP-V007-A	251
MTP-V008	252
MTP-V008-A	253
MTP-V014	254-255
MTP-V014-A	256
MTP-V017	257
MTP-V020	258
MTP-V023	259
MTS-K001	204
MTS-K001-A	205
MTS-K002	206
MTS-K002-A	207
MTS-K011	208
MTS-K021	209
MTS-K031	210
MTS-K041	211

<b>P</b>	
PER..QHDJET .....	42
PNR/L..AHDJET .....	43-45
<b>R</b>	
R396.18 .....	147, 150
R396.19 .....	147-148, 150
R396.20 .....	149-150
<b>S</b>	
SNR/L .....	53
SNR...A .....	53
<b>T</b>	
TM-M .....	143
TM-MF .....	143
TM-MINI .....	145
TM-NPT .....	144
TM-NPTF .....	144
TM-UNC .....	143
TM-UNF .....	144
TM-W .....	144

<b>09NR</b>			
..A55	85	..HEF	111
..A60	87	..ISO	88-89, 91
..BSPT	99	..N55	84
..ISO	90	..N60	86
..NPT	101	..NPT	100
..UN	94	..RD	103
..W	98	..STACME	108
		..TR	104
		..UN	92-93
		..W	97
<b>11NR/L</b>		<b>22ER</b>	
..A55	85	..API	110
..A60	87	<b>22NR/L</b>	
..ISO	90-91	..ACME	107
..NPT	101	..BUT	115
..UN	94	..HEF	112
..W	98	..ISO	90
		..N55	85
<b>11NR</b>		..N60	87
..NPTF	102	..NPT	101
<b>13NMS</b>		..RD	103
	151	..STACME	109
<b>16ER/L</b>		..TR	105
..A55	84	..UN	94-95
..A60	86	..W	98
..ACME	106	<b>22NR</b>	
..APIRD	113	..API	110
..BSPT	99	..BUT	114
..ISO	88-89	<b>26ER</b>	
..MJ	96	..ACME	106
..NPT	100	..K55	84
..NPTF	102	..K60	86
..RD	103	..STACME	108
..STACME	108	..TR	104
..TR	104	<b>26NR</b>	
..UN	92-94	..ACME	107
..UNJ	96	..K55	85
..W	97	..K60	87
		..TR	105
<b>16NR/L</b>		<b>27ER/L</b>	
..A55	85	..ACME	106
..A60	87	..H	111
..ACME	107	..ISO	88-89
..API RD	113	..RD	103
..BSPT	99	..TR	104
..ISO	90-91	..UN	92
..NPT	101	<b>27ER</b>	
..NPTF	102	..API	110, 113
..RD	103	..NPT	100
..STACME	109	..STACME	108
..TR	105	<b>27NR</b>	
..UN	95	..ACME	107
..W	98	..API	110, 113
		..H	112
<b>20ER</b>		..ISO	90-91
..ACME	106	..RD	103
..STACME	108	..STACME	109
..TR	104	..TR	105
<b>20NR</b>		..UN	94
..ACME	107		
..STACME	109		
..TR	105		
<b>22ER/L</b>			
..ACME	106		
..API RD	113		
..BUT	114-115		

<b>369.20</b>	154
<b>396.19-4003</b>	152
<b>396.19-4005</b>	153
<b>C-..</b>	117
<b>LCEX</b>	122-126
<b>LCGN</b>	119-120
<b>R396.19</b>	153

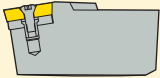
## Toolholders



<b>C</b>	<b>E</b>	<b>R</b>	<b>25</b>	<b>25</b>	<b>M</b>	<b>16</b>	<b>Q</b>	<b>HD</b>
1	2	3	4	5	6	7	8	9

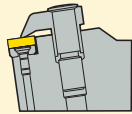
### 1. Insert clamping

S



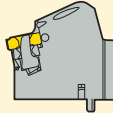
Screw

C



Clamp

P



Pin

### 3. Cutting direction

L

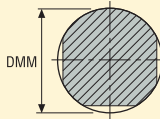
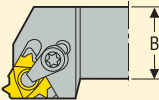


R



X = Special

### 5. Shank width/diameter

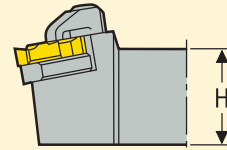


20 = 20 mm  
25 = 25 mm  
etc.

### 2. External/Internal

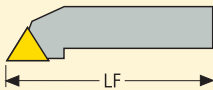
E = External  
N = Internal

### 4. Shank height



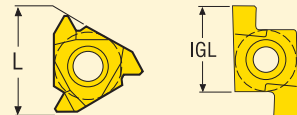
00 = Round toolholders S & C  
25 = 25 mm  
32 = 32 mm  
etc.

### 6. Tool length



H = 100 mm R = 200 mm  
K = 125 mm S = 250 mm  
L = 140 mm T = 300 mm  
M = 150 mm U = 350 mm  
P = 170 mm V = 400 mm  
Q = 180 mm

### 7. Cutting edge length



If the cutting edge length consists of only one digit, the designation should start with a 0.

### 8. Other information

A = Steel with coolant passage  
Q = Toolholder/cranked  
CQ = For mounting upside down

### 9. Other information

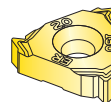
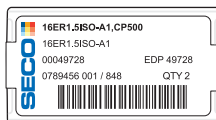
HD = Heavy duty

Example:

Cutting edge length = 16,5 mm  
Symbol = 16  
Cutting edge length = 9,525 mm  
Symbol = 09

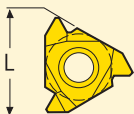


## Inserts



<b>16</b>	<b>E</b>	<b>R</b>	<b>1.5</b>	<b>ISO</b>	<b>-</b>	<b>A1</b>
1	2	3	4	5		6

### 1. Cutting edge length



If the cutting edge length consists of only one digit, the designation should start with a 0.

Example:

Cutting edge length = 16,5 mm  
 Symbol = 16  
 Cutting edge length = 9,525 mm  
 Symbol = 09

### 2. External/Internal

E = External  
 N = Internal

### 3. Cutting direction



X = Special

### 4. Pitch

Full profile mm: (mm)	0,50	1,25	3,00	6,00	
	0,70	1,50	4,00	8,00	
	0,75	1,75	4,50	10,0	
	0,80	2,00	5,00	12,0	
	1,00	2,50	5,50	14,0	
Full profile: (TPI)	48	18	11	6,0	2,5
	40	16	10	5,0	2,0
	32	14	9	4,5	
	24	13	8	4,0	
	20	12	7	3,0	
Partial profile:	A	= 0,50-1,50 mm		48-16 TPI	
	AG	= 0,50-3,00 mm		48-8 TPI	
	G	= 1,75-3,00 mm		14-8 TPI	
	N	= 3,50-5,00 mm		7-5 TPI	
	K	= 5,50-10,00 mm		4,5-2,5 TPI	

### 5. Thread

Thread =	
60	= V profile, 60°
55	= V profile, 55°
ISO	= ISO, Metric
UN	= Am. UN
UNJ	= Am. Aerospace
MJ	= Metr. Aerospace
W	= Whitworth, BSW
BSPT	= Whitworth, Taper
NPT	= Am. NPT
NPTF	= Am. NPTF (Dryseal)
RD	= Round, DIN405
TR	= Trapezoidal, DIN103
ACME	= Am. ACME-G
STACME	= Am. Stub-ACME
API 384	= API V 038R 1:4
API 386	= API V 038R 1:6
API 404	= API V 040 1:4
API 504	= API V 050 1:4
API 506	= API V 050 1:6
API RD	= API Round Casing
BUT 2.5	= Buttress, 1°47'
BUT 2.6	= Buttress, 2°23'
VAM	= VAM Vallourec

### 6. Number of teeth per cutting edge/ Type of chipbreaker

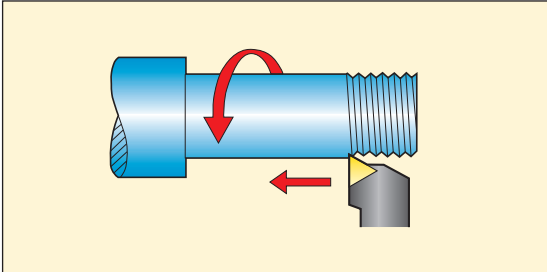
2M = 2 teeth	A = Universal
3M = 3 teeth	A1 = Chipbreaker designation
TT = TWIN THREADER	A2 = Chipbreaker designation

## Threading Wizard™

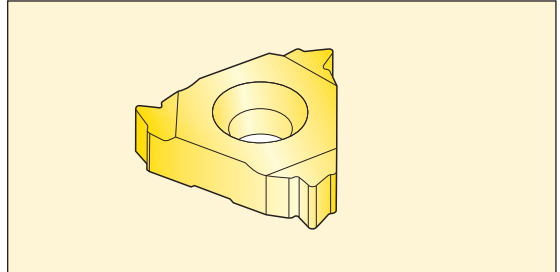
In order to simplify the selection of tools and cutting parameters Seco introduced the Threading Wizard software, which eliminates complicated programming and calculations. The Wizard selects the optimum holder and insert, identifies the best operating parameters and then downloads the information to the CNC machine. The infeed series generated are based on a good control of the OD/ID tolerance for the selected profile. The insert nose radius is relatively small and can be damaged if it is overloaded. The Threading Wizard is free and available at <https://www.secotools.com/#dashboard/Portal/ThreadingWizard>. If not using the Wizard use the selection process below to choose a suitable tool, insert, cutting data and production method.



### 1. Selection of production method, page 9.



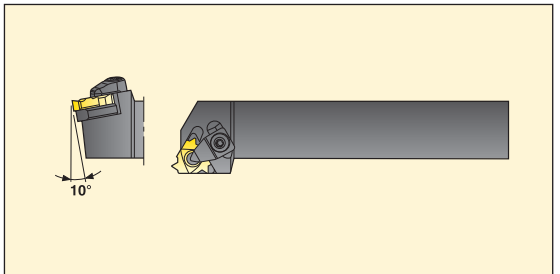
### 2. Selection of insert type, page 10.



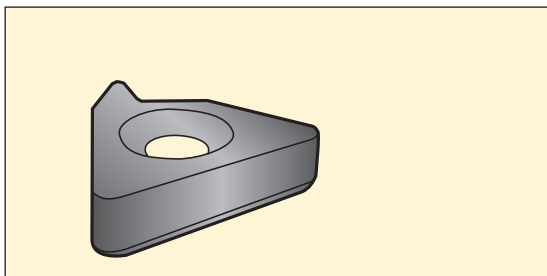
### 3. Selection of grade, page 12.

	ISO														
	P				M				K						
	P01	P10	P20	P30	P40	P50	M10	M20	M30	M40	K01	K10	K20	K30	K40
CP200	○						○								
CP300	○						○								
CP500	○						○								
H15							○								

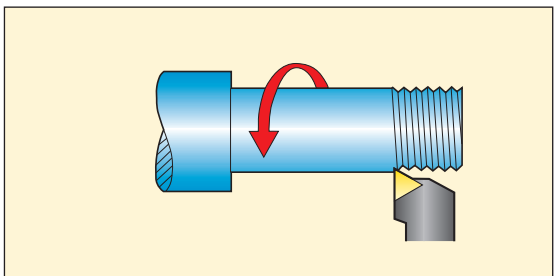
### 4. Selection of toolholder, page 13.



### 5. Selection of insert shim, pages 14-15.



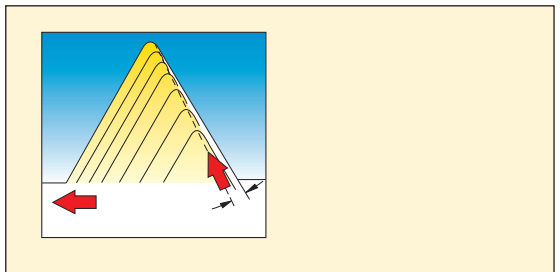
### 6. Selection of cutting speed, pages 16-19.



### 7. Selection of number of passes and infeed depths, pages 20-24.

Lead (mm)	0.8	1.0	1.25	1.6	2.0	2.5	3.2	4.0	5.0	6.3	8.0	10.0	12.5	16.0	20.0	25.0	31.5	40.0	50.0
1	0.08	0.10	0.125	0.16	0.20	0.25	0.32	0.40	0.50	0.63	0.80	1.00	1.25	1.60	2.00	2.50	3.15	4.00	5.00
2	0.16	0.20	0.25	0.32	0.40	0.50	0.63	0.80	1.00	1.25	1.60	2.00	2.50	3.15	4.00	5.00	6.30	8.00	10.00
3	0.24	0.30	0.375	0.48	0.60	0.75	0.96	1.20	1.50	1.80	2.25	2.80	3.50	4.40	5.50	6.80	8.50	10.50	13.00
4	0.32	0.40	0.50	0.63	0.80	1.00	1.25	1.60	2.00	2.50	3.15	4.00	5.00	6.30	8.00	10.00	12.50	16.00	20.00
5	0.40	0.50	0.63	0.80	1.00	1.25	1.60	2.00	2.50	3.15	4.00	5.00	6.30	8.00	10.00	12.50	16.00	20.00	25.00
6	0.48	0.60	0.75	0.96	1.20	1.50	1.80	2.25	2.80	3.50	4.40	5.50	6.80	8.50	10.50	13.00	16.00	20.00	25.00
7	0.56	0.70	0.875	1.10	1.40	1.75	2.20	2.75	3.40	4.20	5.20	6.40	7.90	9.80	12.00	14.50	18.00	22.00	27.00
8	0.64	0.80	1.00	1.25	1.60	2.00	2.50	3.15	4.00	5.00	6.30	8.00	10.00	12.50	16.00	20.00	25.00	31.50	40.00
9	0.72	0.90	1.125	1.40	1.75	2.20	2.75	3.40	4.20	5.20	6.40	7.90	9.80	12.00	14.50	18.00	22.00	27.00	34.00
10	0.80	1.00	1.25	1.60	2.00	2.50	3.15	4.00	5.00	6.30	8.00	10.00	12.50	16.00	20.00	25.00	31.50	40.00	50.00
11	0.88	1.10	1.375	1.70	2.10	2.60	3.30	4.10	5.10	6.30	7.90	9.80	12.00	14.50	18.00	22.00	27.00	34.00	42.00
12	0.96	1.20	1.50	1.90	2.40	3.00	3.70	4.60	5.60	6.90	8.60	10.60	13.00	15.50	19.00	23.00	28.00	35.00	44.00
13	1.04	1.30	1.625	2.00	2.50	3.15	3.90	4.80	5.90	7.20	8.90	10.90	13.50	16.00	19.50	24.00	29.00	36.00	46.00
14	1.12	1.40	1.75	2.20	2.80	3.50	4.30	5.30	6.50	7.90	9.70	11.80	14.50	17.50	21.50	26.00	32.00	40.00	50.00
15	1.20	1.50	1.875	2.40	3.00	3.75	4.60	5.60	6.80	8.30	10.10	12.30	15.00	18.00	22.00	27.00	33.00	42.00	52.00
16	1.28	1.60	2.00	2.50	3.15	3.90	4.80	5.90	7.20	8.70	10.60	12.80	15.50	18.50	22.50	27.50	34.00	44.00	54.00
17	1.36	1.70	2.125	2.70	3.30	4.10	5.00	6.10	7.40	9.00	10.90	13.10	15.80	18.80	22.80	27.80	34.00	44.00	54.00
18	1.44	1.80	2.25	2.90	3.60	4.50	5.50	6.60	8.00	9.70	11.70	14.00	16.80	20.00	24.00	29.00	35.00	45.00	55.00
19	1.52	1.90	2.375	3.10	3.80	4.70	5.80	7.00	8.40	10.10	12.20	14.50	17.40	20.50	24.50	29.50	35.00	45.00	55.00
20	1.60	2.00	2.50	3.20	4.00	5.00	6.10	7.40	8.90	10.70	12.80	15.10	18.00	21.00	25.00	30.00	36.00	46.00	56.00

### 8. Selection of infeed method, page 25.



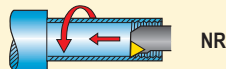
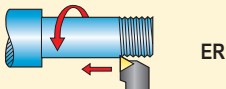
The choice of production method is influenced by e.g.

- Workpiece
  - External or internal thread
  - Right or left hand thread
- Machine
  - Right or left hand tool

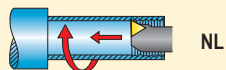
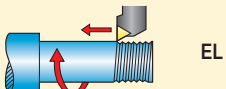
## Threading towards the chuck

- Benefit:**
- Best stability
  - Originally fitted insert shims can be used for most operations
- Note:**
- Chip build-up may occur during internal threading, particularly if there is little space between the threading bar and bore of the hole

### Right-hand thread – Right-hand tool



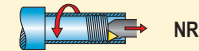
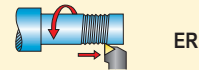
### Left-hand thread – Left-hand tool



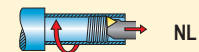
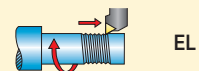
## Threading away from the chuck\*

- Benefit:**
- Chip flow is correctly directed during internal threading
- Note:**
- Secure clamping of the insert and mounting of the toolholder are necessary
- Internal thread-ing:**
- Use only CNR/L toolholders

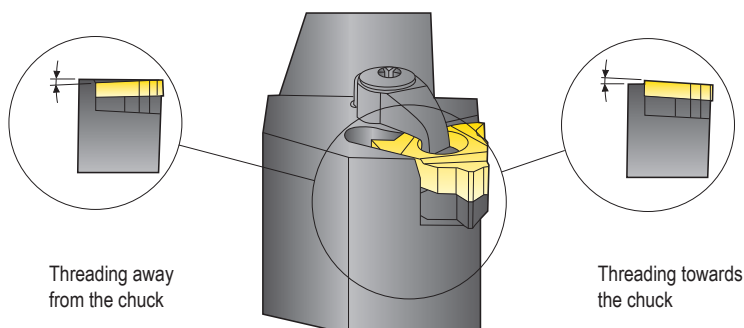
### Left-hand thread – Right-hand tool



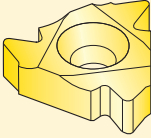
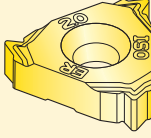
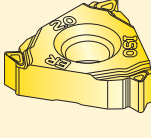
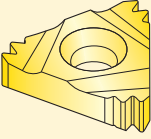

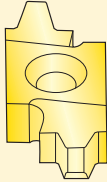
### Right-hand thread – Left-hand tool



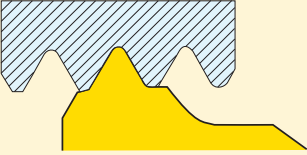
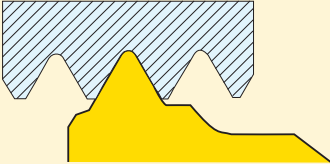
\*Notice that the insert shim must be exchanged when threading away from the chuck.



## For single tooth inserts choose a full profile or partial profile design

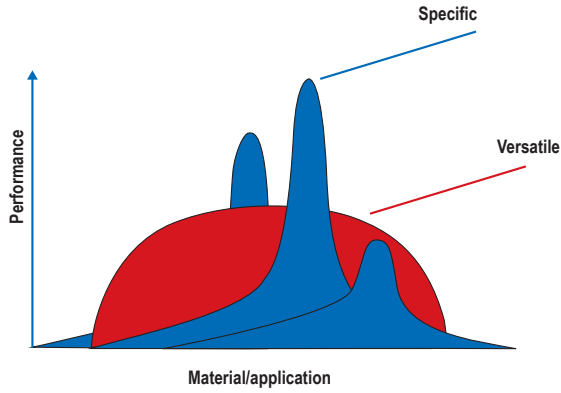
<p><b>Single-tooth insert (Type S) A or Original</b></p>  <p>First choice, can be used for applications in a variety of materials. Low cutting forces.</p>	<p><b>Single-tooth insert (Type S) A1 chipbreaker</b></p>  <p>First choice for general applications in steel.</p>	<p><b>Single-tooth insert (Type S) A2 chipbreaker</b></p>  <p>First choice for general applications in stainless steel.</p>
<p><b>Multi-tooth insert (Type M)</b></p>  <p>First choice for mass production, since fewer passes are necessary. Only for radial infeed. 2M = 2 teeth version 3M = 3 teeth version</p>	<p><b>Multi-tooth insert (TWIN THREADER, TT)</b></p>  <p>Lower cutting forces than M type. Shorter undercut length than M type. Only for radial infeed. Use insert shim for 2M.</p>	<p><b>K insert (Type K)</b></p>  <p>First choice for large/coarse threads.</p>

## For single tooth inserts choose a full profile or partial profile design

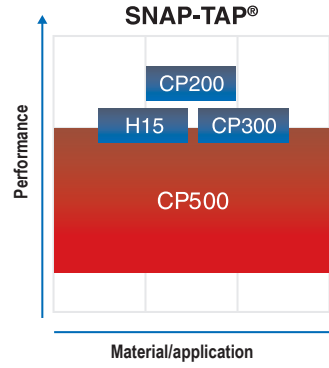
<p><b>Full profile</b></p>  <p>By topping the thread, the workpiece need not be pre-machined to the exact diameter and may be a little oversized. The threading operation is simplified since only one tool is needed for the entire thread (no subsequent deburring is needed).</p>	<p><b>Partial profile</b></p>  <p>Covers a wide range of thread pitches, which simplifies stock-keeping. Requires a correct workpiece diameter prior to threading. The nose radius of the insert is sized to suit the smallest profile within the pitch range of the insert.</p>
--	---

## Thread turning – Insert grades

Product strategy grades



Grade assortment Snap-Tap®



Continuous research and development of better materials, coatings and optimal geometries help fulfil customers requirements. Our product strategy is to provide the market with versatile first choice tools and specific optimized solutions for threading.

## Grades

The black areas in the chart indicate a grade's main ISO application groups and the white areas indicate other supplementary application groups.

	P					M					K					N				S				H				
	P01	P10	P20	P30	P40	P50	M01	M10	M20	M30	M40	K01	K10	K20	K30	K40	N01	N10	N20	N30	S01	S10	S20	S30	H01	H10	H20	H30
CP200		○					●					○									●							
CP300		●							○																			
CP500			●				●					●									●							
H15								○				●						○										

## PVD coated grades

	<b>CP200</b>	First choice for high-strength steel, martensitic stainless steel, cast iron with low hardness, superalloys and titanium alloys. First choice for high cutting speeds. Hard micrograin with sharp edge, highly resistant to plastic deformation. (Ti,Al)N + TiN
	<b>CP300</b>	Wear-resistant grade which is principally intended for high cutting speeds. Optimizing grade in steel and stainless steel. (Ti,Al)N + TiN
	<b>CP500</b>	Universal very tough micrograin grade for all types of threading in most materials. Excellent for stainless steel and difficult operations. (Ti,Al)N + TiN

## Uncoated grades

	<b>H15</b>	First choice for machining normal to hard cast iron. Also suitable for hard steel with a hardness in excess of 350 HB. Micrograin with excellent wear-resistance and sharp edge.
--	------------	--

Use the guidelines below to choose a suitable toolholder type.

## External threading

<p>Basic choice Type C (clamp)</p>	<p>CER/L, PER/L</p>		<p>Insert size 16, 20, 22, 26, 27 With insert shim</p>
	<p>Cx-CER/L</p>		

## Internal threading

<p>Basic choice Type C (clamp)</p>	<p>CNR/L, PNR/L</p>		<p>Insert size 16, 20, 22, 26, 27 With insert shim</p>
	<p>Cx-CNR/L</p>		
	<p>N.B. On 27 mm inserts this angle is 10°</p>		
<p>For small holes Type-S (screw)</p>	<p>SNR/L</p>		<p>Insert sizes 09, 11, 16, 22  (No insert shim. To be used only when threading towards the chuck)</p>

## Originally fitted insert shims

The table below shows the originally fitted insert shims. These insert shims are suitable for most operations when threading towards the chuck.

Toolholder	Clamp		Screw	Jetstream Tooling®	The helix angle can be selected from +5 to -2 by changing the insert shim. The same insert shims are used for both right and left hand holders. The centre height remains constant.
	External and internal threading		Internal threading	External and internal threading	
Insert type	Single-tooth insert (Type S)	Single-tooth insert (Type K)	Single-tooth insert (Type S)	Single-tooth insert (Type S)	<p>To receive the correct shape on the thread and uniform wear on the insert the cutting edge helix angle (<math>\lambda</math>) should be equal to the thread lead angle (<math>\phi</math>).</p>
Insert shim			No insert shim ( $\lambda=2^\circ$ )		
Insert size	16	GX 16-1		GXA16-1	
	20		KX 20-2		
	22	NX22-1		NXA22-1	
	26		KX26-2		
	27	VX27-1		VXA27-1	

SNR/L toolholders have no exchangeable insert shim and can therefore only be used for threading towards the chuck. The table below shows the available insert shim range.

## Insert shim range

Toolholder	Clamp					Jetstream Tooling® Thread Turning		
	External and internal threading					External and internal threading		
Insert type	Multi-tooth insert (Type M)	Single-tooth insert (Type S)		Single-tooth insert (Type K)		Multi-tooth insert (Type M)	Single-tooth insert (Type S)	
Insert shim								
	Threading towards the chuck	Threading towards the chuck	Threading away from the chuck	Threading towards the chuck	Threading away from the chuck	Threading towards the chuck	Threading towards the chuck	Threading away from the chuck
Insert size	16	MX16-1	GX16-0, -1, -2, -3, -4	GX16-0 -99 -98		MXA16-1	GXA16-0, -1, -2, -3, -4	GXA16-0, -99, -98
	20				KX20-0, -1, -2, -3, -4, -5	KX20-0, -99		
	22	MX22-1	NX22-0, -1, -2, -3, -4	NX22-0 -99 -98		MXA22-1	NXA22-0, -1, -2, -3, -4	NXA22-0, -99, -98
	26				KX26-0, -1, -2, -3, -4, -5	KX26-0, -99		
	27	MX27-1	VX27-0, -1, -2, -3, -4	VX27-0 -99 -98		MXA27-1	VXA22-0, -1, -2, -3, -4	VXA27-0, -99, -98

The helix angle ( $\lambda$ ) can also be calculated. See page 26 for formulae.





## SMG – Introduction

The foundation for SMG is a classification of workpiece materials based on their type rather than their relative machinability and consequently it contains workpiece materials like composites. It is comprehensive enough, but still easy to identify to which SMG a particular material belongs.

Each SMG has a specific material standard in a specific condition assigned as reference to allow easy adjustment of cutting data for any actual material compared to any Seco reference material see pages 262 - 265.

As example the reference materials EN C45E for SMG P4 and EN 42 CrMo 4 for both SMG P5 and SMG H5 see further details in the following tables.

In SMG classification of workpiece materials involves a specific material standard in a specific condition assigned as reference for easy and unambiguous adjustment of cutting data for any actual material compared to any Seco reference material. As examples the reference materials EN C45E for SMG P4 and EN 42 CrMo 4 for both SMG P5 and SMG H5 shown below in table 1 where the reference level material property is indicated.

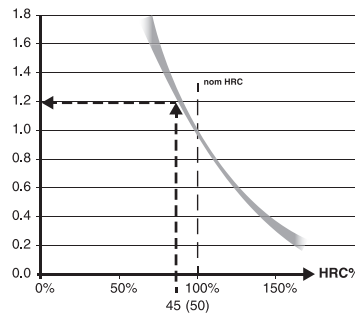
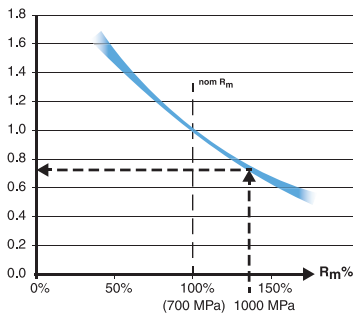
SMG	Description	Properties	Reference	SMG	Description	Properties	Reference
P4	Low-alloy general structural steels, 0.25% < C < 0.67%wt Low-alloy Quench & Temper steels	520 < R <sub>m</sub> < 1200	C 45E R <sub>m</sub> = 660 N/mm <sup>2</sup>	H5	Quenched & Tempered steels	38 < HRC < 56	42 CrMo 4 50 HRC
P5	Structural steels, 0.25% < C < 0.67%wt Quench & Temper steels	550 < R <sub>m</sub> < 1200	42 CrMo 4 R <sub>m</sub> = 700 N/mm <sup>2</sup>				

Focusing specifically on EN 42 CrMo 4 in annealed condition, the ultimate tensile strength R<sub>m</sub> may typically vary between R<sub>m</sub> = 630 N/mm<sup>2</sup> and R<sub>m</sub> = 780 N/mm<sup>2</sup>, which provide a reference level for SMG P5. In Quenched & Tempered condition, the ultimate tensile strength R<sub>m</sub> may typically be between R<sub>m</sub> = 900 N/mm<sup>2</sup> and R<sub>m</sub> = 1100 N/mm<sup>2</sup> thus still belongs to SMG P5. However, if hardened above R<sub>m</sub> = 1200 N/mm<sup>2</sup> it now belongs to SMG H5.

SMG	EN	W.-Nr	AFNOR	BS	UNI	JIS	AISI / ASTM	GOST	Condition	R <sub>m, nom</sub>	HRC <sub>nom</sub>
P5	42 CrMo 4	1.1201	42 CD 4	708 M 40	42 CrMo 4	SCM 440 (H)	4142, 4140	38HM	Annealed	700	
	42 CrMo 4	1.1201	42 CD 4	708 M 40	42 CrMo 4	SCM 440 (H)	4142, 4140	38HM	Quenched & Tempered	1000	
H5	42 CrMo 4	1.1201	42 CD 4	708 M 40	42 CrMo 4	SCM 440 (H)	4142, 4140	38HM	Quenched & Tempered		45
	42 CrMo 4	1.1201	42 CD 4	708 M 40	42 CrMo 4	SCM 440 (H)	4142, 4140	38HM	Quenched & Tempered		50

The EN 42CrMo4 quench & tempered steel could be used to illustrate the machinability dependence of materials' condition.

The graphs below indicate how speed recommendations for a nominal material conditions may be adjusted for relative R<sub>m</sub> (left diagram valid for ISO-P) and for relative HRC (valid for ISO-H).



To further illustrate how the SMG P5 nominal v<sub>c</sub> can be adjusted to a more accurate recommended v<sub>c</sub> we need ultimate tensile strength R<sub>m</sub> data and in this case we use the EN 42 CrMo 4 quenched & tempered to R<sub>m</sub> = 1000 N/mm<sup>2</sup> according to above table (bold blue arrows).

Assume that we find that the SMG P5 nominal v<sub>c</sub> = 280 m/min for a certain product and machining.

Then, actual recommended v<sub>c</sub> = 280 m/min x 0,75 = 210 m/min.

Consequently in the SMG H5 the nominal v<sub>c</sub> can be adjusted using the hardened EN 42 CrMo 4 at HRC 45 (smaller grey arrows).

Assume that the SMG H5 nominal v<sub>c</sub> = 50 m/min for a certain product and machining using a coated cemented carbide tool then, actual recommended v<sub>c</sub> = 50 m/min x 1,2 = 60 m/min.

For further workpiece material details please see page(s) 266-273 and suggested cutting data at applicable pages.

For more convenient cutting data handling we recommend applicable tools in My Pages – Suggest on [www.secotools.com](http://www.secotools.com)

## Cutting speed

Use the SMG tables to classify the workpiece material. Use the table below to choose cutting speed.

SMG	$v_c$			
	CP200	CP300	CP500	H15
P1	—	275	205	—
P2	—	270	200	—
P3	—	230	170	—
P4	—	205	150	—
P5	—	195	145	—
P6	—	220	165	—
P7	—	205	155	—
P8	—	195	145	—
P11	—	200	150	—
P12	—	120	90	—
M1	150	—	135	100
M2	120	—	110	80
M3	90	—	85	60
M4	70	—	65	—
M5	55	—	50	—
K1	130	—	120	105
K2	110	—	105	95
K3	95	—	90	80
K4	90	—	85	75
K5	55	—	50	—
K6	80	—	75	—
K7	70	—	65	—
N1	—	—	—	255
N2	—	—	—	165
N3	—	—	—	110
N11	—	—	—	150
S1	20	—	20	—
S2	15	—	15	—
S3	15	—	15	—
S11	46	—	39	—
S12	35	—	30	—
S13	27	—	23	—

Cutting speeds ( $v_c$ ) in the table are recommendations for a start value.

Due to machine, material and setup condition it is advisable to optimize cutting data.

Recommended ranges to use for each grade is CP200, CP300, CP500 and H15 +/-15%

SMG=Seco Material Group

$v_c$  = Cutting speed (m/min)

Note that there is a fixed relationship between rotational speed and feed rate in threading.

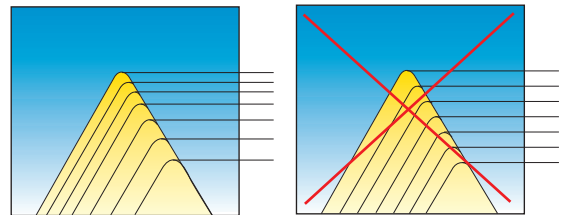
Check that the chosen cutting speed does not result in a too high feed speed.

## Number of passes and infeed depths

A thread cannot be made in one cut because of the relatively brittle cutting edge. The total cutting depth must be divided into several passes. Those passes should all have similar cutting forces (equal chip areas), see figures.

Use the tables on page 20-24 to find recommendations for number of passes and infeed depths. The tables give basic recommendations and are applicable on all geometries - Original, A, A1 and A2.

- The infeed series given is based on a good control of the OD/ID tolerances for the selected profile.
- If insert fracture should occur, the number of passes should be increased.
- The infeed depth should not be less than 0,05 mm/pass.



- On stainless steel, the infeed depth per pass should be greater than 0,08 mm.
- The recommendations can also be used for part-profile inserts. The number of passes should then, in most cases, be increased.
- The threading insert nose radius is relatively small and can easily be damaged if it is overloaded.

## Seco Threading Wizard™

In order to simplify the selection of tools and cutting parameters Seco introduced the Threading Wizard software, which eliminates complicated programming and calculations.

The Wizard selects the optimum holder and insert, identifies the best operating parameters and then creates CNC program for download.

The infeed series generated are based on a good control of the OD/ID tolerance for the selected profile. The insert nose radius is relatively small and can be damaged if it is overloaded.

The Threading Wizard is free and available at <https://www.secotools.com/#dashboard/Portal/ThreadingWizard>.

## Cutting speed – MDT

Use the SMG tables to classify the workpiece material. Use the table below to choose cutting speed.

SMG	$v_c$
	CP500
P1	155
P2	150
P3	130
P4	115
P5	110
P6	125
P7	115
P8	110
P11	115
P12	65
M1	135
M2	110
M3	85
M4	65
M5	50
K1	130
K2	110
K3	95
K4	90
K5	55
K6	80
K7	70
N1	—
N2	—
N3	—
N11	85
S1	21
S2	17
S3	15
S11	—
S12	—
S13	—

SMG = Seco Material Group

$v_c$  = m/min

Cutting speeds ( $v_c$ ) in the table are recommendations for a start value.

Due to machine, material and setup condition it is advisable to optimize cutting data. Recommended ranges to use for CP500 +/-15%

## Cutting speed – Mini Shaft

Use the SMG tables to classify the workpiece material. Use the table below to choose cutting speed.

SMG	$v_c$
	CP500
P1	155
P2	150
P3	130
P4	115
P5	110
P6	125
P7	115
P8	110
P11	115
P12	65
M1	80
M2	65
M3	50
M4	37
M5	31
K1	150
K2	130
K3	110
K4	105
K5	60
K6	90
K7	80
N1	—
N2	—
N3	—
N11	95
S1	19
S2	15
S3	13

SMG = Seco Material Group

$v_c$  = m/min

Cutting speeds ( $v_c$ ) in the table are recommendations for a start value.

Due to machine, material and setup condition it is advisable to optimize cutting data. Recommended ranges to use for CP500 +/-15%

# Thread turning – Cutting data

## Number of passes and infeed depths

### External ISO-metric threads

Ph	6.0	5.5	5.0	4.5	4.0	3.5	3.0	2.5	2.0	1.75	1.5	1.25	1.0	0.80	0.75	0.50
a <sub>p</sub>	3,82	3,52	3,19	2,87	2,53	2,23	1,92	1,60	1,25	1,13	0,93	0,81	0,65	0,52	0,48	0,33
1	0,46	0,43	0,41	0,37	0,34	0,34	0,28	0,27	0,24	0,22	0,22	0,21	0,18	0,17	0,16	0,11
2	0,43	0,40	0,39	0,34	0,32	0,31	0,26	0,24	0,22	0,20	0,20	0,17	0,16	0,15	0,14	0,09
3	0,35	0,32	0,32	0,28	0,25	0,25	0,21	0,20	0,18	0,17	0,17	0,14	0,12	0,12	0,11	0,07
4	0,30	0,28	0,27	0,24	0,22	0,21	0,18	0,17	0,16	0,14	0,14	0,11	0,11	0,08	0,07	0,06
5	0,29	0,26	0,24	0,22	0,20	0,18	0,16	0,15	0,14	0,12	0,12	0,10	0,08	-	-	-
6	0,26	0,24	0,24	0,22	0,18	0,18	0,15	0,15	0,12	0,10	0,08	0,08	-	-	-	-
7	0,24	0,21	0,22	0,20	0,17	0,16	0,14	0,12	0,11	0,10	-	-	-	-	-	-
8	0,23	0,20	0,20	0,18	0,15	0,15	0,13	0,11	0,08	0,08	-	-	-	-	-	-
9	0,22	0,19	0,19	0,17	0,14	0,14	0,12	0,11	-	-	-	-	-	-	-	-
10	0,19	0,18	0,18	0,16	0,13	0,12	0,12	0,08	-	-	-	-	-	-	-	-
11	0,18	0,17	0,16	0,14	0,12	0,11	0,10	-	-	-	-	-	-	-	-	-
12	0,16	0,15	0,15	0,13	0,12	0,08	0,08	-	-	-	-	-	-	-	-	-
13	0,15	0,14	0,12	0,12	0,11	-	-	-	-	-	-	-	-	-	-	-
14	0,13	0,13	0,10	0,10	0,08	-	-	-	-	-	-	-	-	-	-	-
15	0,13	0,12	-	-	-	-	-	-	-	-	-	-	-	-	-	-
16	0,10	0,10	-	-	-	-	-	-	-	-	-	-	-	-	-	-

### Internal ISO-metric threads

Ph	6.0	5.5	5.0	4.5	4.0	3.5	3.0	2.5	2.0	1.75	1.5	1.25	1.0	0.80	0.75	0.50
a <sub>p</sub>	3,54	3,25	2,96	2,65	2,33	2,05	1,78	1,48	1,17	1,05	0,85	0,75	0,60	0,49	0,46	0,31
1	0,46	0,43	0,42	0,37	0,34	0,32	0,28	0,26	0,23	0,22	0,20	0,17	0,17	0,17	0,16	0,10
2	0,43	0,40	0,40	0,34	0,31	0,30	0,26	0,25	0,21	0,20	0,18	0,17	0,15	0,14	0,13	0,08
3	0,35	0,33	0,32	0,28	0,24	0,24	0,21	0,18	0,17	0,15	0,15	0,14	0,11	0,11	0,10	0,07
4	0,30	0,26	0,26	0,23	0,21	0,19	0,16	0,15	0,15	0,13	0,13	0,10	0,09	0,07	0,07	0,06
5	0,26	0,22	0,22	0,21	0,18	0,17	0,14	0,13	0,12	0,10	0,11	0,09	0,08	-	-	-
6	0,22	0,20	0,20	0,19	0,15	0,15	0,13	0,12	0,11	0,09	0,08	0,08	-	-	-	-
7	0,20	0,18	0,17	0,16	0,14	0,14	0,12	0,11	0,10	0,08	-	-	-	-	-	-
8	0,19	0,17	0,16	0,15	0,13	0,13	0,11	0,10	0,08	0,08	-	-	-	-	-	-
9	0,18	0,16	0,16	0,14	0,12	0,12	0,10	0,10	-	-	-	-	-	-	-	-
10	0,16	0,15	0,15	0,13	0,12	0,11	0,10	0,08	-	-	-	-	-	-	-	-
11	0,15	0,14	0,14	0,12	0,11	0,10	0,09	-	-	-	-	-	-	-	-	-
12	0,15	0,14	0,14	0,12	0,10	0,08	0,08	-	-	-	-	-	-	-	-	-
13	0,14	0,13	0,12	0,11	0,10	-	-	-	-	-	-	-	-	-	-	-
14	0,13	0,12	0,10	0,10	0,08	-	-	-	-	-	-	-	-	-	-	-
15	0,12	0,12	-	-	-	-	-	-	-	-	-	-	-	-	-	-
16	0,10	0,10	-	-	-	-	-	-	-	-	-	-	-	-	-	-

### External/Internal Whitworth threads

TPI	4.0	4.5	5	6	7	8	9	10	11	12	14	16	18	19	20	26	28
a <sub>p</sub>	4,29	3,82	3,44	2,90	2,50	2,17	1,93	1,76	1,58	1,45	1,20	1,13	1,01	0,96	0,92	0,72	0,69
1	0,49	0,46	0,45	0,38	0,37	0,32	0,30	0,29	0,28	0,28	0,24	0,24	0,23	0,22	0,21	0,19	0,18
2	0,46	0,43	0,43	0,36	0,35	0,30	0,28	0,27	0,26	0,26	0,22	0,22	0,22	0,22	0,21	0,18	0,17
3	0,38	0,38	0,38	0,30	0,29	0,24	0,23	0,22	0,22	0,22	0,18	0,19	0,19	0,18	0,17	0,15	0,14
4	0,36	0,33	0,32	0,26	0,25	0,21	0,20	0,19	0,19	0,18	0,15	0,16	0,16	0,14	0,14	0,12	0,12
5	0,34	0,29	0,28	0,22	0,22	0,19	0,18	0,17	0,16	0,16	0,13	0,13	0,13	0,12	0,11	0,08	0,08
6	0,31	0,25	0,25	0,21	0,19	0,17	0,15	0,15	0,14	0,14	0,11	0,11	0,08	0,08	0,08	-	-
7	0,29	0,24	0,22	0,19	0,18	0,15	0,14	0,14	0,13	0,13	0,09	0,08	-	-	-	-	-
8	0,27	0,22	0,20	0,17	0,16	0,14	0,13	0,13	0,12	0,08	0,08	-	-	-	-	-	-
9	0,24	0,20	0,19	0,16	0,15	0,13	0,12	0,12	0,08	-	-	-	-	-	-	-	-
10	0,22	0,18	0,18	0,15	0,14	0,12	0,12	0,08	-	-	-	-	-	-	-	-	-
11	0,20	0,17	0,17	0,14	0,12	0,12	0,08	-	-	-	-	-	-	-	-	-	-
12	0,19	0,16	0,15	0,14	0,08	0,08	-	-	-	-	-	-	-	-	-	-	-
13	0,17	0,15	0,12	0,12	-	-	-	-	-	-	-	-	-	-	-	-	-
14	0,15	0,14	0,10	0,10	-	-	-	-	-	-	-	-	-	-	-	-	-
15	0,12	0,12	-	-	-	-	-	-	-	-	-	-	-	-	-	-	-
16	0,10	0,10	-	-	-	-	-	-	-	-	-	-	-	-	-	-	-

Ph = Lead (mm)  
 a<sub>p</sub> = Total infeed depth (mm)  
 TPI = Threads per inch

Recommendations are for steel with a hardness < 300 HB

## Number of passes and infeed depths

### External UN threads

TPI	4.0	4.5	5	6	7	8	9	10	11	12	13	14	16	18	20	24	28	32
$a_p$	4,07	3,62	3,29	2,71	2,33	2,08	1,84	1,66	1,52	1,39	1,29	1,19	1,05	0,94	0,84	0,70	0,60	0,53
1	0,47	0,45	0,43	0,36	0,35	0,30	0,28	0,27	0,27	0,27	0,25	0,23	0,22	0,23	0,20	0,19	0,17	0,17
2	0,44	0,41	0,40	0,34	0,33	0,28	0,26	0,26	0,25	0,26	0,24	0,22	0,21	0,21	0,19	0,17	0,15	0,15
3	0,40	0,39	0,36	0,27	0,26	0,25	0,21	0,20	0,20	0,20	0,18	0,17	0,16	0,16	0,15	0,14	0,11	0,13
4	0,36	0,31	0,31	0,23	0,22	0,21	0,20	0,17	0,19	0,18	0,17	0,15	0,14	0,14	0,12	0,12	0,09	0,08
5	0,32	0,26	0,26	0,22	0,21	0,18	0,17	0,16	0,16	0,15	0,14	0,13	0,13	0,12	0,10	0,08	0,08	-
6	0,27	0,23	0,23	0,20	0,19	0,16	0,15	0,15	0,14	0,13	0,12	0,11	0,11	0,08	0,08	-	-	-
7	0,25	0,21	0,20	0,18	0,17	0,14	0,14	0,14	0,12	0,12	0,11	0,10	0,08	-	-	-	-	-
8	0,23	0,20	0,19	0,16	0,15	0,13	0,12	0,12	0,11	0,08	0,08	0,08	-	-	-	-	-	-
9	0,22	0,18	0,19	0,15	0,14	0,12	0,12	0,11	0,08	-	-	-	-	-	-	-	-	-
10	0,21	0,17	0,18	0,14	0,12	0,12	0,11	0,08	-	-	-	-	-	-	-	-	-	-
11	0,19	0,16	0,17	0,13	0,11	0,11	0,08	-	-	-	-	-	-	-	-	-	-	-
12	0,18	0,15	0,15	0,12	0,08	0,08	-	-	-	-	-	-	-	-	-	-	-	-
13	0,16	0,14	0,12	0,11	-	-	-	-	-	-	-	-	-	-	-	-	-	-
14	0,15	0,14	0,10	0,10	-	-	-	-	-	-	-	-	-	-	-	-	-	-
15	0,12	0,12	-	-	-	-	-	-	-	-	-	-	-	-	-	-	-	-
16	0,10	0,10	-	-	-	-	-	-	-	-	-	-	-	-	-	-	-	-

### Internal UN threads

TPI	4	4.5	5	6	7	8	9	10	11	12	13	14	16	18	20	24	28	32
$a_p$	3,74	3,32	2,99	2,46	2,13	1,88	1,66	1,49	1,36	1,25	1,14	1,06	0,93	0,84	0,76	0,64	0,56	0,49
1	0,44	0,41	0,42	0,35	0,34	0,30	0,28	0,27	0,27	0,27	0,25	0,23	0,22	0,23	0,20	0,18	0,17	0,17
2	0,41	0,38	0,38	0,33	0,32	0,28	0,26	0,25	0,23	0,23	0,20	0,18	0,18	0,17	0,16	0,15	0,14	0,14
3	0,39	0,34	0,33	0,25	0,24	0,22	0,19	0,18	0,18	0,18	0,15	0,14	0,14	0,14	0,13	0,13	0,09	0,10
4	0,33	0,28	0,27	0,21	0,21	0,18	0,16	0,15	0,15	0,15	0,13	0,13	0,12	0,12	0,10	0,10	0,08	0,08
5	0,28	0,23	0,23	0,18	0,17	0,15	0,14	0,13	0,13	0,13	0,12	0,11	0,10	0,10	0,09	0,08	0,08	-
6	0,24	0,20	0,20	0,16	0,15	0,13	0,13	0,12	0,11	0,11	0,10	0,10	0,09	0,08	0,08	-	-	-
7	0,22	0,19	0,18	0,15	0,14	0,12	0,12	0,11	0,11	0,10	0,10	0,09	0,08	-	-	-	-	-
8	0,21	0,18	0,17	0,14	0,13	0,11	0,11	0,10	0,10	0,08	0,08	0,08	-	-	-	-	-	-
9	0,20	0,17	0,16	0,13	0,12	0,11	0,10	0,10	0,08	-	-	-	-	-	-	-	-	-
10	0,18	0,16	0,15	0,12	0,12	0,10	0,09	0,08	-	-	-	-	-	-	-	-	-	-
11	0,17	0,15	0,14	0,12	0,11	0,10	0,08	-	-	-	-	-	-	-	-	-	-	-
12	0,16	0,14	0,14	0,11	0,08	0,08	-	-	-	-	-	-	-	-	-	-	-	-
13	0,15	0,14	0,12	0,11	-	-	-	-	-	-	-	-	-	-	-	-	-	-
14	0,14	0,13	0,10	0,10	-	-	-	-	-	-	-	-	-	-	-	-	-	-
15	0,12	0,12	-	-	-	-	-	-	-	-	-	-	-	-	-	-	-	-
16	0,10	0,10	-	-	-	-	-	-	-	-	-	-	-	-	-	-	-	-

### External multi-tooth inserts

Type	ISO Metric						UN						Whitworth		NPT		
	3M	2M	3M	2M	3M	2M	2M	3M	2M	3M	2M	2M		2M	3M	2M	
Ph (mm)	1,0	1,5	1,5	2,0	2,0	3,0	-	-	-	-	-	-	-	-	-	-	-
TPI	-	-	-	-	-	-	16	16	12	12	8	11	-	-	11,5	11,5	8
$a_p$ (mm)	0,65	0,93	0,93	1,25	1,25	1,92	1,05	1,05	1,39	1,39	2,08	1,58	-	1,76	1,76	2,54	
Pass 1 (mm)	0,36	0,43	0,56	0,57	0,75	0,65	0,49	0,64	0,64	0,84	0,70	0,73	-	0,59	0,81	0,88	
2	0,29	0,30	0,37	0,40	0,50	0,53	0,33	0,41	0,44	0,55	0,57	0,50	-	0,50	0,57	0,64	
3	-	0,20	-	0,28	-	0,42	0,23	-	0,31	-	0,46	0,35	-	0,37	0,38	0,57	
4	-	-	-	-	-	0,32	-	-	-	-	0,35	-	-	0,30	-	0,45	

### Internal multi-tooth inserts

Type	ISO Metric						UN						Whitworth		NPT		
	3M	2M	3M	2M	3M	2M	2M	3M	2M	3M	2M	2M		2M	3M	2M	
Ph (mm)	1,0	1,5	1,5	2,0	2,0	3,0	-	-	-	-	-	-	-	-	-	-	-
TPI	-	-	-	-	-	-	16	16	12	12	8	11	-	-	11,5	11,5	8
$a_p$ (mm)	0,60	0,85	0,85	1,17	1,17	1,78	0,93	0,93	1,25	1,25	1,88	1,58	-	1,76	1,76	2,54	
Pass 1 (mm)	0,33	0,38	0,51	0,51	0,70	0,55	0,42	0,56	0,56	0,75	0,58	0,73	-	0,59	0,81	0,88	
2	0,27	0,27	0,34	0,38	0,47	0,49	0,30	0,37	0,40	0,50	0,51	0,50	-	0,50	0,57	0,64	
3	-	0,20	-	0,28	-	0,42	0,21	-	0,29	-	0,44	0,35	-	0,37	0,38	0,57	
4	-	-	-	-	-	0,32	-	-	-	-	0,35	-	-	0,30	-	0,45	

## Number of passes and infeed depths

### External/Internal NPT threads

TPI	8	11,5	14	18	27
$a_p$	2,54	1,76	1,45	1,12	0,75
1	0,28	0,25	0,24	0,22	0,19
2	0,25	0,22	0,22	0,18	0,15
3	0,22	0,18	0,17	0,15	0,13
4	0,19	0,16	0,15	0,14	0,11
5	0,18	0,16	0,14	0,13	0,09
6	0,18	0,14	0,13	0,12	0,08
7	0,17	0,14	0,12	0,10	-
8	0,17	0,12	0,10	0,08	-
9	0,16	0,12	0,10	-	-
10	0,16	0,10	0,08	-	-
11	0,14	0,09	-	-	-
12	0,13	0,08	-	-	-
13	0,12	-	-	-	-
14	0,11	-	-	-	-
15	0,08	-	-	-	-

### External Round DIN 405

TPI	4	6	8	10
$a_p$	3,43	2,23	1,73	1,40
1	0,44	0,33	0,29	0,26
2	0,40	0,29	0,26	0,25
3	0,34	0,25	0,21	0,23
4	0,32	0,23	0,19	0,20
5	0,28	0,20	0,18	0,16
6	0,26	0,18	0,16	0,12
7	0,24	0,16	0,14	0,10
8	0,22	0,15	0,12	0,08
9	0,20	0,14	0,10	-
10	0,19	0,12	0,08	-
11	0,17	0,10	-	-
12	0,15	0,08	-	-
13	0,12	-	-	-
14	0,10	-	-	-

### Internal Round DIN 405

TPI	4	6	8	10
$a_p$	3,59	2,44	1,66	1,49
1	0,46	0,38	0,26	0,27
2	0,43	0,34	0,22	0,26
3	0,40	0,30	0,21	0,25
4	0,35	0,25	0,19	0,22
5	0,30	0,21	0,18	0,18
6	0,26	0,19	0,16	0,13
7	0,24	0,17	0,14	0,10
8	0,22	0,16	0,12	0,08
9	0,20	0,14	0,10	-
10	0,19	0,12	0,08	-
11	0,17	0,10	-	-
12	0,15	0,08	-	-
13	0,12	-	-	-
14	0,10	-	-	-

TPI = Threads per Inch

$a_p$  = Total infeed depth (mm)

Recommendations are for steel with a hardness < 300 HB



## Number of passes and infeed depths

### External TR thread

Ph	14.0	12.0	10.0	9.0	8.0	7.0	6.0	5.0	4.0	3.0	2.0	1.5
$a_p$	8,2	6,72	5,7	5,16	4,68	4,17	3,66	2,89	2,38	1,83	1,33	0,97
1	0,40	0,38	0,38	0,38	0,37	0,37	0,37	0,34	0,31	0,27	0,25	0,23
2	0,37	0,36	0,36	0,35	0,35	0,34	0,35	0,33	0,28	0,25	0,24	0,22
3	0,36	0,34	0,34	0,34	0,34	0,33	0,32	0,27	0,24	0,21	0,20	0,18
4	0,36	0,34	0,34	0,33	0,33	0,31	0,29	0,25	0,20	0,17	0,17	0,14
5	0,35	0,32	0,32	0,31	0,31	0,29	0,27	0,23	0,19	0,15	0,14	0,12
6	0,35	0,32	0,32	0,30	0,29	0,26	0,25	0,21	0,18	0,13	0,13	0,08
7	0,34	0,30	0,31	0,29	0,28	0,26	0,23	0,20	0,16	0,13	0,11	–
8	0,34	0,30	0,29	0,28	0,27	0,26	0,22	0,20	0,15	0,12	0,09	–
9	0,34	0,30	0,28	0,26	0,25	0,24	0,22	0,18	0,15	0,12	–	–
10	0,33	0,29	0,27	0,25	0,24	0,23	0,20	0,16	0,15	0,10	–	–
11	0,33	0,29	0,25	0,24	0,23	0,22	0,18	0,15	0,14	0,10	–	–
12	0,32	0,29	0,24	0,23	0,21	0,22	0,17	0,14	0,13	0,08	–	–
13	0,32	0,28	0,23	0,22	0,20	0,20	0,17	0,13	0,10	–	–	–
14	0,31	0,27	0,22	0,21	0,19	0,19	0,16	0,10	–	–	–	–
15	0,31	0,25	0,22	0,21	0,19	0,17	0,14	–	–	–	–	–
16	0,30	0,25	0,20	0,19	0,18	0,16	0,12	–	–	–	–	–
17	0,30	0,24	0,19	0,18	0,17	0,12	–	–	–	–	–	–
18	0,29	0,22	0,18	0,16	0,15	–	–	–	–	–	–	–
19	0,28	0,20	0,17	0,15	0,13	–	–	–	–	–	–	–
20	0,27	0,20	0,16	0,15	–	–	–	–	–	–	–	–
21	0,23	0,19	0,15	0,13	–	–	–	–	–	–	–	–
22	0,23	0,18	0,15	–	–	–	–	–	–	–	–	–
23	0,21	0,17	0,13	–	–	–	–	–	–	–	–	–
24	0,19	0,16	–	–	–	–	–	–	–	–	–	–
25	0,17	0,15	–	–	–	–	–	–	–	–	–	–
26	0,16	0,13	–	–	–	–	–	–	–	–	–	–
27	0,16	–	–	–	–	–	–	–	–	–	–	–
28	0,15	–	–	–	–	–	–	–	–	–	–	–
29	0,13	–	–	–	–	–	–	–	–	–	–	–

### Internal TR threads

Ph	14.0	12.0	10.0	9.0	8.0	7.0	6.0	5.0	4.0	3.0	2.0	1.5
$a_p$	8,47	6,71	5,7	5,19	4,68	4,17	3,65	2,89	2,38	1,85	1,34	0,98
1	0,40	0,38	0,38	0,38	0,37	0,37	0,37	0,34	0,31	0,27	0,25	0,23
2	0,37	0,36	0,36	0,35	0,35	0,34	0,34	0,33	0,28	0,25	0,24	0,22
3	0,36	0,34	0,34	0,34	0,34	0,33	0,32	0,27	0,24	0,22	0,21	0,19
4	0,36	0,34	0,34	0,33	0,33	0,31	0,29	0,25	0,20	0,17	0,17	0,14
5	0,35	0,32	0,32	0,31	0,31	0,29	0,27	0,23	0,19	0,15	0,14	0,12
6	0,35	0,32	0,32	0,31	0,29	0,26	0,25	0,21	0,18	0,14	0,13	0,08
7	0,34	0,30	0,31	0,29	0,28	0,26	0,23	0,20	0,16	0,13	0,11	–
8	0,34	0,30	0,29	0,29	0,27	0,26	0,22	0,20	0,15	0,12	0,09	–
9	0,34	0,30	0,28	0,26	0,25	0,24	0,22	0,18	0,15	0,12	–	–
10	0,33	0,29	0,27	0,25	0,24	0,23	0,20	0,16	0,15	0,10	–	–
11	0,33	0,29	0,25	0,24	0,23	0,22	0,18	0,15	0,14	0,10	–	–
12	0,32	0,28	0,24	0,23	0,21	0,22	0,17	0,14	0,13	0,08	–	–
13	0,32	0,28	0,23	0,22	0,20	0,20	0,17	0,13	0,10	–	–	–
14	0,31	0,27	0,22	0,21	0,19	0,19	0,16	0,10	–	–	–	–
15	0,31	0,25	0,22	0,21	0,19	0,17	0,14	–	–	–	–	–
16	0,30	0,25	0,20	0,19	0,18	0,16	0,12	–	–	–	–	–
17	0,30	0,24	0,19	0,18	0,17	0,12	–	–	–	–	–	–
18	0,29	0,22	0,18	0,16	0,15	–	–	–	–	–	–	–
19	0,28	0,20	0,17	0,15	0,13	–	–	–	–	–	–	–
20	0,27	0,20	0,16	0,15	–	–	–	–	–	–	–	–
21	0,23	0,19	0,15	0,13	–	–	–	–	–	–	–	–
22	0,23	0,18	0,15	–	–	–	–	–	–	–	–	–
23	0,21	0,17	0,13	–	–	–	–	–	–	–	–	–
24	0,19	0,16	–	–	–	–	–	–	–	–	–	–
25	0,17	0,15	–	–	–	–	–	–	–	–	–	–
26	0,16	0,13	–	–	–	–	–	–	–	–	–	–
27	0,16	–	–	–	–	–	–	–	–	–	–	–
28	0,15	–	–	–	–	–	–	–	–	–	–	–
29	0,13	–	–	–	–	–	–	–	–	–	–	–
30	0,13	–	–	–	–	–	–	–	–	–	–	–

$a_p$  = Total infeed depth (mm) Recommendations are for steel with a hardness < 300 HB

## Number of passes and infeed depths, multi-tooth insert TWIN THREADER, TT

### External 60° threads.

Ph (mm)	2.0	1.5	1.0
a <sub>p</sub> (mm)	1,25	0,93	0,65
Pass 1 (mm)	0,25	0,22	0,22
2	0,36	0,31	0,25
3	0,25	0,22	0,18
4	0,21	0,18	–
5	0,18	–	–

### Internal 60° threads

Ph (mm)	2.0	1.5	1.0
a <sub>p</sub> (mm)	1,17	0,85	0,60
Pass 1 (mm)	0,23	0,20	0,19
2	0,34	0,27	0,23
3	0,23	0,20	0,18
4	0,19	0,18	–
5	0,18	–	–

### External and internal Whitworth and BSPT threads

TPI	11	14
a <sub>p</sub> (mm)	1,58	1,20
Pass 1 (mm)	0,26	0,22
2	0,38	0,35
3	0,27	0,24
4	0,25	0,21
5	0,22	0,18
6	0,20	–

### External UN threads

TPI	12	16
a <sub>p</sub> (mm)	1,39	1,05
Pass 1 (mm)	0,28	0,25
2	0,38	0,36
3	0,28	0,26
4	0,25	0,18
5	0,20	–

### Internal UN threads

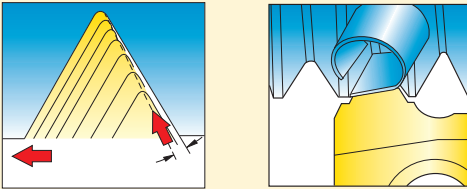
TPI	12	16
a <sub>p</sub> (mm)	1,25	0,93
Pass 1 (mm)	0,24	0,21
2	0,35	0,32
3	0,25	0,22
4	0,22	0,18
5	0,19	–

## Infeed method

The choice of infeed method is most important for long chipping materials to ensure good chip control.

### Modified flank infeed

For CNC machines and conventional machines



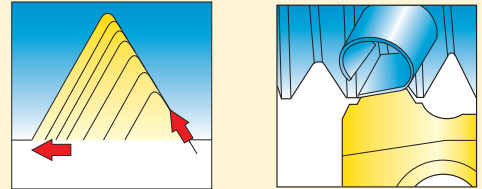
#### First choice for CNC machines

The infeed angle should be 2,5–5% less than the flank angle

- Good chip control (important for internal threading)
- Good surface finish on thread
- Long tool life

### Flank infeed

For CNC machines and conventional machines

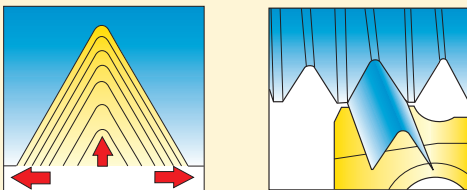


#### Choose flank infeed when modified flank infeed cannot be used

- Good chip control
- Can result in bad surface on thread
- Not suitable for work hardening materials

### Radial infeed

For conventional machines and multi-tooth inserts

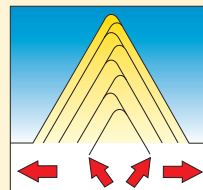


#### Multitooth inserts demand radial infeed First choice for work hardening materials

- Difficult to control the chip
- High cutting forces

### Alternate flank infeed

For CNC machines



#### First choice for large coarse threads

- Long tool life
- Chipbreaking problems can arise

## Nomenclature and formulae

RPM

$$n = \frac{v_c \cdot 1000}{\pi \cdot D_c} \quad (\text{rev/min})$$

Cutting speed

$$v_c = \frac{n \cdot \pi \cdot D_c}{1000} \quad (\text{m/min})$$

Slide velocity/  
feed rate

$$v_f = \frac{n \cdot P_h}{1000} \quad (\text{m/min})$$

Lead

$$P_h = P \cdot \text{numbers of starts} \quad (\text{mm})$$

Helix angle

$$\lambda = \arctan \frac{P_h}{D_2 \cdot \pi} \quad (^\circ)$$

Conversion of  
P to TPI

$$\text{TPI} = \frac{25,4}{P}$$

$D_c$  = Workpiece diameter (mm)

$D_2$  = Pitch diameter (mean diameter) (mm)

$n$  = RPM (rev/min)

$P$  = Pitch (mm)

$P_h$  = Lead (mm)

$v_f$  = Slide velocity (feed rate) (m/min)

TPI = Number of threads per inch

$v_c$  = Cutting speed (m/min)

$\lambda$  = Helix angle ( $^\circ$ )

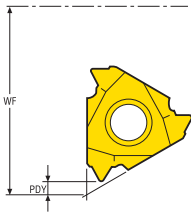
It is often necessary to cut internal threads which are too small to be made with a standard toolholder.

Several standard internal toolholders can be modified by a simple reworking so that threads can be cut in approximately 30% smaller bores.

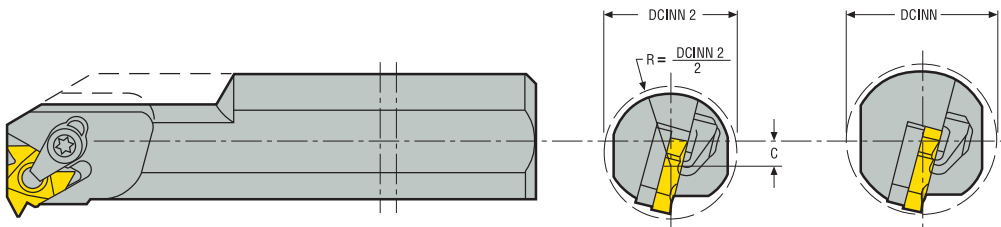
This modification work can be made on an lathe with a four-jaw chuck. In the dimension table  $D_m \text{ min}^*$  at pages 'Toolholders Internal' you will find the dimensions required for the alteration.

On demand, these internal toolholders can also be supplied as special design.

For some holders it is possible to work inside smaller bores than indicated by the  $D_m \text{ mod}$  dimension, here it is necessary "to back off" the bottom corner of the insert (possibly also the insert shim).



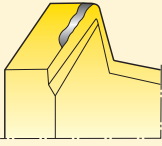
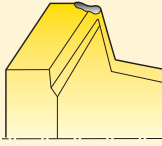
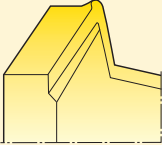
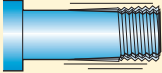
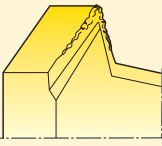
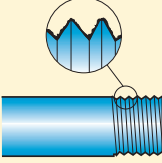
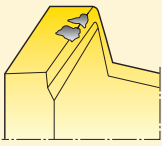
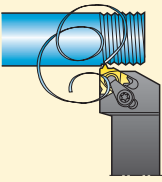
WF and PDY dimensions can be found on the pages for internal toolholders (pages 53-57) and threading inserts (pages 84-115).



$$C = WF - PDY + R - DCINN2$$

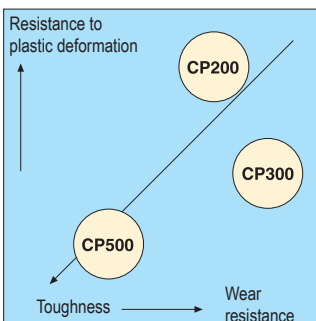
C = Centre-point displacement when modifying the tool.  
 DCINN = Minimum bore diameter of standard tool.  
 DCINN2 = Minimum bore diameter with a modified tool.

## Troubleshooting

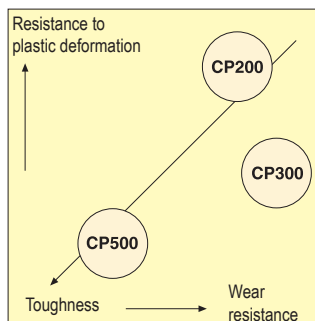
<p><b>Rapid flank wear</b></p> <ul style="list-style-type: none"> <li>• Reduce the cutting speed</li> <li>• Increase the infeed per pass</li> <li>• Use modified flank infeed</li> <li>• Check that the correct insert shim has been selected</li> <li>• Select a more wear-resistant grade</li> </ul> 	<p><b>Insert fracture</b></p> <ul style="list-style-type: none"> <li>• Increase the number of passes</li> <li>• Check the workpiece mounting</li> <li>• Check the centre height of the cutting edge</li> <li>• Check for built-up edge</li> <li>• Select a tougher grade</li> </ul> 
<p><b>Plastic deformation</b></p> <ul style="list-style-type: none"> <li>• Select a grade with better resistance to plastic deformation</li> <li>• Reduce the cutting speed</li> <li>• Increase the number of passes</li> <li>• Increase the coolant supply</li> <li>• Check that the workpiece diameter is correct prior to cutting the thread</li> </ul> 	<p><b>Vibrations</b></p> <ul style="list-style-type: none"> <li>• Change the cutting speed</li> <li>• Reduce the overhang and use the most stable toolholder</li> <li>• Check the centre height of the cutting edge</li> <li>• Check that the workpiece diameter is correct</li> </ul> 
<p><b>Build-up edge</b></p> <ul style="list-style-type: none"> <li>• Increase the cutting speed</li> <li>• Do not use coolant</li> </ul> 	<p><b>Poor finish</b></p> <ul style="list-style-type: none"> <li>• Increase the cutting speed</li> <li>• Check that the correct insert shim has been selected</li> <li>• Use modified flank infeed or radial infeed</li> </ul> 
<p><b>Edge chipping</b></p> <ul style="list-style-type: none"> <li>• Check the workpiece mounting</li> <li>• Check the cutting speed</li> <li>• Use modified flank infeed</li> <li>• Select a tougher grade</li> </ul> 	<p><b>Poor chip control</b></p> <ul style="list-style-type: none"> <li>• Reduce the number of passes</li> <li>• Increase the cutting speed</li> <li>• Use modified flank infeed</li> <li>• Increase the coolant supply</li> </ul> 

## Optimisation

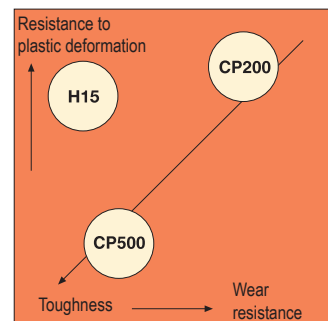
ISO-P (steel)



ISO-M (stainless steel)



ISO-K (cast iron)



## Torque values for clamping screws

Torque value for each screw is shown below

Screw designation	Torque Nm	Torque key
110.26-655	10,0	H00T-60100
117.26-655	5,0	H00T-3050
117.26-657	3,0	H00-2530
170.26-655	6,0	H00T-4060
C02205-T07P	0,9	T00-07P09
C02505-T07P	0,9	T00-07P09
C02506-T07P	0,9	T00-07P09
C03007-T09P	2,0	T00-09P20
C03508-T15P	3,0	T00-15P30
C03509-T15P	3,0	T00-15P30
C03510-T15P	3,0	T00-15P30
C03511-T09P	2,0	T00-09P20
C03512-T15P	3,0	T00-15P30
C04008-T15P	3,5	T00-15P35
C04010-T15P	3,5	T00-15P35
C04011-T15P	3,5	T00-15P35
C04014-T15P	3,5	T00-15P35
C04512-T15P	5,0	T00-15P50
C04518-T15P	5,0	T00-15P50
C05010-T20P	5,0	T00-20P50
C05012-T15P	5,0	T00-15P50
C05013-T20P	5,0	T00-20P50
C05018-T20P	5,0	T00-20P50
C11804-T06P	0,5	T00-06P05
C46017-T20P	6,0	T00T-20P60
C82204-T06P	0,5	T00-06P05
CC05	0,9	H00-1509
CC08P-V13	2,0	T00-09P20
CC09P-D11	2,0	T00-09P20
CC12P-S12	3,5	T00-15P35
CC14	6,0	H00T-4060
CC16	10,0	-
CC17P	10,0	-
CC17P-06	10,0	-
CC17P-09	10,0	-
CC20P	10,0	-
CC20P-V13	10,0	-
CD09-S09	2,0	T00-09P20
CD12-S12	3,5	T00-15P35
CD16-C16	5,0	T00-20P50
CD19-S19	5,0	T00-20P50
CD19-V16	5,0	T00-20P50
CSC8015-T20P	5,0	T00-20P50
CSC1015-T20P	5,0	T00-20P50
CSP16-T15P	2,0	T00-15P20
CSP22-T25P	3,0	T00-15P30
CSP27-T25P	6,0	T00T-25P60

Screw designation	Torque Nm	Torque key
L84017-T09P	2,0	T00-09P20
L85011-T15P	5,0	T00-15P50
L85012-T15P	5,0	T00-15P50
L85017-T09P	2,0	T00-09P20
L85020-T15P	3,5	T00-15P35
L85021-T15P	3,5	T00-15P35
L86015-T20P	6,0	T00T-20P60
L86025-T20P	6,0	T00T-20P60
LD1035-T25P	6,0	T00T-25P60
LD5020-T09P	2,0	T00-09P20
LD6020-T15P	3,0	T00-15P30
LD6021-T09P	2,0	T00-09P20
LD6024-T20P	3,0	T00-15P30
LD6025-T15P	3,0	T00-15P30
LD6026-T09P	2,0	T00-09P20
LD8025-T25P	6,0	T00T-25P60
LD8030-T25P	6,0	T00T-25P60
LS0512	2,5	-
LS0613	3,0	H00-2530
LS0616	3,0	H00-2530
LS0818	4,0	-
LS0822	4,0	-
MC6S4X14	3,5	-
MC6S4X18	3,5	-
MC6S5X14	5,0	H00T-4050
MC6S5X18	5,0	H00T-4050
MN0909L-T09P	2,0	T00-09P20
MN1215L-T15P	3,0	T00-15P30
MN1215R-T15P	3,0	T00-15P30
MN1215S-T15P	3,0	T00-15P30
MN1215T-T15P	3,0	T00-15P30
MN1515-T15P	3,0	T00-15P30
MN1515SL-T15P	3,0	T00-15P30
MN1520-T20P	6,0	T00T-20P60
MN1920-T20P	6,0	T00T-20P60
MN1925-T25P	5,0	T00T-25P50
MN2525-T25P	6,0	T00T-25P60
PL1403-T09P	2,5	T00-09P20
TCEI0409	3,5	-
TCEI0509	6,0	H00T-4060
TCEI0513	6,0	H00T-4060
TCEI0609	8,0	H00T-5080
TCEI0613	8,0	H00T-5080
TCEI0614	8,0	H00T-5080
TCEI0620	8,0	H00T-5080
TCEI0815	10,0	H00T-60100
TCEI0825	10,0	H00T-60100
TCEI1020	15,0	-
WS1620-T20P	3,5	T00-20P35
WS1920-T20P	3,5	T00-20P35
WS2325-T25P	5,0	T00T-25P50

For the Seco range of torque keys, please see next page

## Torque key range

The range of torque keys with fixed torque values are available, in combinations key grip/torque value for insert locking, for most of the Seco turning products.

By using a torque key you always ensure the correct tightening force when mounting the insert. The torque value is given on page(s) 29 for each screw.

Torque keys are calibrated according to ISO 6789.

### Code key: T00-15P35

T00 = Torque screwdriver type for Torx Plus blade



T00T = Torque T-handle type for Torx Plus blade

H00 = Torque screwdriver for hexagonal blade

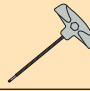

H00T = Torque T-handle type for hexagonal blade

15P = Torx Plus size



35 = Torque value 3,5 Nm

Torque key*	Replaceable blade		
		Torx Plus size	Torque value
T00-06P05	T00-06P	T06P	0,5 Nm
T00-07P05	T00-07P	T07P	0,5 Nm
T00-07P09	T00-07P	T07P	0,9 Nm
T00-08P12	T00-08P	T08P	1,2 Nm
T00-09P09	T00-09P	T09P	0,9 Nm
T00-09P12	T00-09P	T09P	1,2 Nm
T00-09P20	T00-09P	T09P	2,0 Nm
T00-10P20	T00-10P	T10P	2,0 Nm
T00-10P30	T00-10P	T10P	3,0 Nm
T00-15P20	T00-15P	T15P	2,0 Nm
T00-15P30	T00-15P	T15P	3,0 Nm
T00-15P35	T00-15P	T15P	3,5 Nm
T00-15P50	T00-15P	T15P	5,0 Nm
T00-20P35	T00-20P	T20P	3,5 Nm
T00-20P50	T00-20P	T20P	5,0 Nm

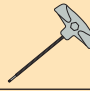

\*Including blade

Torque key*	Replaceable blade		
		Torx Plus size	Torque value
T00T-15P50	T00T-15P	T15P	5,0 Nm
T00T-20P50	T00T-20P	T20P	5,0 Nm
T00T-20P60	T00T-20P	T20P	6,0 Nm
T00T-20P80	T00T-20P	T20P	8,0 Nm
T00T-25P50	T00T-25P	T25P	5,0 Nm
T00T-25P60	T00T-25P	T25P	6,0 Nm
T00T-25P80	T00T-25P	T25P	8,0 Nm
T00T-30P80	T00T-30P	T30P	8,0 Nm

\*Including blade

Torque key*	Replaceable blade		
		Hexagonal size	Torque value
H00-1305	H00-1.3	1,3 mm	0,5 Nm
H00-1505	H00-1.5	1,5 mm	0,5 Nm
H00-1509	H00-1.5	1,5 mm	0,9 Nm
H00-2009	H00-2.0	2,0 mm	0,9 Nm
H00-2016	H00-2.0	2,0 mm	1,6 Nm
H00-2020	H00-2.0	2,0 mm	2,0 Nm
H00-2512	H00-2.5	2,5 mm	1,2 Nm
H00-2530	H00-2.5	2,5 mm	3,0 Nm
H00-2535	H00-2.5	2,5 mm	3,5 Nm
H00-3020	H00-3.0	3,0 mm	2,0 Nm
H00-4030	H00-4.0	4,0 mm	3,0 Nm

\*Including blade

Torque key*	Replaceable blade		
		Hexagonal size	Torque value
H00T-3050	H00T-3.0	3 mm	5,0 Nm
H00T-4050	H00T-4.0	4 mm	5,0 Nm
H00T-4060	H00T-4.0	4 mm	6,0 Nm
H00T-5080	H00T-5.0	5 mm	8,0 Nm
H00T-60100	H00T-6.0	6 mm	10,0 Nm

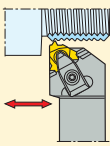
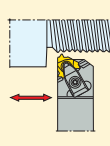
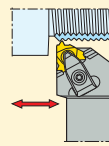
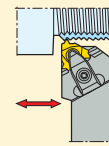
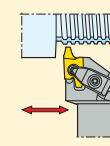
\*Including blade

Please observe that the blades are not interchangeable between screwdriver type and T-handle type.

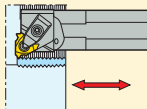
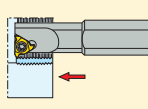
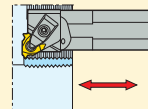
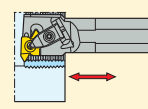
Torx Plus® is a registered trade mark belonging to Camcar-Textron (USA)



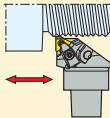
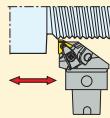
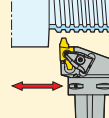
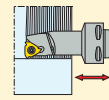
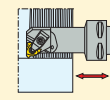
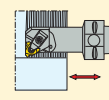
## External toolholders

<p>PER/L...QHDJETI</p>  <p>page(s) 42</p>	<p>CER/L CER/L...HD</p>  <p>page(s) 46 - 47</p>	<p>CER/L...Q CER/L...QHD</p>  <p>page(s) 48 - 49</p>	<p>CER...CQHD</p>  <p>page(s) 50</p>	<p>CER...HD CER/L...QHD</p>  <p>page(s) 51 - 52</p>	
--	--	---	---	--	--

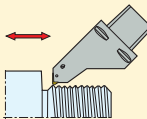
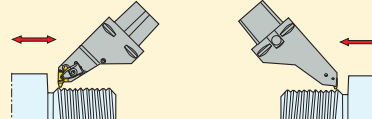
## Internal toolholders

<p>PNR/L...AHDJET</p>  <p>page(s) 43-45</p>	<p>SNR/L</p>  <p>page(s) 53</p>	<p>CNR/L...AHD CNR/L...APIHD</p>  <p>page(s) 54 - 56</p>	<p>CNR/L...AHD</p>  <p>page(s) 57</p>	
--	--	---	--	--

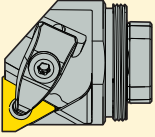
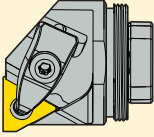
## Seco-Capto™

<p>CER/L...HD Ext.</p>  <p>page(s) 58 - 59</p>	<p>CER/L...CHD Ext.</p>  <p>page(s) 60 - 61</p>	<p>CER...HD Ext.</p>  <p>page(s) 62</p>	<p>SNR Int.</p>  <p>page(s) 63</p>	<p>CNR/L...HD Int.</p>  <p>page(s) 63-67</p>	<p>CNR/L...CHD Int.</p>  <p>page(s) 68-70</p>
---	--	--	---	---	--

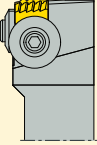
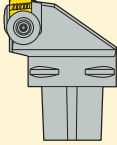
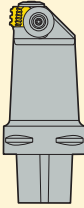
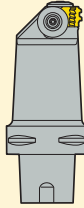
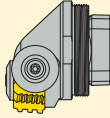
## Seco-Capto™ for MTM

<p>CER...HD</p>  <p>page(s) 75</p>	<p>CEL...HD</p>  <p>page(s) 76</p>
---	---

## Steadyline® with GL connection

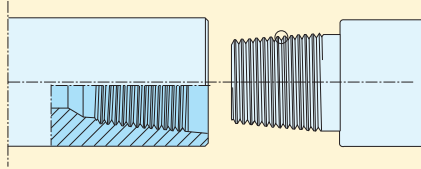
<p>GL..-PNR/L...AHDJET</p>  <p>page(s) 71 - 72</p>	<p>GL..CNR/L...AHD</p>  <p>page(s) 73 - 74</p>	
--	---	--

## Toolholders for chasers

<p>External toolholders for chasers CER...X</p>  <p>page(s) 77</p>	<p>Seco-Capto™ CER/L...X</p>  <p>page(s) 78</p>	<p>Seco-Capto™ CNR/L...X</p>  <p>page(s) 79 - 80</p>	<p>Seco-Capto™ CNL...C-X</p>  <p>page(s) 81 - 82</p>	<p>Steadyline® GL.. -CNR/L...-I/X</p>  <p>page(s) 83</p>
---	--	---	---	---

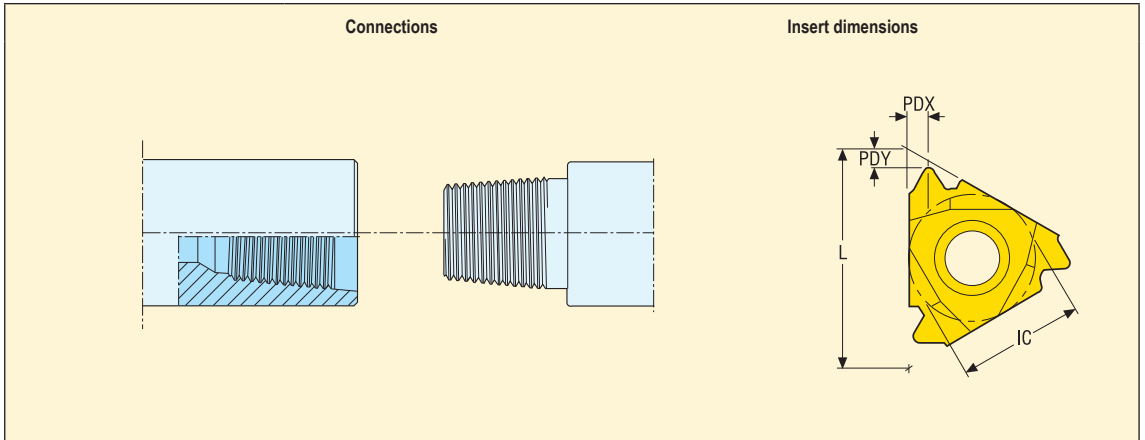
Partial profile inserts	<b>55° V profile</b>  page 84-85	<b>60° V profile</b>  page 86-87			
Full profile inserts	<b>ISO metric</b>  page 88-91	<b>UN</b>  page 92-95			
Reusable threaded joints					
Full profile inserts	<b>UNJ</b>  page 96	<b>MJ</b>  page 96	<b>UNJ and MJ, internal use</b>  Standard internal UN and ISO M threading inserts can be used for internal UNJ and MJ.  The correct turned diameter must be reached before commencing the threading operation.		
Reusable threaded joints for the aerospace industry					
Full profile inserts	<b>Whitworth, BSW</b>  page 97-98	<b>BSPT</b>  page 99	<b>NPT</b>  page 100-101	<b>NPTF</b>  page 102	<b>Round-DIN405</b>  page 103
Permanent threaded joints for pipe mountings and couplings					
Partial profile inserts	<b>TR-DIN103</b>  page 104-105	<b>ACME</b>  page 106-107	<b>Stub-ACME</b>  page 108-109		
Motion-transmitting threads					
Full profile inserts	<b>API Rotary Drill Connection</b>  page 110	<b>Hughes Flush</b>  page 111-112	<b>API ROUND</b>  page 113	<b>API Buttress 1:16 VAM Buttress 1:16</b>  page 114	<b>API Buttress 1:12</b>  page 115
Threads for the oil industry					
Full profile inserts	<b>Hughes H90</b>  page 111-112	<b>Hughes Slimline H90</b>  page 111-112	<b>P.A.C</b>  page 111-112	<b>Chasers API/Gost</b>  page 116	<b>Chipformers for chasers</b>  page 117
Threads for the oil industry					

## Rotary drilling connections



Connections	Pitch TPI	TGTPF	API code	Snap-Tap® code
<b>API Number</b>				
NC10 - NC16	6,0	1,5	V055	6API558
NC23 - NC50	4,0	2,0	V038R	4API386
NC56 - NC77	4,0	3,0	V038R	4API384
<b>API Regular</b>				
1 - 1 1/2 REG	6,0	1,5	V055	6API558
2 3/8 REG - 4 1/2 REG	5,0	3,0	V040	5API404
5 1/2 REG, 7 5/8 REG, 8 5/8 REG	4,0	3,0	V050	4API504
6 5/8 REG	4,0	2,0	V050	4API506
<b>Internal Flush</b>				
2 3/8 IF - 6 5/8 IF	4,0	2,0	V038R	4API386
<b>Full Hole</b>				
3 1/2 FH, 4 1/2 FH	5,0	3,0	V040	5API404
4 FH	4,0	2,0	V038R	4API386
5 1/2 FH, 6 5/8 FH	4,0	2,0	V050	4API506
<b>Hughes External Flush</b>				
2 3/8, 2 7/8	6,0	2,0	-	6HEF
3 1/2, 4 1/2	4,0	2,0	V038R	4API386
<b>Hughes Xtra Hole</b>				
2 7/8 - 5	4,0	2,0	V038R	4API386
<b>Hughes Slim Hole</b>				
2 3/8 - 4 1/2	4,0	2,0	V038R	4API386
<b>Hughes Double Streamline</b>				
3 1/2 - 5 1/2	4,0	2,0	V038R	4API386
<b>Hughes H90</b>				
3 1/2 - 6 5/8	3,5	2,0	90V050	3.5H906
7 - 8 5/8	3,5	3,0	90V050	3.5H904
<b>Hughes Slimline H90</b>				
2 3/8 - 3 1/2	3,0	1,25	90V050	3H90
<b>Hughes ACME Regular</b>				
2 3/8 - 6 5/8	4,0	3,373	-	4HACME
<b>Hughes ACME Streamline</b>				
2 3/8 - 5 1/2	4,0	3,373	-	4HACME
<b>P.A.C.</b>				
2 3/8 PAC - 3 1/2 PAC	4,0	1,5	V076	4PAC
<b>Macaroni</b>				
MT, AMT, AMMT	6,0	1,5	V055	6API558

## Rotary drilling connections

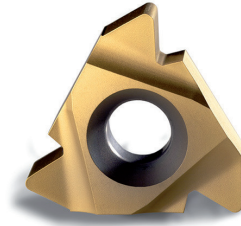


Connections				Dimensions in mm			
Snap-Tap® code	API code	Pitch TPI	TGTPF	L	IC	PDX	PDY
6API558	V055	6,0	1,5	22,0	12,700	2,5	2,0
5API404	V040	5,0	3,0	22,0	12,700	2,5	2,0
5API404	V040	5,0	3,0	27,5	15,875	3,2	2,2
4API386	V038R	4,0	2,0	22,0	12,700	2,5	1,9
4API386	V038R	4,0	2,0	27,5	15,875	3,2	2,2
4API384	V038R	4,0	3,0	27,5	15,875	3,2	2,2
4API506	V050	4,0	2,0	27,5	15,875	3,2	2,2
4API504	V050	4,0	3,0	27,5	15,875	3,2	2,2
6HEF	–	6,0	2,0	22,0	12,700	2,5	2,0
4PAC	V076	4,0	1,5	27,5	15,875	3,2	2,2
3,5H906	90V050	3,5	2,0	27,5	15,875	3,2	2,2
3,5H904	90V050	3,5	3,0	27,5	15,875	3,2	2,2
3H90	90V050	3,0	1,25	27,5	15,875	3,2	2,2
4HACME	–	4,0	3,373	27,5	15,875	3,2	2,2

## Thread profile

Profile	TPI	TGTPF	Dimensions in mm				API code	Snap-Tap® code
			R/F <sub>r</sub>	F <sub>c</sub>	r <sub>1</sub>	r <sub>2</sub>		
	5.0	3.0	0,508	1,016	0,381	–	V040	5API404
	4.0	2.0	0,965	1,651	0,381	–	V038R	4API386
	4.0	3.0	0,965	1,651	0,381	–	V038R	4API384
	4.0	2.0	0,635	1,270	0,381	–	V050	4API506
	4.0	3.0	0,635	1,270	0,381	–	V050	4API504
	6.0	1.5	1,194	1,397	0,381	0,381	V055	6API558
	6.0	2.0	0,559	0,813	0,381	0,381	–	6HEF
	4.0	1.5	1,702	1,930	0,381	0,381	V076	4PAC
	3.5	2.0	0,864	1,270	0,381	0,762	90V050	3,5H906
	3.5	3.0	0,864	1,270	0,381	0,762	90V050	3,5H904
	3.0	1.25	1,727	2,134	0,381	0,762	90V050	3H90
	4.0	3,373	2,253	2,388	0,787	0,787	–	4HACME

## Seco Snap-Tap® Quality Assurance



### 1. Metallurgical control of substrate

- Check of substrate regarding Hc, MM and porosity
- Measured according to SPM
- Values stored in a database

### 2. Dimension check after sintering

- Measuring of IC and thickness
- Measured according to SPM
- Values stored in a database

### 3. Dimension control after bottom grinding

- Thickness and cutting edge height
- Flatness
- Measured according to SPM

### 4. Dimension control after grinding

- Profile and radius
- Measured according to SPM

### 5. Edge measuring

- Edge radius checked during honing
- Measured according to SPM
- Values stored in a database

### 6. Measuring of coating

- Coating, check of thickness and adhesion
- Measured according to SPM
- Values stored in a database

### 7. Final inspection

- Visual Inspection
- Sampling in accordance to AQL

### 8. Production management System

- SGS (SPM1) - Control specifications
- LS - Production instructions
- Seco Act - System for preventive and corrective actions
- Approved to ISO 9001 and 14001 standard

### 9. Abbreviations

- LS - Local management Systems - contains local process descriptions, routines, procedures and instructions
- SGS - Seco Global Standards - consists of instructions common for all Seco companies
- SPM - Seco Production Manual - Part of SGS is a collection of instructions and documents with the purpose to guide and maintain the quality level of Seco products
- AQL - Accepted Quality Level (Mil-std)
- MM - Content of Tungsten in binder
- Hc - Coercivity, describing grainsize

## Seco Chasers Quality Assurance



### 1. Metallurgical control of substrate

- Check of substrate regarding Hc, MM and porosity
- Measured according to SPM
- Values stored in a database

### 2. Dimension control after top and bottom grinding

- Thickness
- Roughness Ra
- Flatness
- Measured according to SPM

### 3. Measuring after periphery Grinding

- Optical measuring
- Data stored in a database

### 4. Dimension control after grinding

- Profile and radius
- Measured according to SPM

### 5. Edge measuring

- Edge radius checked during honing
- Measured according to SPM
- Values stored in a database

### 6. Measuring of coating

- Coating (PVD), check of thickness and adhesion
- Measured according to SPM
- Values stored in a database

### 7. Height classification

- Optical measuring of height
- Graphic presentation of values
- Sorted and labelled with height classification

### 8. Final inspection

- Edge inspection 100%
- Profile check with tolerance drawing, sampling in accordance to AQL

### 9. Traceability

- Finished products from each order saved for future reference
- Saved 5 years from production date
- Finished product has full traceability

### 10. Overlay drawings

- Printer for overlays is calibrated with glass scale monthly
- Scaled master printout is saved according to SPM

### 11. Production management System

- SGS (SPM1) - Control specifications
- LS - Production instructions
- Seco Act - System for preventive and corrective actions
- Approved to ISO 9001 and 14001 standard

### 12. Abbreviations

- LS - Local management Systems - contains local process descriptions, routines, procedures and instructions
- SGS - Seco Global Standards - consists of instructions common for all Seco companies
- SPM - Seco Production Manual - Part of SGS is a collection of instructions and documents with the purpose to guide and maintain the quality level of Seco products
- AQL - Accepted Quality Level (Mil-std)
- MM - Content of Tungsten in binder
- Hc - Coercivity, describing grain size



## Jetstream Tooling® Introduction

Seco Jetstream Tooling® is a revolutionary solution to the problem of delivering coolant precisely to the cutting zone.

It works by delivering a concentrated high pressure jet of coolant at high velocity straight to the optimum position precisely to the cutting edge.

The jet lifts the chips away from the rake face, improving chip control and tool life, enabling increased cutting data.

It has been proven to show improvements in nearly all material groups with a wide choice of coolant pressures.

Seco Jetstream Tooling® Duo holders, yet another innovation introduced to the market, features both a rake face and a flank face jet, that may provide even better chip control and significantly longer tool life.

For many years, Seco has been supporting the market with Jetstream Tooling® solutions for ISO-turning and grooving applications. Now the Jetstream Tooling® technique will also be available on holders for thread turning (Snap-Tap®).

Coolant can either be supplied to the toolholder externally through a coolant hose, which is attached to one of the inlet positions of the toolholder, or by the new JETI connection.

When it comes to boring bars, the coolant is supplied internally from the back end.

For internal applications, holders for Steadyline® bars are also available, designated GL-. Please see more information regarding Steadyline® in MN Turning 2018.

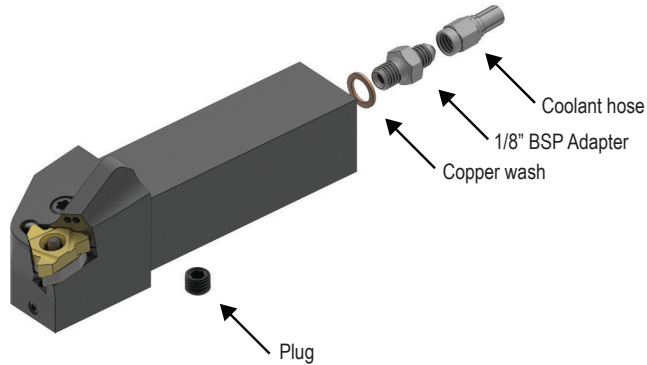
Square shank holders for external applications are designed with the Duo technique. They also have the option for coolant supply through JETI connection.

The JETI is developed with a compact assembly in mind, the tooling eliminates the need for any external piping and connections that would otherwise obstruct machine movements in tight workspaces. Coolant hole underneath the square shank holder make it possible for coolant to reach the cutting edge directly from the tool block.



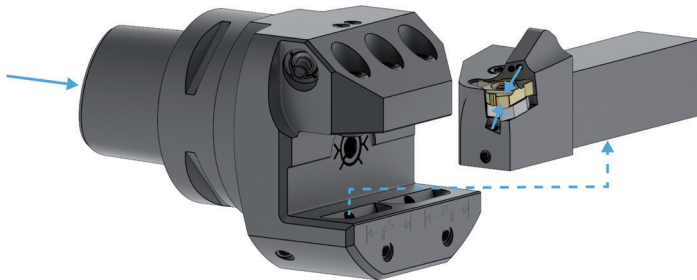
## Jetstream Tooling® Assembly instructions

For personal safety, Jetstream Tooling® should only be used with the machine door in a fully closed position in accordance with general machine safety procedures. Please ensure that the coolant hose is located correctly and fully tightened with all seals in position. The unused coolant hole should have a blanking plug fitted. Please note the maximum safe working pressures shown below.



For accessories, see next page.




## JETI Assembly instructions



To use the benefits of a JETI-holder there is a need to use a basic holder designed for JETI-connections. Maximum coolant pressure when using this feature is 150 bar.











Note: The unused coolant hole (from the back) should have a blanking plug fitted.

## Hoses, Part No. ordering code includes spare parts

Connection type	Part No.	Length (mm)
<b>Straight fitting</b>  	JET-HOSE150SS	150
	JET-HOSE200SS	200
	JET-HOSE250SS	250
	JET-HOSE300SS	300
<b>Banjo fitting</b>  	JET-HOSE150BS	150
	JET-HOSE200BS	200
	JET-HOSE250BS	250
	JET-HOSE300BS	300
<b>Banjo-to-Banjo fitting</b>  	JET-HOSE150BB	150
	JET-HOSE200BB	200
	JET-HOSE250BB	250
	JET-HOSE300BB	300

All hoses are pressure rated to a maximum of 275 bar (3990 psi)  
Please check availability in current price and stock-list

## Spare Parts, Parts included in delivery

Part No.		...SS	...BS	...BB
JET-CFP1/8BSP		■	■	■
JET-CBP15		■	■	■
JET-AD1/8BSP		■	■	
JET-ADM10		■		
JET-BBM10			■	■
JET-BB1/8BSP			■	■
JET-C1/4-1/8BSP			■	■
JET-P1/8-5mm		■	■	■
JET-WM10*		■	■	■
JET-ORING10X1*/**		■	■	■

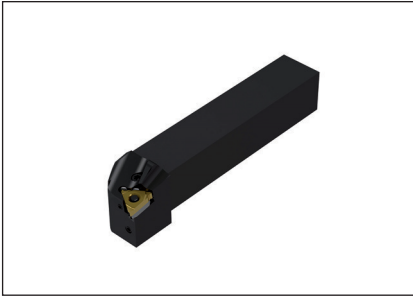
Pack of 2, except \*Pack of 20

\*\* Not suitable for use in inducer

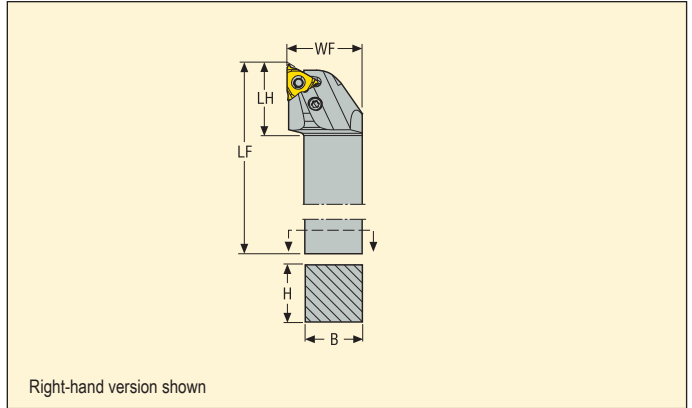
For assembly instructions, see page(s) 40

## Toolholders for S-inserts

Snap-Tap®



- For inserts programme, see page(s) 84, 86, 88-89, 92-93, 96-97, 99-100, 102-104, 106, 108, 110-111, 113-115



Application	Designation	Dimensions in mm					KG	
		H	B	LF	LH	WF		
	PER2020X16QHDJETI	20,0	20,0	91,0	30,0	25,0	0,3	16
	PEL2020X16QHDJETI	20,0	20,0	91,0	30,0	25,0	0,3	16
	PER2525X16QHDJETI	25,0	25,0	111,0	30,0	32,0	0,6	16
	PEL2525X16QHDJETI	25,0	25,0	111,0	30,0	32,0	0,6	16
	PER2525X22QHDJETI	25,0	25,0	125,0	44,0	32,0	0,7	22
	PER2525X27QHDJETI	25,0	25,0	125,0	44,0	32,0	0,7	27

## Spare Parts, included in delivery

For holder	Insert lever	Insert shim (S)	Lever screw	Locking key	Shim pin
...16QHD...	PP3712	GXA16-1	LS0612-T15P	T15P-7	AC4625
...22QHD...	PP4816	NXA22-1	LS0815-T25P	T25P-7	AC5035
...27QHD...	PP6019	VXA27-1	LS0820-T25P	T25P-7	AC6050

## Accessories, to be ordered separately

For holder	Insert shim (M)	Plug	Insert shim (S)										
...16QHD...	MXA16-1	P6SS4X8	GXA16-0	-	-	GXA16-2	GXA16-3	GXA16-4	-	GXA16-98	-	GXA16-99	-
...22QHD...	MXA22-1	P6SS4X8	NXA22-0	NXA22-0.5	NXA22-1.5	NXA22-2	NXA22-3	NXA22-4	NXA22-97.5	NXA22-98	NXA22-98.5	NXA22-99	NXA22-99.5
...27QHD...	MXA27-1	P6SS4X8	VXA27-0	VXA27-0.5	VXA27-1.5	VXA27-2	VXA27-3	VXA27-4	-	VXA27-98	VXA27-98.5	VXA27-99	VXA27-99.5

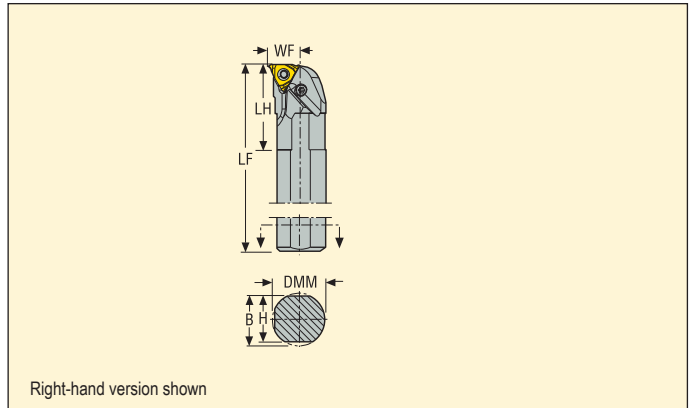
Please check availability in current price and stock-list

## Toolholders for S-inserts

Snap-Tap®



- For inserts programme, see page(s) 85, 87, 90-91, 94-95, 98-99, 101-103, 105, 107, 109, 113



Application	Designation	Dimensions in mm							KG	16	
		H	B	LF	WF	DCINN	DMM	LH			
	PNR0020P16AHDJET	19,0	18,0	171,0	13,8	24,0	20,0	42,0	0,4	16	
	PNL0020P16AHDJET	19,0	18,0	171,0	13,8	24,0	20,0	42,0	0,4	16	
	PNR0025R16AHDJET	24,0	23,0	200,0	16,3	29,0	25,0	42,0	0,7	16	
	PNL0025R16AHDJET	24,0	23,0	200,0	16,3	29,0	25,0	42,0	0,7	16	
	PNR0032S16AHDJET	30,0	31,0	250,0	19,8	36,0	32,0	42,0	1,4	16	
	PNL0032S16AHDJET	30,0	31,0	250,0	19,8	36,0	32,0	42,0	1,4	16	
	PNR0040T16AHDJET	38,5	37,0	300,0	23,8	44,0	40,0	45,0	2,6	16	
	PNR0050U16AHDJET	47,0	48,5	350,0	28,8	44,0	50,0	52,0	4,8	16	

## Spare Parts, included in delivery

For holder	Insert lever	Insert shim (S)	Lever screw	Locking key	Shim pin
...16...	PP3712	GXA16-1	LS0612-T15P	T15P-7	AC4625

## Accessories, to be ordered separately

For holder	Insert shim (M)	Insert shim (S)						
...16...	MXA16-1	GXA16-0	GXA16-1	GXA16-2	GXA16-3	GXA16-4	GXA16-98	GXA16-99

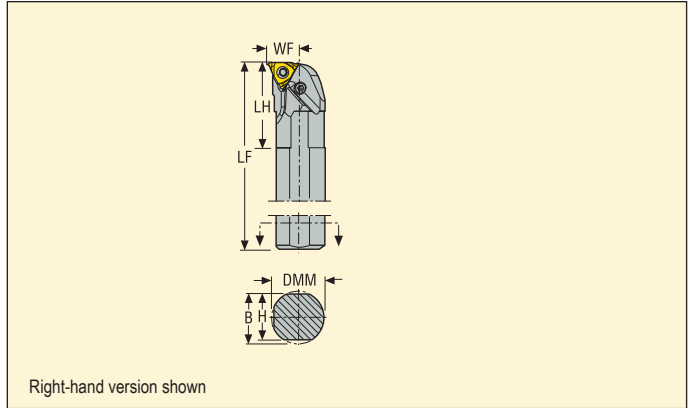
Please check availability in current price and stock-list

## Toolholders for S-inserts

Snap-Tap®



- For inserts programme, see page(s) 85, 87, 90-91, 94-95, 98, 101, 103, 105, 107, 109-110, 112, 114-115



Application	Designation	Dimensions in mm							KG		
		H	B	LF	WF	DCINN	DMM	LH			
	PNR0025R22AHDJET	23,0	24,0	200,0	17,8	30,0	25,0	42,0	0,7	22	
	PNL0025R22AHDJET	23,0	24,0	200,0	17,8	30,0	25,0	42,0	0,7	22	
	PNR0032S22AHDJET	30,0	31,0	250,0	21,3	38,0	32,0	42,0	1,4	22	
	PNL0032S22AHDJET	30,0	31,0	250,0	21,3	38,0	32,0	42,0	1,4	22	
	PNR0040T22AHDJET	37,0	38,5	300,0	25,3	46,0	40,0	42,0	2,7	22	
	PNL0040T22AHDJET	37,0	38,5	300,0	25,3	46,0	40,0	42,0	2,7	22	
	PNR0050U22AHDJET	47,0	48,5	350,0	30,3	56,0	50,0	48,0	4,6	22	

## Spare Parts, included in delivery

For holder	Insert lever	Insert shim (S)	Lever screw	Locking key	Shim pin
...22...	PP4816	NXA22-1	LS0815-T25P	T25P-7	AC5035

## Accessories, to be ordered separately

For holder	Insert shim (M)	Insert shim (S)											
...22...	MXA22-1	NXA22-0	NXA22-0.5	NXA22-1	NXA22-1.5	NXA22-2	NXA22-3	NXA22-4	NXA22-97.5	NXA22-98	NXA22-98.5	NXA22-99	NXA22-99.5

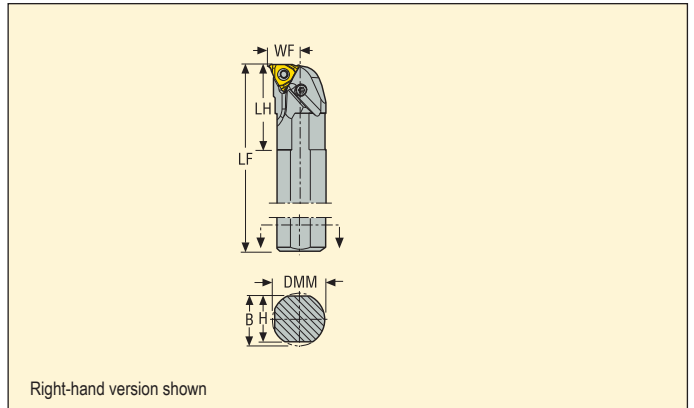
Please check availability in current price and stock-list

## Toolholders for S-inserts

Snap-Tap®



- For inserts programme, see page(s) 90-91, 94, 103, 105, 107, 109-110, 112-113



Application	Designation	Dimensions in mm							KG	mm
		H	B	LF	WF	DCINN	DMM	LH		
	PNR0040T27AHDJET	37,0	38,5	300,0	26,8	48,0	40,0	62,0	2,7	27
	PNR0050U27AHDJET	47,0	48,5	350,0	31,8	58,0	50,0	62,0	5,0	27
	PNR0063V27AHDJET	60,0	61,5	400,0	38,3	70,0	63,0	62,0	9,0	27

## Spare Parts, included in delivery

For holder	Insert lever	Insert shim (S)	Lever screw	Locking key	Shim pin
...27...	PP6019	VXA27-1	LS0820-T25P	T25P-7	AC6050

## Accessories, to be ordered separately

For holder	Insert shim (M)	Insert shim (S)													
...27...	MXA27-1	VXA27-0	VXA27-0.5	VXA27-1	VXA27-1.5	VXA27-2	VXA27-3	VXA27-4	VXA27-98	VXA27-98.5	VXA27-99	VXA27-99.5			

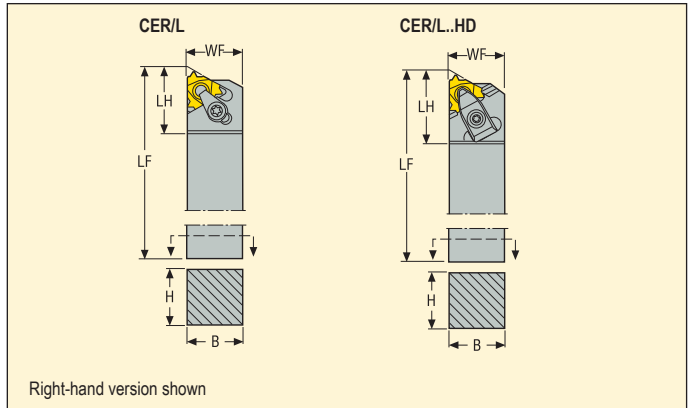
Please check availability in current price and stock-list

## Toolholders for S-inserts

Snap-Tap®



- For inserts programme, see page(s) 84, 86, 88-89, 92-93, 96-97, 99-100, 102-104, 106, 108, 113



Application	Designation	Dimensions in mm					KG	
		H	B	LF	WF	LH		
	CER1616H16	16,0	16,0	100,0	16,0	22,0	0,2	16
	CER2020K16HD	20,0	20,0	125,0	20,0	32,0	0,4	16
	CER2525M16HD	25,0	25,0	150,0	25,0	32,0	0,8	16
	CER4040R16HD	40,0	40,0	200,0	40,0	37,0	2,5	16
	CEL1616H16	16,0	16,0	100,0	16,0	22,0	0,2	16
	CEL2020K16HD	20,0	20,0	125,0	20,0	32,0	0,4	16
	CEL2525M16HD	25,0	25,0	150,0	25,0	32,0	0,8	16

## Spare Parts, included in delivery

For holder	Cantilever clamp	Clamp key	Clamp kit	Clamp screw	Insert shim (S)	Shim screw	Spring
...16	–	T15P-2	CSP16-T15P	–	GX16-1	CS3507-T09P	–
...16HD	CHD16	T15P-7	–	L85020-T15P	GX16-1	CS3507-T09P	S6912

## Accessories, to be ordered separately

For holder	Shim key	Insert shim (M)	Insert shim (S)					
...16	T09P-2	MX16-1	GX16-0	GX16-2	GX16-3	GX16-4	GX16-98	GX16-99
...16HD	T09P-2	MX16-1	GX16-0	GX16-2	GX16-3	GX16-4	GX16-98	GX16-99

Please check availability in current price and stock-list

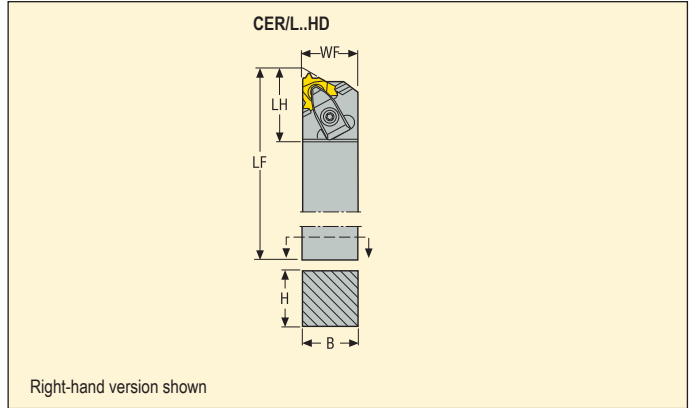


## Toolholders for S-inserts

Snap-Tap®



- For inserts programme, see page(s) 84, 86, 88-89, 92-93, 97, 100, 103,104, 106, 108, 110-111, 113-115



Application	Designation	Dimensions in mm					KG	Insert width
		H	B	LF	WF	LH		
	CER2525M22HD	25,0	25,0	150,0	25,0	38,0	0,8	22
	CER4040R22HD	40,0	40,0	200,0	40,0	42,0	2,5	22
	CEL2525M22HD	25,0	25,0	150,0	25,0	38,0	0,8	22
	CER4040R27HD	40,0	40,0	200,0	40,0	48,0	2,5	27

## Spare Parts, included in delivery

For holder	Cantilever clamp	Clamp key	Clamp screw	Insert shim (S)	Shim screw	Spring
...22HD	CHD22	T20P-7L	L86025-T20P	NX22-1	CS4009-T15P	S7616
...27HD	CHD27	T20P-7L	L86025-T20P	VX27-1	C05012-T15P	S7616

## Accessories, to be ordered separately

For holder	Shim key	Insert shim (M)	Insert shim (S)										
...22HD	T15P-2	MX22-1	NX22-0	NX22-0.5	NX22-1.5	NX22-2	NX22-3	NX22-4	NX22-97.5	NX22-98	NX22-98.5	NX22-99	NX22-99.5
...27HD	T15P-2	MX27-1	VX27-0	VX27-0.5	VX27-1.5	VX27-2	VX27-3	VX27-4	-	VX27-98	VX27-98.5	VX27-99	VX27-99.5

Please check availability in current price and stock-list

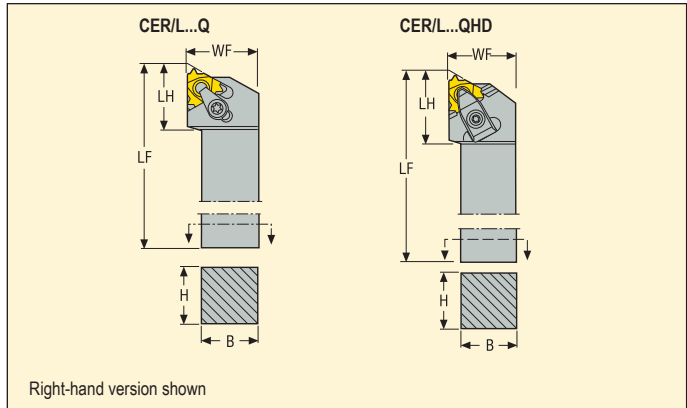
# Thread turning – Toolholders, external

## Toolholders for S-inserts

Snap-Tap®



- For inserts programme, see page(s) 84, 86, 88-89, 92-93, 96-97, 99-100, 102-104, 106, 108, 113



Application	Designation	Dimensions in mm					KG	
		H	B	LF	WF	LH		
	CER1212H16Q	12,0	12,0	100,0	16,0	22,0	0,2	16
	CER1616H16Q	16,0	16,0	100,0	20,0	22,0	0,2	16
	CER2020K16QHD	20,0	20,0	125,0	25,0	32,0	0,5	16
	CER2525M16QHD	25,0	25,0	150,0	32,0	32,0	0,8	16
	CER3225P16QHD	32,0	25,0	170,0	32,0	32,0	1,1	16
	CER3232P16QHD	32,0	32,0	170,0	40,0	32,0	1,4	16
	CEL1212H16Q	12,0	12,0	100,0	16,0	22,0	0,2	16
	CEL1616H16Q	16,0	16,0	100,0	20,0	22,0	0,2	16
	CEL2020K16QHD	20,0	20,0	125,0	25,0	32,0	0,5	16
	CEL2525M16QHD	25,0	25,0	150,0	32,0	32,0	0,8	16
	CEL3225P16QHD	32,0	25,0	170,0	32,0	32,0	1,1	16
	CEL3232P16QHD	32,0	32,0	170,0	40,0	32,0	1,4	16

## Spare Parts, included in delivery

For holder	Cantilever clamp	Clamp key	Clamp kit	Clamp screw	Insert shim (S)	Shim screw	Spring
...16Q	–	T15P-2	CSP16-T15P	–	GX16-1	CS3507-T09P	–
...16QHD	CHD16	T15P-7	–	L85020-T15P	GX16-1	CS3507-T09P	S6912

## Accessories, to be ordered separately

For holder	Shim key	Insert shim (M)	Insert shim (S)						
...16Q	T09P-2	MX16-1	GX16-0	GX16-2	GX16-3	GX16-4	GX16-98	GX16-99	
...16QHD	T09P-2	MX16-1	GX16-0	GX16-2	GX16-3	GX16-4	GX16-98	GX16-99	

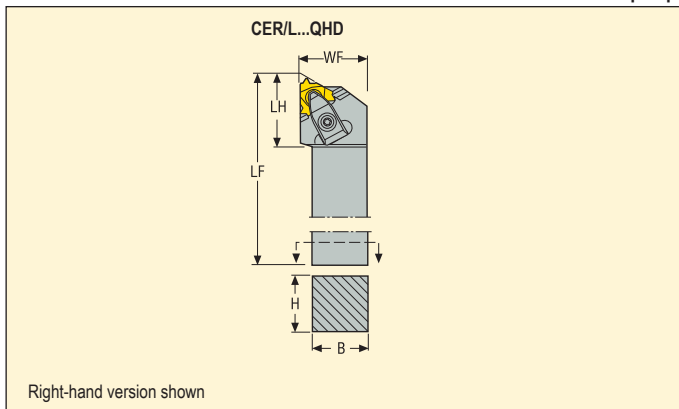
Please check availability in current price and stock-list

## Toolholders for S-inserts

Snap-Tap®



- For inserts programme, see page(s) 84, 86, 88-89, 92-93, 97, 100, 103, 104, 106, 108, 110-111, 113-115



Application	Designation	Dimensions in mm					KG	
		H	B	LF	WF	LH		
	CER2525M22QHD	25,0	25,0	150,0	32,0	38,0	0,8	22
	CER3225P22QHD	32,0	25,0	170,0	32,0	38,0	1,2	22
	CER3232P22QHD	32,0	32,0	170,0	40,0	38,0	1,4	22
	CEL2525M22QHD	25,0	25,0	150,0	32,0	38,0	0,8	22
	CEL3225P22QHD	32,0	25,0	170,0	32,0	38,0	1,1	22
	CEL3232P22QHD	32,0	32,0	170,0	40,0	38,0	1,4	22
	CER2525M27QHD	25,0	25,0	150,0	32,0	46,0	0,8	27
	CER3225P27QHD	32,0	25,0	170,0	32,0	46,0	1,2	27
	CER3232P27QHD	32,0	32,0	170,0	40,0	46,0	1,5	27
	CEL2525M27QHD	25,0	25,0	150,0	32,0	46,0	0,8	27
	CEL3225P27QHD	32,0	25,0	170,0	32,0	46,0	1,2	27
	CEL3232P27QHD	32,0	32,0	170,0	40,0	46,0	1,5	27

## Spare Parts, included in delivery

For holder	Cantilever clamp	Clamp key	Clamp screw	Insert shim (S)	Shim screw	Spring
...22QHD	CHD22	T20P-7L	L86025-T20P	NX22-1	CS4009-T15P	S7616
...27QHD	CHD27	T20P-7L	L86025-T20P	VX27-1	C05012-T15P	S7616

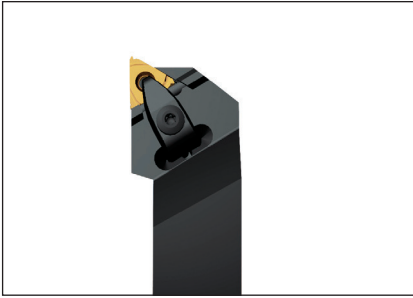
## Accessories, to be ordered separately

For holder	Shim key	Insert shim (M)	Insert shim (S)										
...22QHD	T15P-2	MX22-1	NX22-0	NX22-0.5	NX22-1.5	NX22-2	NX22-3	NX22-4	NX22-97.5	NX22-98	NX22-98.5	NX22-99	NX22-99.5
...27QHD	T15P-2	MX27-1	VX27-0	VX27-0.5	VX27-1.5	VX27-2	VX27-3	VX27-4	-	VX27-98	VX27-98.5	VX27-99	VX27-99.5

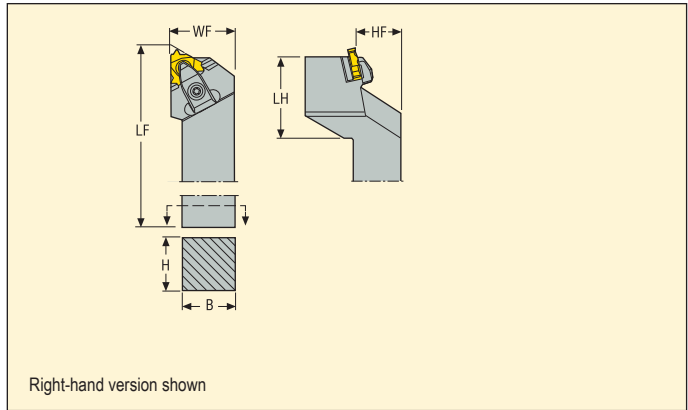
Please check availability in current price and stock-list

## Toolholders for S-inserts

Snap-Tap®



- For inserts programme, see page(s) 84, 86, 88-89, 92-93, 96-97, 99-100, 102-104, 106, 108, 110-111, 113-115



Application	Designation	Dimensions in mm						KG	
		H	B	LF	HF	WF	LH		
	CER2525M16CQHD	25,0	25,0	150,0	25,0	32,0	45,0	0,9	16
	CER3232P16CQHD	32,0	32,0	170,0	32,0	40,0	45,0	1,5	16
	CER2525M22CQHD	25,0	25,0	150,0	25,0	32,0	50,0	0,9	22
	CER3232P22CQHD	32,0	32,0	170,0	32,0	40,0	50,0	1,5	22

## Spare Parts, included in delivery

For holder	Cantilever clamp	Clamp key	Clamp screw	Insert shim (S)	Shim screw	Spring
..16CQHD	CHD16	T15P-7	L85020-T15P	GX16-1	CS3507-T09P	S6912
..22CQHD	CHD22	T20P-7L	L86025-T20P	NX22-1	CS4009-T15P	S7616

## Accessories, to be ordered separately

For holder	Shim key	Insert shim (M)	Insert shim (S)					
..16CQHD	T09P-2	MX16-1	GX16-0	GX16-2	GX16-3	GX16-4	GX16-98	GX16-99
..22CQHD	T15P-2	MX22-1	NX22-0	NX22-2	NX22-3	NX22-4	NX22-98	NX22-99

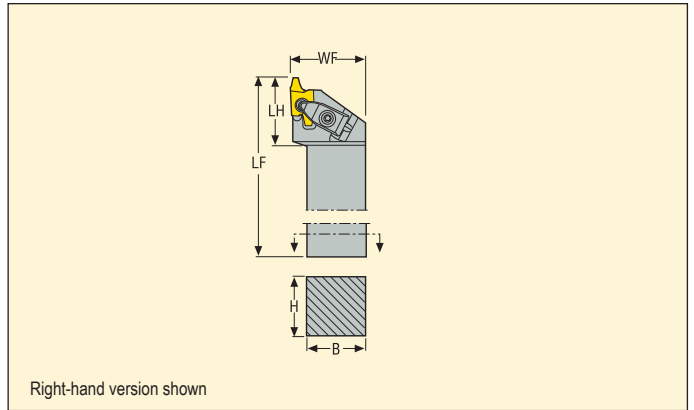
Please check availability in current price and stock-list

## Toolholders for K-inserts

Snap-Tap®



• For inserts programme, see page(s) 104, 106, 108



Application	Designation	Dimensions in mm					KG	
		H	B	LF	WF	LH		
	CER2525M20QHD	25,0	25,0	150,0	32,0	34,0	0,8	20
	CER3225P20QHD	32,0	25,0	170,0	32,0	34,0	1,1	20
	CER3232P20QHD	32,0	32,0	170,0	40,0	34,0	1,4	20
	CER4040R20HD	40,0	40,0	200,0	42,0	35,0	2,5	20
	CEL2525M20QHD	25,0	25,0	150,0	32,0	34,0	0,8	20
	CEL3225P20QHD	32,0	25,0	170,0	32,0	34,0	1,1	20
	CEL3232P20QHD	32,0	32,0	170,0	40,0	34,0	1,4	20

## Spare Parts, included in delivery

For holder	Cantilever clamp	Clamp key	Clamp screw	Insert shim (K)	Shim screw	Spring
...20	 CHD22	 T20P-7	 L86025-T20P	 KX20-2	 CS4009-T15P	 S7616

## Accessories, to be ordered separately

For holder	Shim key	Insert shim (K)					
...20	 T15P-2	 KX20-0	KX20-1	KX20-3	KX20-4	KX20-5	KX20-99

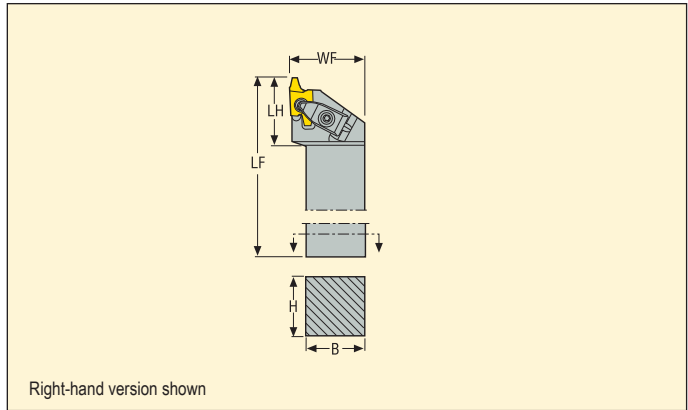
Please check availability in current price and stock-list

## Toolholders for K-inserts

Snap-Tap®



• For inserts programme, see page(s) 84-87, 104, 106, 108



Application	Designation	Dimensions in mm					KG	
		H	B	LF	WF	LH		
	CER2525M26QHD	25,0	25,0	150,0	40,0	44,0	0,9	26
	CER3225P26QHD	32,0	25,0	170,0	40,0	44,0	1,2	26
	CER3232P26QHD	32,0	32,0	170,0	40,0	44,0	1,4	26
	CER4040R26QHD	40,0	40,0	200,0	42,0	45,0	2,5	26
	CEL2525M26QHD	25,0	25,0	150,0	40,0	44,0	0,9	26
	CEL3225P26QHD	32,0	25,0	170,0	40,0	44,0	1,2	26
	CEL3232P26QHD	32,0	32,0	170,0	40,0	44,0	1,4	26

## Spare Parts, included in delivery

For holder	Cantilever clamp	Clamp key	Clamp screw	Insert shim (K)	Shim screw	Spring
...26	CHD27	T20P-7	L86025-T20P	KX26-2	C05012-T15P	S7616

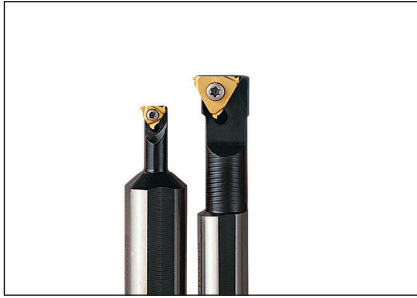
## Accessories, to be ordered separately

For holder	Shim key	Insert shim (K)					
...26	T15P-2	KX26-0	KX26-1	KX26-3	KX26-4	KX26-5	KX26-99

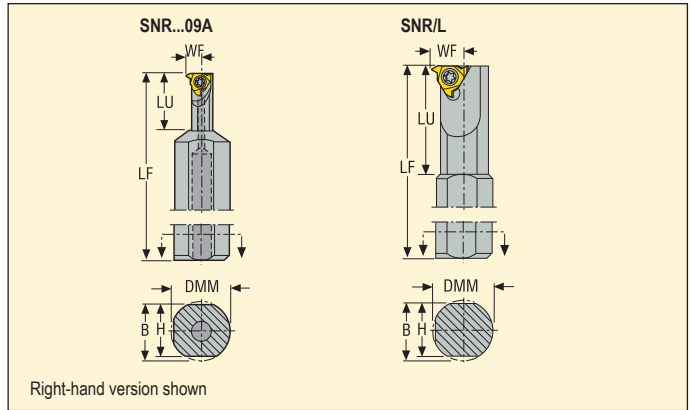
Please check availability in current price and stock-list

## Toolholders for S-inserts

Snap-Tap®



- For inserts programme, see page(s) 85, 87, 90-91, 94-95, 98-99, 101-103, 105, 107, 109-110, 112-115



Application	Designation	Dimensions in mm								KG		
		DMM	H	B	LF	LU	WF	DCINN	DCINN2			
	SNR0020L09A	20,0	18,0	19,0	140,0	20,0	5,1	10,2	–	0,3	09	
	SNR0010H11	10,0	–	9,5	100,0	–	7,5	13,0	11,0	0,1	11	
	SNR0010K11	16,0	14,0	15,5	125,0	30,0	6,5	12,0	11,0	0,2	11	
	SNR0013L11	16,0	14,0	15,5	140,0	32,0	8,0	15,0	13,0	0,2	11	
	SNL0010H11	10,0	–	9,5	100,0	–	7,5	13,0	11,0	0,1	11	
	SNL0010K11	16,0	14,0	15,5	125,0	30,0	6,5	12,0	11,0	0,2	11	
	SNL0013L11	16,0	14,0	15,5	140,0	32,0	8,0	15,0	13,0	0,2	11	
	SNR0016M16	16,0	14,0	15,5	150,0	40,0	10,3	19,0	16,0	0,3	16	
	SNL0016M16	16,0	14,0	15,5	150,0	40,0	10,3	19,0	16,0	0,3	16	
	SNR0020Q22	20,0	18,0	19,0	180,0	45,0	13,0	24,0	22,0	0,4	22	
	SNL0020Q22	20,0	18,0	19,0	180,0	45,0	13,0	24,0	22,0	0,4	22	

DCINN2, modified. Please see page 27

## Spare Parts, included in delivery

For holder	Insert key	Insert screw
...09A	T07P-2	C02205-T07P
...11	T07P-2	C02506-T07P
...16	T15P-2	C03508-T15P
...22	T15P-2	C04011-T15P

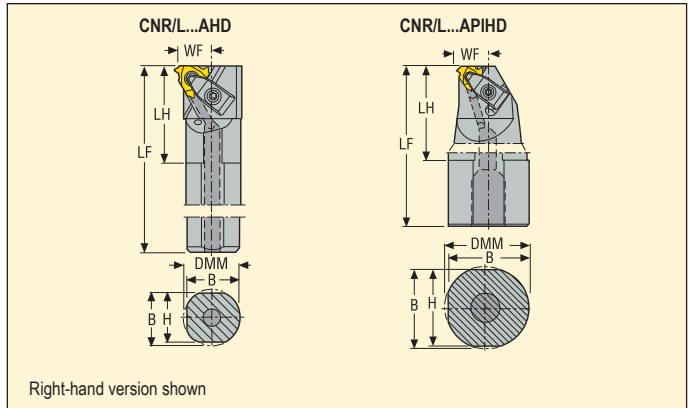
Please check availability in current price and stock-list

## Toolholders for S-inserts

Snap-Tap®



- For inserts programme, see page(s) 85, 87, 90-91, 94-95, 98-99, 101-103, 105, 107, 109, 113



Right-hand version shown

Application	Designation	Dimensions in mm								KG	
		DMM	H	B	LF	LH	WF	DCINN	DCINN2		
	CNR0020P16AHD	20,0	18,0	19,0	170,0	41,0	13,8	24,0	–	0,4	16..
	CNR0025R16AHD	25,0	23,0	24,0	200,0	40,0	16,3	29,0	26,0	0,7	16..
	CNR0032S16AHD	32,0	30,0	31,0	250,0	47,0	19,8	36,0	32,0	1,4	16..
	CNR0040T16AHD	40,0	37,0	38,5	300,0	47,0	23,8	44,0	40,0	2,6	16..
	CNR0050U16AHD	50,0	47,0	48,5	350,0	45,0	28,8	54,0	50,0	4,8	16..
	CNL0020P16AHD	20,0	18,0	19,0	170,0	41,0	13,8	24,0	–	0,4	16..
	CNL0025R16AHD	25,0	23,0	24,0	200,0	40,0	16,3	29,0	26,0	0,7	16..
	CNL0032S16AHD	32,0	30,0	31,0	250,0	47,0	19,8	36,0	32,0	1,4	16..
	CNL0040T16AHD	40,0	37,0	38,5	300,0	47,0	23,8	44,0	40,0	2,6	16..

## Spare Parts, included in delivery

DCINN2, modified. Please see page 27

For holder	Cantilever clamp	Clamp key	Clamp kit	Clamp screw	Insert shim (S)	Shim screw	Spring
..P, ..R16AHD	–	T15P-2	CSP16HD-T15P	–	GX16-1	CS3507-T09P	–
..S, ..T, ..U16AHD	CHD16	T15P-2	–	L85020-T15P	GX16-1	CS3507-T09P	S6912

## Accessories, to be ordered separately

For holder	Shim key	Insert shim (M)	Insert shim (S)					
..P, ..R16AHD	T09P-2	MX16-1	GX16-0	GX16-2	GX16-3	GX16-4	GX16-98	GX16-99
..S, ..T, ..U16AHD	T09P-2	MX16-1	GX16-0	GX16-2	GX16-3	GX16-4	GX16-98	GX16-99

Please check availability in current price and stock-list



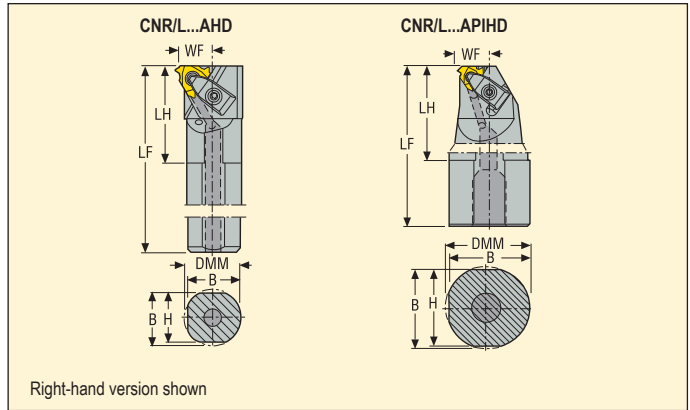
# Thread turning – Toolholders, internal

## Toolholders for S-inserts

Snap-Tap®



- For inserts programme, see page(s) 85, 87, 90-91, 94-95, 98, 101-103, 105, 107, 109-110, 112, 114-115



Application	Designation	Dimensions in mm								KG	
		DMM	H	B	LF	LH	WF	DCINN	DCINN2		
	CNR0025R22AHD	25,0	23,0	24,0	200,0	45,0	17,8	30,0	–	0,7	22..
	CNR0032S22AHD	32,0	30,0	31,0	250,0	46,0	21,3	38,0	32,0	1,5	22..
	CNR0040T22AHD	40,0	37,0	38,5	300,0	53,0	25,3	46,0	40,0	2,6	22..
	CNR0050U22AHD	50,0	47,0	48,5	350,0	51,0	30,3	56,0	50,0	4,8	22..
	CNR0063V22AHD	63,0	60,0	61,5	400,0	56,0	36,8	69,0	63,0	9,0	22..
	CNL0025R22AHD	25,0	23,0	24,0	200,0	45,0	17,8	30,0	–	0,7	22..
	CNL0032S22AHD	32,0	30,0	31,0	250,0	46,0	21,3	38,0	32,0	1,4	22..
	CNL0040T22AHD	40,0	37,0	38,5	300,0	53,0	25,3	46,0	40,0	2,6	22..
	CNL0050U22AHD	50,0	47,0	48,5	350,0	51,0	30,3	56,0	50,0	4,8	22..
	CNR0050T22APIHD	50,0	47,0	48,5	300,0	114,0	20,5	49,0	–	3,7	22..
	CNR0063T22APIHD	63,0	60,0	61,5	300,0	119,0	22,6	50,5	–	5,4	22..
	CNL0063T22APIHD	63,0	60,0	61,5	300,0	119,0	22,6	50,5	–	5,4	22..

## Spare Parts, included in delivery

DCINN2, modified. Please see page 27

For holder	Cantilever clamp	Clamp key	Clamp kit	Clamp screw	Insert shim (S)	Shim screw	Spring
...R22, ...S22	–	T15P-2	CSP22HD-T15P	–	NX22-1	CS4009-T15P	–
...T22, ...U22, ...V22	CHD22	T20P-7L	–	L86025-T20P	NX22-1	CS4009-T15P	S7616

## Accessories, to be ordered separately

For holder	Shim key	Insert shim (M)	Insert shim (S)										
...R22, ...S22	–	MX22-1	NX22-0	NX22-0.5	NX22-1.5	NX22-2	NX22-3	NX22-4	NX22-97.5	NX22-98	NX22-98.5	NX22-99	NX22-99.5
...T22, ...U22, ...V22	T15P-2	MX22-1	NX22-0	NX22-0.5	NX22-1.5	NX22-2	NX22-3	NX22-4	NX22-97.5	NX22-98	NX22-98.5	NX22-99	NX22-99.5

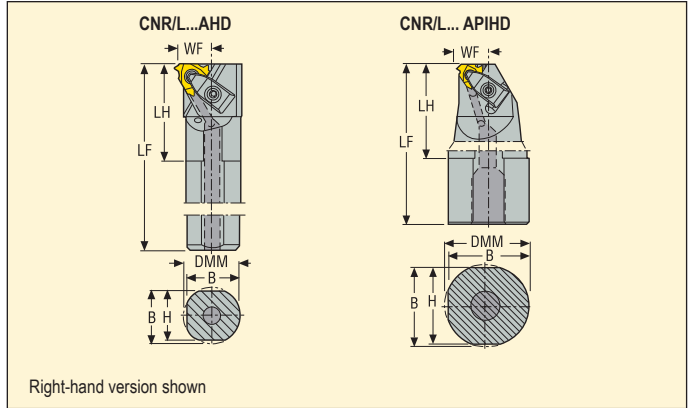
Please check availability in current price and stock-list

## Toolholders for S-inserts

Snap-Tap®



- For inserts programme, see page(s) 90-91, 94, 103, 105, 107, 109-110, 112-113



Application	Designation	Dimensions in mm								KG	
		DMM	H	B	LF	LH	WF	DCINN	DCINN2		
	CNR0040T27AHD	40,0	37,0	38,5	300,0	62,0	26,8	48,0	44,0	2,6	27..
	CNR0050U27AHD	50,0	47,0	48,5	350,0	61,0	31,8	58,0	50,0	4,8	27..
	CNR0063V27AHD	63,0	60,0	61,5	400,0	70,0	38,3	70,0	63,0	8,9	27..
	CNL0040T27AHD	40,0	37,0	38,5	300,0	62,0	26,8	48,0	44,0	2,6	27..
	CNL0050U27AHD	50,0	47,0	48,5	350,0	61,0	31,8	58,0	50,0	4,8	27..
	CNR0063T27APIHD	63,0	60,0	61,5	300,0	119,0	23,1	50,5	–	5,6	27..
	CNL0063T27APIHD	63,0	60,0	61,5	300,0	119,0	23,1	50,5	–	5,4	27..

## Spare Parts, included in delivery

DCINN2, modified. Please see page 27

For holder	Cantilever clamp	Clamp key	Clamp screw	Insert shim (S)	Shim screw	Spring
..27..						
	CHD27	T20P-7L	L86025-T20P	VX27-1	C05012-T15P	S7616

## Accessories, to be ordered separately

For holder	Shim key	Insert shim (M)	Insert shim (S)														
..27..	T15P-2	MX27-1	VX27-0	VX27-0.5	VX27-1.5	VX27-2	VX27-3	VX27-4	VX27-98	VX27-98.5	VX27-99	VX27-99.5					

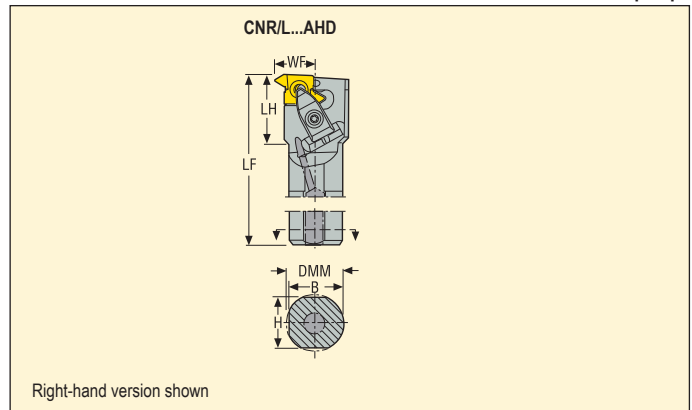
Please check availability in current price and stock-list

## Toolholders for K-inserts

Snap-Tap®



• For inserts programme, see page(s) 84-87, 105, 107, 109



Application	Designation	Dimensions in mm								KG	
		DMM	H	B	LF	LH	WF	DCINN	DCINN2		
	CNR0025R20AHD	25,0	23,0	24,0	200,0	50,0	20,5	38,0	–	0,7	20
	CNR0032S20AHD	32,0	30,0	31,0	250,0	50,0	24,0	44,0	38,0	1,5	20
	CNR0040T20AHD	40,0	37,0	38,5	300,0	50,0	28,0	51,0	40,0	2,6	20
	CNL0025R20AHD	25,0	23,0	24,0	200,0	50,0	20,5	38,0	–	0,7	20
	CNL0032S20AHD	32,0	30,0	31,0	250,0	50,0	24,0	44,0	38,0	1,4	20
	CNR0032S26AHD	32,0	30,0	31,0	250,0	61,0	27,0	50,0	50,0	1,5	26
	CNR0040T26AHD	40,0	37,0	38,5	300,0	60,0	31,0	55,0	50,0	2,6	26
	CNR0050U26AHD	50,0	47,0	48,5	350,0	62,0	36,0	65,0	–	4,8	26
	CNR0063V26AHD	63,0	60,0	61,5	400,0	64,0	42,5	80,0	63,0	8,9	26
	CNL0040T26AHD	40,0	37,0	38,5	300,0	60,0	31,0	55,0	50,0	2,6	26

## Spare Parts, included in delivery

DCINN2, modified. Please see page 27

For holder	Cantilever clamp	Clamp key	Clamp screw	Insert shim (K)	Shim screw	Spring
...20AHD	CHD22	T20P-7L	L86025-T20P	KX20-2	CS4009-T15P	S7616
...26AHD	CHD27	T20P-7L	L86025-T20P	KX26-2	C05012-T15P	S7616

## Accessories, to be ordered separately

For holder	Shim key	Insert shim (K)					
...20AHD	T15P-2	KX20-0	KX20-1	KX20-3	KX20-4	KX20-5	KX20-99
...26AHD	T15P-2	KX26-0	KX26-1	KX26-3	KX26-4	KX26-5	KX26-99

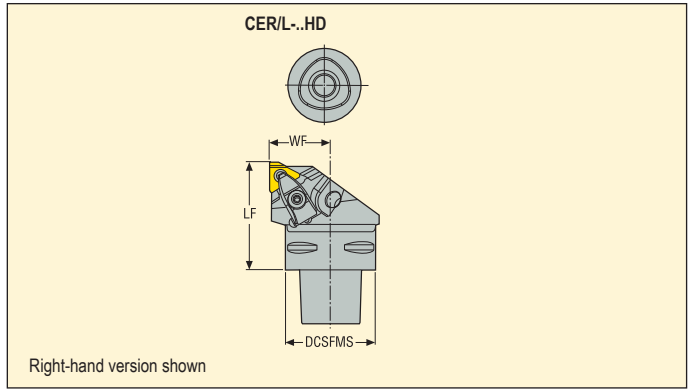
Please check availability in current price and stock-list

## Toolholders for S-inserts

Snap-Tap®



- For inserts programme, see page(s) 84, 86, 88-89, 92-93, 96-97, 99-100, 102-104, 106, 108, 110-111, 113-115



Application	Designation	Dimensions in mm			KG		
		DCSFMS	LF	WF			
	C4-CER-27050-16HD	40,0	50,0	27,0	0,5	16..	
	C4-CEL-27050-16HD	40,0	50,0	27,0	0,5	16..	
	C4-CER-27050-22HD	40,0	50,0	27,0	0,5	22..	
	C4-CEL-27050-22HD	40,0	50,0	27,0	0,5	22..	
	C5-CER-35060-16HD	50,0	60,0	35,0	0,8	16..	
	C5-CEL-35060-16HD	50,0	60,0	35,0	0,8	16..	
	C5-CER-35060-22HD	50,0	60,0	35,0	0,8	22..	
	C5-CEL-35060-22HD	50,0	60,0	35,0	0,8	22..	
	C5-CER-35060-27HD	50,0	60,0	35,0	0,8	27..	
	C5-CEL-35060-27HD	50,0	60,0	35,0	0,8	27..	

## Spare Parts, included in delivery

For holder	Cantilever clamp	Clamp key	Clamp screw	Insert shim (S)	Shim screw	Spring
...16HD	CHD16	T15P-7	L85020-T15P	GX16-1	CS3507-T09P	S6912
...22HD	CHD22	T20P-7L	L86025-T20P	NX22-1	CS4009-T15P	S7616
...27HD	CHD27	T20P-7L	L86025-T20P	VX27-1	C05012-T15P	S7616

## Accessories, to be ordered separately

For holder	Shim key	Insert shim (M)	Insert shim (S)										
...16HD	T09P-2	MX16-1	GX16-0	GX16-2	GX16-3	GX16-4	GX16-98	GX16-99	-	-	-	-	-
...22HD	T15P-2	MX22-1	NX22-0	NX22-0.5	NX22-1.5	NX22-2	NX22-3	NX22-4	NX22-97	NX22-98	NX22-98.5	NX22-99	NX22-99.5
...27HD	T15P-7	MX27-1	VX27-0	VX27-0.5	VX27-1.5	VX27-2	VX27-3	VX27-4	-	VX27-98	VX27-98.5	VX27-99	VX27-99.5

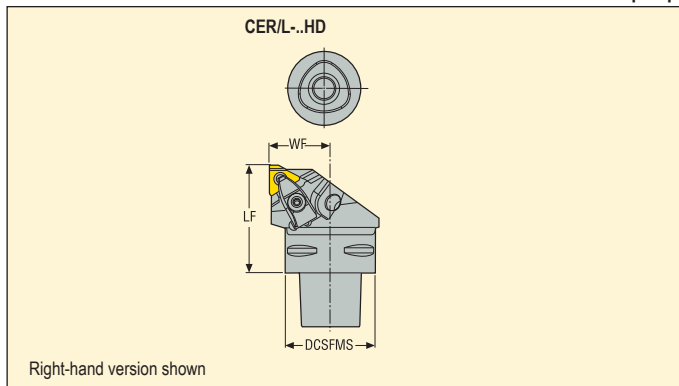
Please check availability in current price and stock-list

## Toolholders for S-inserts

Snap-Tap®



- For inserts programme, see page(s) 84, 86, 88-89, 92-93, 96-97, 99-100, 102-104, 106, 108, 110-111, 113-115



Application	Designation	Dimensions in mm			KG	Snap-Tap	
		DCSFMS	LF	WF			
	<b>C6-CER-45065-16HD</b>	63,0	65,0	45,0	1,3	16..	
	<b>C6-CEL-45065-16HD</b>	63,0	65,0	45,0	1,3	16..	
	<b>C6-CER-45065-22HD</b>	63,0	65,0	45,0	1,3	22..	
	<b>C6-CEL-45065-22HD</b>	63,0	65,0	45,0	1,3	22..	
	<b>C6-CER-45065-27HD</b>	63,0	65,0	45,0	1,3	27..	
	<b>C6-CEL-45065-27HD</b>	63,0	65,0	45,0	1,3	27..	

## Spare Parts, included in delivery

For holder	Cantilever clamp	Clamp key	Clamp screw	Insert shim (S)	Shim screw	Spring
...16HD	CHD16	T15P-7	L85020-T15P	GX16-1	CS3507-T09P	S6912
...22HD	CHD22	T20P-7L	L86025-T20P	NX22-1	CS4009-T15P	S7616
...27HD	CHD27	T20P-7L	L86025-T20P	VX27-1	C05012-T15P	S7616

## Accessories, to be ordered separately

For holder	Shim key	Insert shim (M)	Insert shim (S)										
			GX16-0	GX16-2	GX16-3	GX16-4	GX16-98	GX16-99	-	-	-	-	
...16HD	T09P-2	MX16-1	GX16-0	GX16-2	GX16-3	GX16-4	GX16-98	GX16-99	-	-	-	-	-
...22HD	T15P-2	MX22-1	NX22-0	NX22-0.5	NX22-1.5	NX22-2	NX22-3	NX22-4	NX22-97.5	NX22-98	NX22-98.5	NX22-99	NX22-99.5
...27HD	T15P-2	MX27-1	VX27-0	VX27-0.5	VX27-1.5	VX27-2	VX27-3	VX27-4	-	VX27-98	VX27-98.5	VX27-99	VX27-99.5

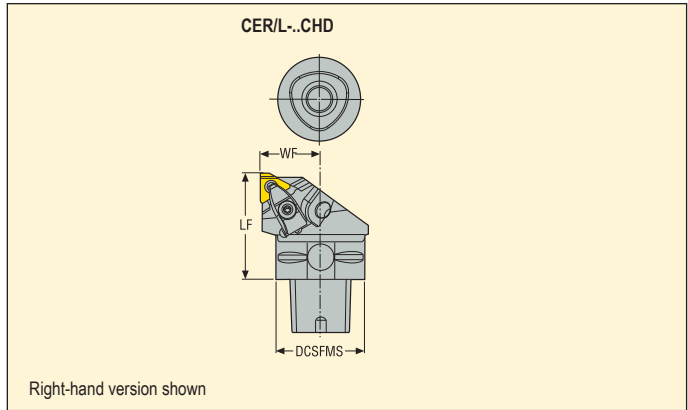
Please check availability in current price and stock-list

## Toolholders for S-inserts

Snap-Tap®



- For inserts programme, see page(s) 84, 86, 88-89, 92-93, 96-97, 99-100, 102-104, 106, 108, 113



Application	Designation	Dimensions in mm			KG	
		DCSFMS	LF	WF		
	C4-CER-27050-16CHD	40,0	50,0	27,0	0,5	16
	C4-CEL-27050-16CHD	40,0	50,0	27,0	0,5	16
	C5-CER-35060-16CHD	50,0	60,0	35,0	0,8	16
	C5-CEL-35060-16CHD	50,0	60,0	35,0	0,8	16
	C6-CER-45065-16CHD	63,0	65,0	45,0	1,3	16
	C6-CEL-45065-16CHD	63,0	65,0	45,0	1,3	16

## Spare Parts, included in delivery

For holder	Cantilever clamp	Clamp key	Clamp screw	Insert shim (S)	Shim screw	Spring
...16CHD	CHD16	T15P-7	L85020-T15P	GX16-1	CS3507-T09P	S6912

## Accessories, to be ordered separately

For holder	Shim key	Insert shim (M)	Insert shim (S)						
...16CHD	T09P-2	MX16-1	GX16-0	GX16-2	GX16-3	GX16-4	GX16-98	GX16-99	

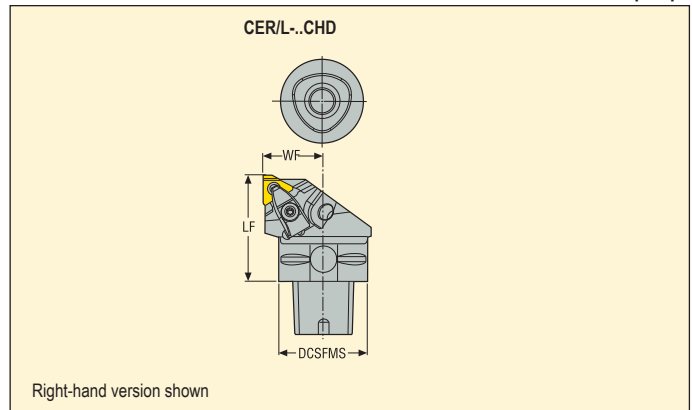
Please check availability in current price and stock-list

## Toolholders for S-inserts

Snap-Tap®



- For inserts programme, see page(s) 84, 86, 88-89, 92-93, 97, 100, 103-104, 106, 108, 110-111, 113-115



Application	Designation	Dimensions in mm			KG	
		DCSFMS	LF	WF		
	C4-CER-27050-22CHD	40,0	50,0	27,0	0,5	22
	C4-CEL-27050-22CHD	40,0	50,0	27,0	0,5	22
	C5-CER-35060-22CHD	50,0	60,0	35,0	0,8	22
	C5-CEL-35060-22CHD	50,0	60,0	35,0	0,8	22
	C6-CER-45065-22CHD	63,0	65,0	45,0	1,3	22
	C6-CEL-45065-22CHD	63,0	65,0	45,0	1,3	22
	C6-CER-45065-27CHD	63,0	65,0	45,0	1,3	27
	C6-CEL-45065-27CHD	63,0	65,0	45,0	1,3	27

## Spare Parts, included in delivery

For holder	Cantilever clamp	Clamp key	Clamp screw	Insert shim (S)	Shim screw	Spring
...22CHD	CHD22	T20P-7L	L86025-T20P	NX22-1	CS4009-T15P	S7616
...27CHD	CHD27	T20P-7L	L86025-T20P	VX27-1	C05012-T15P	S7616

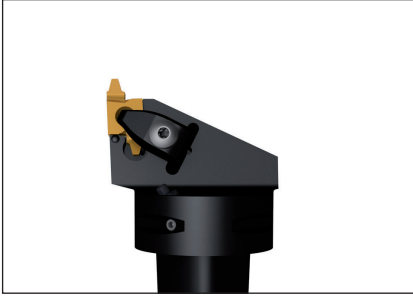
## Accessories, to be ordered separately

For holder	Shim key	Insert shim (M)	Insert shim (S)																	
...22CHD	T15P-2	MX22-1	NX22-0	NX22-0.5	NX22-1.5	NX22-2	NX22-3	NX22-4	NX22-97.5	NX22-98	NX22-98.5	NX22-99	NX22-99.5							
...27CHD	T15P-2	MX27-1	VX27-0	VX27-0.5	VX27-1.5	VX27-2	VX27-3	VX27-4	-	VX27-98	VX27-98.5	VX27-99	VX27-99.5							

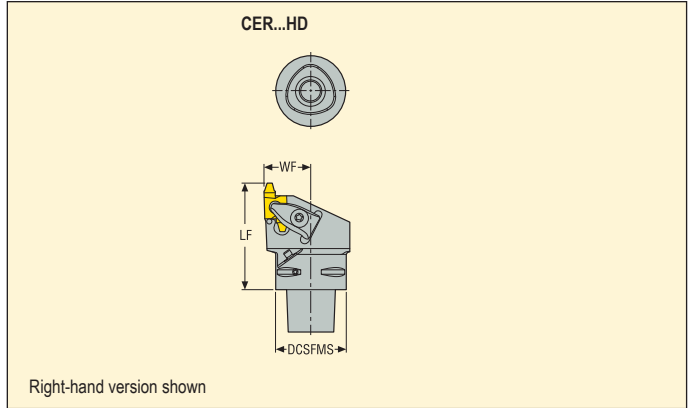
Please check availability in current price and stock-list

## Toolholders for K-inserts

Snap-Tap®



• For inserts programme, see page(s) 84-87, 104, 106, 108



Application	Designation	Dimensions in mm			KG	
		DCSFMS	LF	WF		
	C4-CER-27060-20HD	40,0	60,0	27,0	0,6	20..
	C4-CER-27065-26HD	40,0	65,0	27,0	0,6	26..
	C5-CER-35060-20HD	50,0	60,0	35,0	0,8	20..
	C5-CER-35065-26HD	50,0	65,0	35,0	0,8	26..
	C6-CER-45065-20HD	63,0	65,0	45,0	1,3	20..
	C6-CER-45070-26HD	63,0	70,0	45,0	1,5	26..

## Spare Parts, included in delivery

For holder	Cantilever clamp	Clamp key	Clamp screw	Insert shim (K)	Shim screw	Spring
...20HD	CHD22	T20P-7	L86025-T20P	KX20-2	CS4009-T15P	S7616
...26HD	CHD27	T20P-7	L86025-T20P	KX26-2	C05012-T15P	S7616

## Accessories, to be ordered separately

For holder	Shim key	Insert shim (K)					
...20HD	T15P-2	KX20-0	KX20-1	KX20-3	KX20-4	KX20-5	KX20-99
...26HD	T15P-2	KX26-0	KX26-1	KX26-3	KX26-4	KX26-5	KX26-99

Please check availability in current price and stock-list

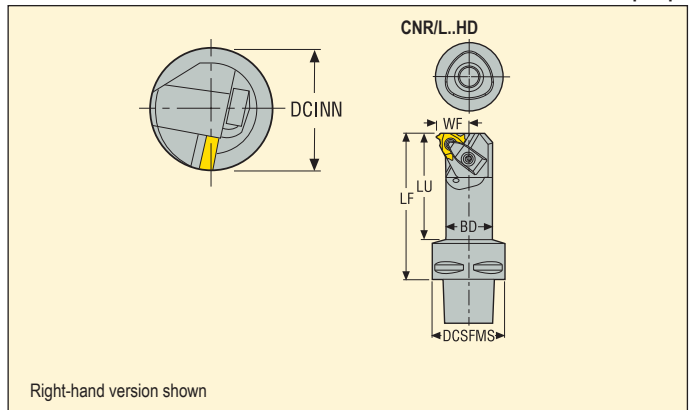


## Toolholders for S-inserts

Snap-Tap®



- For inserts programme, see page(s) 85, 87, 90-91, 94-95, 98-99, 101-103, 105, 107, 109-110, 112-115



Application	Designation	Dimensions in mm						KG	mm	
		BD	DCSFMS	WF	DCINN	LF	LU			
	<b>C4-SNR-10060-16</b>	16,0	40,0	10,0	19,0	60,0	37,0	0,3	16..	
	<b>C4-CNR-14060-16HD</b>	20,0	40,0	13,8	24,0	60,0	36,0	0,4	16..	
	<b>C4-CNR-17070-16HD</b>	25,0	40,0	16,3	29,0	70,0	48,0	0,5	16..	
	<b>C4-CNR-20090-16HD</b>	32,0	40,0	19,8	36,0	90,0	69,0	0,7	16..	
	<b>C4-CNL-14060-16HD</b>	20,0	40,0	13,8	24,0	60,0	36,0	0,4	16..	
	<b>C4-CNL-17070-16HD</b>	25,0	40,0	16,3	29,0	70,0	48,0	0,5	16..	
	<b>C4-CNL-20090-16HD</b>	32,0	40,0	19,8	36,0	90,0	69,0	0,7	16..	
	<b>C4-CNR-22090-22HD</b>	32,0	40,0	21,3	38,0	90,0	69,0	0,6	22..	
	<b>C4-CNL-22090-22HD</b>	32,0	40,0	21,3	38,0	90,0	69,0	0,6	22..	

## Spare Parts, included in delivery

For holder	Cantilever clamp	Clamp key	Clamp kit	Clamp screw	Insert key	Insert screw	Insert shim (S)	Shim screw	Spring
...10060-16	–	–	–	–	T15P-2	C03508-T15P	–	–	–
...14060, 17070-16HD	–	T15P-2	CSP16HD-T15P	–	–	–	GX16-1	CS3507-T09P	–
...20090-16HD	CHD16	T15P-2	–	L85020-T15P	–	–	GX16-1	CS3507-T09P	S6912
...22090-22HD	–	T15P-2	CSP22HD-T15P	–	–	–	NX22-1	CS4009-T15P	–

## Accessories, to be ordered separately

For holder	Shim key	Insert shim (M)	Insert shim (S)										
...10060-16	–	–	–	–	–	–	–	–	–	–	–	–	–
...14060, 17070-16HD	T09P-2	MX16-1	GX16-0	GX16-2	GX16-3	GX16-4	GX16-98	GX16-99	–	–	–	–	–
...20090-16HD	T09P-2	MX16-1	GX16-0	GX16-2	GX16-3	GX16-4	GX16-98	GX16-99	–	–	–	–	–
...22090-22HD	–	MX22-1	NX22-0	NX22-0.5	NX22-1.5	NX22-2	NX22-3	NX22-4	NX22-97.5	NX22-98	NX22-98.5	NX22-99	NX22-99.5

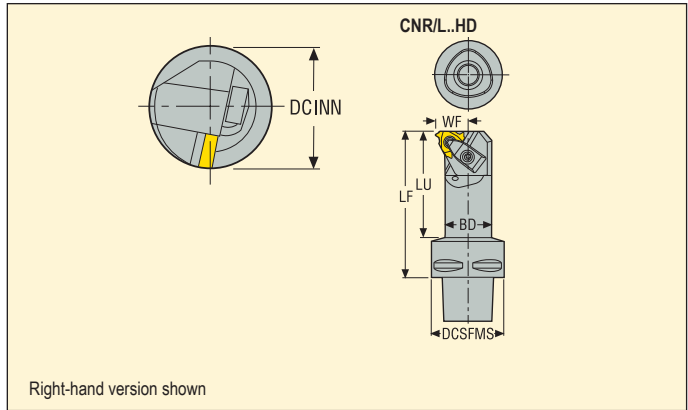
Please check availability in current price and stock-list

## Toolholders for S-inserts

Snap-Tap®



- For inserts programme, see page(s) 85, 87, 90-91, 94-95, 98-99, 101-103, 105, 107, 109-110, 112-115



Application	Designation	Dimensions in mm						KG	
		BD	DCSFMS	WF	DCINN	LF	LU		
	C5-CNR-14060-16HD	20,0	50,0	13,8	24,0	60,0	36,0	0,6	16..
	C5-CNR-17070-16HD	25,0	50,0	16,3	29,0	70,0	47,0	0,6	16..
	C5-CNR-20090-16HD	32,0	50,0	19,8	36,0	90,0	68,0	0,8	16..
	C5-CNL-14060-16HD	20,0	50,0	13,8	24,0	60,0	36,0	0,6	16..
	C5-CNL-17070-16HD	25,0	50,0	16,3	29,0	70,0	47,0	0,6	16..
	C5-CNL-20090-16HD	32,0	50,0	19,8	36,0	90,0	68,0	0,8	16..
	C5-CNR-18070-22HD	25,0	50,0	17,8	30,0	70,0	47,0	0,6	22..
	C5-CNR-22090-22HD	32,0	50,0	21,3	38,0	90,0	68,0	0,8	22..
	C5-CNL-18070-22HD	25,0	50,0	17,8	30,0	70,0	47,0	0,6	22..
	C5-CNL-22090-22HD	32,0	50,0	21,3	38,0	90,0	68,0	0,8	22..
	C5-CNR-26105-27HD	40,0	50,0	24,78	46,0	105,0	83,7	1,2	27..
	C5-CNL-26105-27HD	40,0	50,0	24,78	46,0	105,0	83,7	1,2	27..

## Spare Parts, included in delivery

For holder	Cantilever clamp	Clamp key	Clamp kit	Clamp screw	Insert shim (S)	Shim screw	Spring
...14060, 17070-16HD	–	T15P-2	CSP16HD-T15P	–	GX16-1	CS3507-T09P	–
...20090-16HD	CHD16	T15P-2	–	L85020-T15P	GX16-1	CS3507-T09P	S6912
...22HD	–	T15P-2	CSP22HD-T15P	–	NX22-1	CS4009-T15P	–
...27HD	CHD27	T20P-7	–	L86025-T20P	VX27-1	C05012-T15P	S7616

## Accessories, to be ordered separately

For holder	Shim key	Insert shim (M)	Insert shim (S)										
...14060, 17070-16HD	T09P-2	MX16-1	GX16-0	GX16-2	GX16-3	GX16-4	GX16-98	GX16-99	–	–	–	–	–
...20090-16HD	T09P-2	MX16-1	GX16-0	GX16-2	GX16-3	GX16-4	GX16-98	GX16-99	–	–	–	–	–
...22HD	T15P-2	MX22-1	NX22-0	NX22-0.5	NX22-1.5	NX22-2	NX22-3	NX22-4	NX22-97.5	NX22-98	NX22-98.5	NX22-99	NX22-99.5
...27HD	T15P-2	MX27-1	VX27-0	VX27-0.5	VX27-1.5	VX27-2	VX27-3	VX27-4	–	VX27-98	VX27-98.5	VX27-99	VX27-99.5

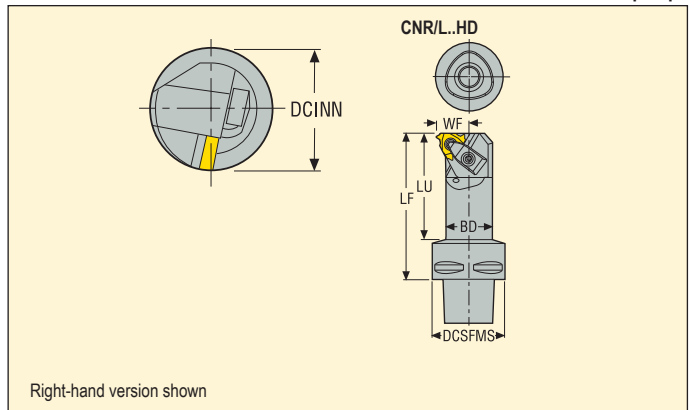
Please check availability in current price and stock-list

## Toolholders for S-inserts

Snap-Tap®



- For inserts programme, see page(s) 85, 87, 90-91, 94-95, 98-99, 101-103, 105, 107, 109,113



Application	Designation	Dimensions in mm						KG	
		BD	DCSFMS	WF	DCINN	LF	LU		
	C6-CNR-17075-16HD	25,0	63,0	16,3	29,0	75,0	53,0	0,9	16
	C6-CNR-20090-16HD	32,0	63,0	19,8	36,0	90,0	68,0	1,1	16
	C6-CNR-24105-16HD	40,0	63,0	23,8	44,0	105,0	80,0	1,5	16
	C6-CNL-17075-16HD	25,0	63,0	16,3	29,0	75,0	53,0	0,9	16
	C6-CNL-20090-16HD	32,0	63,0	19,8	36,0	90,0	68,0	1,1	16
	C6-CNL-24105-16HD	40,0	63,0	23,8	44,0	105,0	80,0	1,5	16

## Spare Parts, included in delivery

For holder	Cantilever clamp	Clamp key	Clamp kit	Clamp screw	Insert shim (S)	Shim screw	Spring
...17075-16HD	–	T15P-2	CSP16HD-T15P	–	GX16-1	CS3507-T09P	–
...20090, 24105-16HD	CHD16	T15P-2	–	L85020-T15P	GX16-1	CS3507-T09P	S6912

## Accessories, to be ordered separately

For holder	Shim key	Insert shim (M)	Insert shim (S)					
...17075-16HD	T09P-2	MX16-1	GX16-0	GX16-2	GX16-3	GX16-4	GX16-98	GX16-99
...20090, 24105-16HD	T09P-2	MX16-1	GX16-0	GX16-2	GX16-3	GX16-4	GX16-98	GX16-99

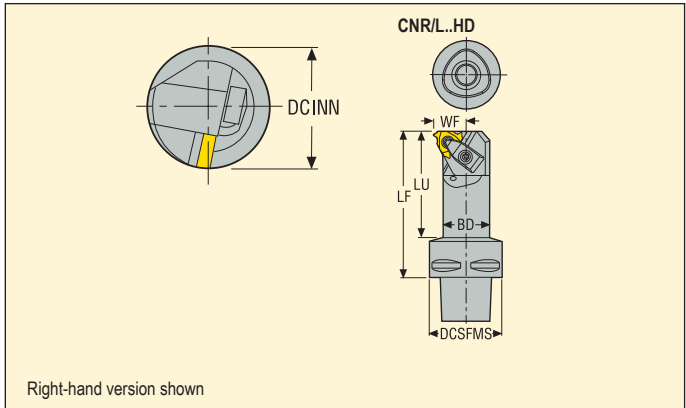
Please check availability in current price and stock-list

## Toolholders for S-inserts

Snap-Tap®



- For inserts programme, see page(s) 85, 87, 90-91, 94-95, 98, 101, 103, 105, 107, 109-110, 112, 114-115



Application	Designation	Dimensions in mm						KG	
		BD	DCSFMS	WF	DCINN	LF	LU		
	C6-CNR-18075-22HD	25,0	63,0	17,8	30,0	75,0	53,0	0,9	22
	C6-CNR-22090-22HD	32,0	63,0	21,3	38,0	90,0	68,0	1,1	22
	C6-CNR-26105-22HD	40,0	63,0	25,3	46,0	105,0	80,0	1,5	22
	C6-CNL-18075-22HD	25,0	63,0	17,8	30,0	75,0	53,0	0,9	22
	C6-CNL-22090-22HD	32,0	63,0	21,3	38,0	90,0	68,0	1,1	22
	C6-CNL-26105-22HD	40,0	63,0	25,3	46,0	105,0	80,0	1,5	22

## Spare Parts, included in delivery

For holder	Cantilever clamp	Clamp key	Clamp kit	Clamp screw	Insert shim (S)	Shim screw	Spring
..CNR-18075, 22090..	–	T15P-2	CSP22HD-T15P	–	NX22-1	CS4009-T15P	–
..CNR/CNL-26105..	CHD22	T20P-7L	–	L86025-T20P	NX22-1	CS4009-T15P	S7616
..CNL-18075, 22090..	–	T15P-2	CSP22HD-T15P	–	NX22-1	CS4009-T15P	–

## Accessories, to be ordered separately

For holder	Shim key	Insert shim (M)	Insert shim (S)													
..CNR-18075, 22090..	T15P-2	MX22-1	NX22-0	NX22-0.5	NX22-1.5	NX22-2	NX22-3	NX22-4	NX22-97.5	NX22-98	NX22-98.5	NX22-99	NX22-99.5			
..CNR/CNL-26105..	T15P-2	MX22-1	NX22-0	NX22-0.5	NX22-1.5	NX22-2	NX22-3	NX22-4	NX22-97.5	NX22-98	NX22-98.5	NX22-99	NX22-99.5			
..CNL-18075, 22090..	–	MX22-1	NX22-0	NX22-0.5	NX22-1.5	NX22-2	NX22-3	NX22-4	NX22-97.5	NX22-98	NX22-98.5	NX22-99	NX22-99.5			

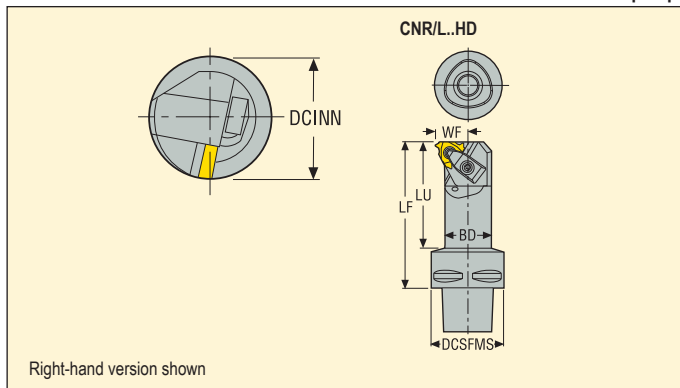
Please check availability in current price and stock-list

## Toolholders for S-inserts

Snap-Tap®



- For inserts programme, see page(s) 90-91, 94, 103, 105, 107, 109-110, 112-113



Application	Designation	Dimensions in mm						KG	mm	
		BD	DCSFMS	WF	DCINN	LF	LU			
	<b>C6-CNR-26105-27HD</b>	40,0	63,0	25,3	46,0	105,0	77,0	1,6	27	
	<b>C6-CNR-36182-27HD</b>	63,0	63,0	36,0	70,0	182,0	–	4,1	27	
	<b>C6-CNL-26105-27HD</b>	40,0	63,0	25,3	46,0	105,0	77,0	1,6	27	
	<b>C6-CNL-36182-27HD</b>	63,0	63,0	36,0	70,0	182,0	–	4,1	27	
	<b>C8-CNR-36190-27HD</b>	54,0	80,0	36,0	70,0	190,0	160,0	4,2	27	
	<b>C8-CNL-36190-27HD</b>	54,0	80,0	36,0	70,0	190,0	160,0	4,2	27	
	<b>C8-CNR-36190-27HD-OG</b>	63,0	80,0	36,28	70,0	190,0	160,0	4,9	27	

## Spare Parts, included in delivery

For holder	Cantilever clamp	Clamp key	Clamp screw	Insert shim (S)	Shim screw	Spring
...27HD, ...27HD-OG	CHD27	T20P-7	L86025-T20P	VX27-1	C05012-T15P	S7616

## Accessories, to be ordered separately

For holder	Shim key	Insert shim (M)	Insert shim (S)									
...27HD, ...27HD-OG	T15P-2	MX27-1	VX27-0	VX27-0.5	VX27-1.5	VX27-2	VX27-3	VX27-4	VX27-98	VX27-98.5	VX27-99	VX27-99.5

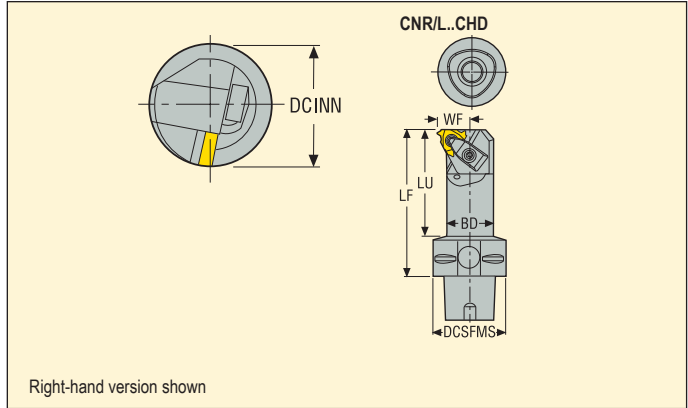
Please check availability in current price and stock-list

## Toolholders for S-inserts

Snap-Tap®



- For inserts programme, see page(s) 85, 87, 90-91, 94-95, 98-99, 101-103, 105, 107, 109-110, 112-115



Application	Designation	Dimensions in mm						KG		
		BD	DCSFMS	WF	DCINN	LF	LU			
	C4-CNR-14060-16CHD	20,0	40,0	13,8	24,0	60,0	36,0	0,4	16	
	C4-CNL-14060-16CHD	20,0	40,0	13,8	24,0	60,0	36,0	0,4	16	
	C5-CNR-17070-16CHD	25,0	50,0	16,3	29,0	70,0	47,0	0,6	16	
	C5-CNR-20090-16CHD	32,0	50,0	19,8	36,0	90,0	68,0	0,8	16	
	C5-CNL-17070-16CHD	25,0	50,0	16,3	29,0	70,0	47,0	0,6	16	
	C5-CNL-20090-16CHD	32,0	50,0	19,8	36,0	90,0	68,0	0,8	16	
	C5-CNR-18070-22CHD	25,0	50,0	17,8	30,0	70,0	47,0	0,6	22	
	C5-CNL-18070-22CHD	25,0	50,0	17,8	30,0	70,0	47,0	0,6	22	

## Spare Parts, included in delivery

For holder	Cantilever clamp	Clamp key	Clamp kit	Clamp screw	Insert shim (S)	Shim screw	Spring
...14060, ...17070-16CHD	–	T15P-2	CSP16HD-T15P	–	GX16-1	CS3507-T09P	–
...20090-16CHD	CHD16	T15P-2	–	L85020-T15P	GX16-1	CS3507-T09P	S6912
...18070-22CHD	–	T15P-2	CSP22HD-T15P	–	NX22-1	CS4009-T15P	–

## Accessories, to be ordered separately

For holder	Shim key	Insert shim (M)	Insert shim (S)										
...14060, ...17070-16CHD	T09P-2	MX16-1	GX16-0	GX16-2	GX16-3	GX16-4	GX16-98	GX16-99	–	–	–	–	–
...20090-16CHD	T09P-2	MX16-1	GX16-0	GX16-2	GX16-3	GX16-4	GX16-98	GX16-99	–	–	–	–	–
...18070-22CHD	–	MX22-1	NX22-0	NX22-0.5	NX22-1.5	NX22-2	NX22-3	NX22-4	NX22-97.5	NX22-98	NX22-98.5	NX22-99	NX22-99.5

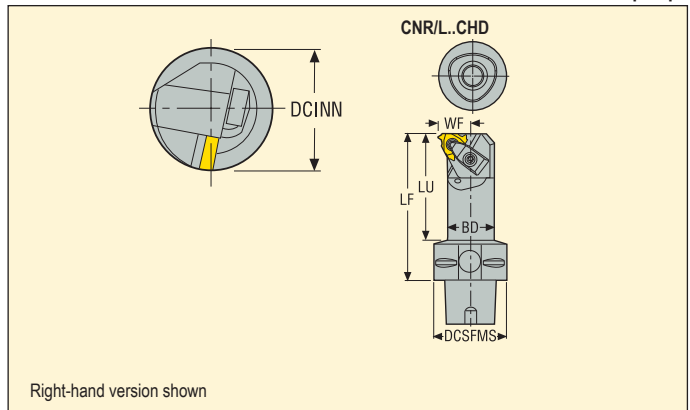
Please check availability in current price and stock-list

## Toolholders for S-inserts

Snap-Tap®



- For inserts programme, see page(s) 85, 87, 90-91, 94-95, 98-99, 101-103, 105, 107, 109-110, 112-115



Application	Designation	Dimensions in mm						KG		
		BD	DCSFMS	WF	DCINN	LF	LU			
	C6-CNR-20090-16CHD	32,0	63,0	19,8	36,0	90,0	68,0	1,1	16	
	C6-CNR-24105-16CHD	40,0	63,0	23,8	44,0	105,0	80,0	1,5	16	
	C6-CNL-20090-16CHD	32,0	63,0	19,8	36,0	90,0	68,0	1,1	16	
	C6-CNL-24105-16CHD	40,0	63,0	23,8	44,0	105,0	80,0	1,5	16	
	C6-CNR-22090-22CHD	32,0	63,0	21,3	38,0	90,0	68,0	1,1	22	
	C6-CNR-26105-22CHD	40,0	63,0	25,3	46,0	105,0	80,0	1,5	22	
	C6-CNL-22090-22CHD	32,0	63,0	21,3	38,0	90,0	68,0	1,1	22	
	C6-CNL-26105-22CHD	40,0	63,0	25,3	46,0	105,0	80,0	1,5	22	

## Spare Parts, included in delivery

For holder	Cantilever clamp	Clamp key	Clamp kit	Clamp screw	Insert shim (S)	Shim screw	Spring
...16CHD	CHD16	T15P-2	–	L85020-T15P	GX16-1	CS3507-T09P	S6912
...22090-22CHD	–	T15P-2	CSP22HD-T15P	–	NX22-1	CS4009-T15P	–
...26105-22CHD	CHD22	T20P-7L	–	L86025-T20P	NX22-1	CS4009-T15P	S7616

## Accessories, to be ordered separately

For holder	Shim key	Insert shim (M)	Insert shim (S)										
...16CHD	T09P-2	MX16-1	GX16-0	GX16-2	GX16-3	GX16-4	GX16-98	GX16-99	–	–	–	–	–
...22090-22CHD	T15P-2	MX22-1	NX22-0	NX22-0.5	NX22-1.5	NX22-2	NX22-3	NX22-4	NX22-97.5	NX22-98	NX22-98.5	NX22-99	NX22-99.5
...26105-22CHD	T15P-2	MX22-1	NX22-0	NX22-0.5	NX22-1.5	NX22-2	NX22-3	NX22-4	NX22-97.5	NX22-98	NX22-98.5	NX22-99	NX22-99.5

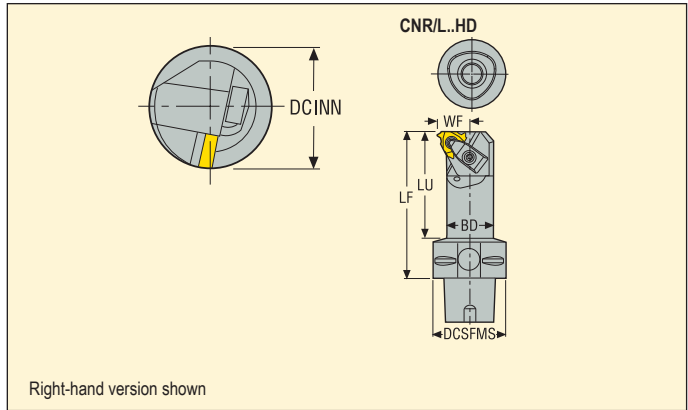
Please check availability in current price and stock-list

## Toolholders for S-inserts

Snap-Tap®



- For inserts programme, see page(s) 90-91, 94, 103, 105, 107, 109-110, 112-113



Application	Designation	Dimensions in mm						KG	
		BD	DCSFMS	WF	DCINN	LF	LU		
	<b>C6-CNR-26105-27CHD</b>	40,0	63,0	25,3	46,0	105,0	80,0	1,5	27
	<b>C6-CNR-36182-27CHD</b>	63,0	63,0	36,0	70,0	182,0	–	4,1	27
	<b>C6-CNL-26105-27CHD</b>	40,0	63,0	25,3	46,0	105,0	80,0	1,5	27
	<b>C6-CNL-36182-27CHD</b>	63,0	63,0	36,0	70,0	182,0	–	4,1	27
	<b>C8-CNL-36190-27CHD</b>	63,0	80,0	36,0	70,0	190,0	160,0	5,0	27
	<b>C8-CNR-36190-27CHD</b>	63,0	80,0	36,0	70,0	190,0	160,0	5,0	27

## Spare Parts, included in delivery

For holder	Cantilever clamp	Clamp key	Clamp screw	Insert shim (S)	Shim screw	Spring
...27CHD						
	CHD27	T20P-7	L86025-T20P	VX27-1	C05012-T15P	S7616

## Accessories, to be ordered separately

For holder	Shim key	Insert shim (M)	Insert shim (S)											
...27CHD	T15P-2	MX27-1	VX27-0	VX27-0.5	VX27-1.5	VX27-2	VX27-3	VX27-4	VX27-98	VX27-98.5	VX27-99	VX27-99.5		

Please check availability in current price and stock-list

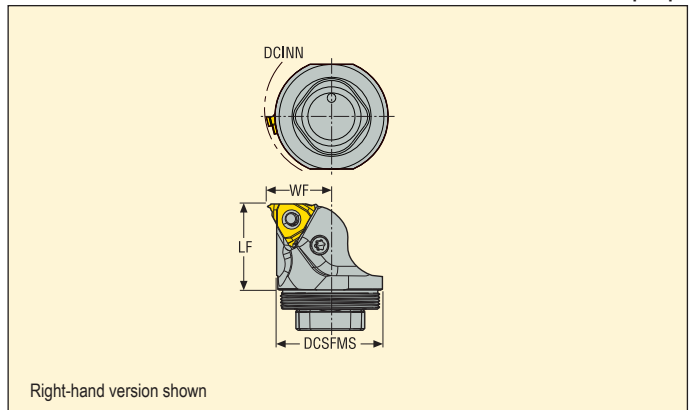


## Toolholders for S-inserts

Snap-Tap<sup>®</sup>



- For inserts programme, see page(s) 85, 87, 90-91, 94-95, 98-99, 101-103, 105, 107, 109, 113



Application	Designation	Dimensions in mm				KG	Insert width	
		DCSFMS	LF	WF	DCINN			
	GL32-PNR-20032-16AHDJET	32,0	32,0	19,8	40,0	0,2	16	
	GL32-PNL-20032-16AHDJET	32,0	32,0	19,8	40,0	0,2	16	
	GL40-PNR-24032-16AHDJET	40,0	32,0	23,8	50,0	0,2	16	
	GL40-PNL-24032-16AHDJET	40,0	32,0	23,8	50,0	0,2	16	
	GL50-PNR-29032-16AHDJET	50,0	32,0	28,8	60,0	0,3	16	
	GL50-PNL-29032-16AHDJET	50,0	32,0	28,8	60,0	0,3	16	

## Spare Parts, included in delivery

For holder	Insert lever	Insert shim (S)	Lever screw	Locking key	Shim pin
..16..	PP3712	GXA16-1	LS0612-T15P	T15P-7	AC4625

## Accessories, to be ordered separately

For holder	Insert shim (M)	Insert shim (S)						
..16..	MXA16-1	GXA16-0	GXA16-1	GXA16-2	GXA16-3	GXA16-4	GXA16-98	GXA16-99

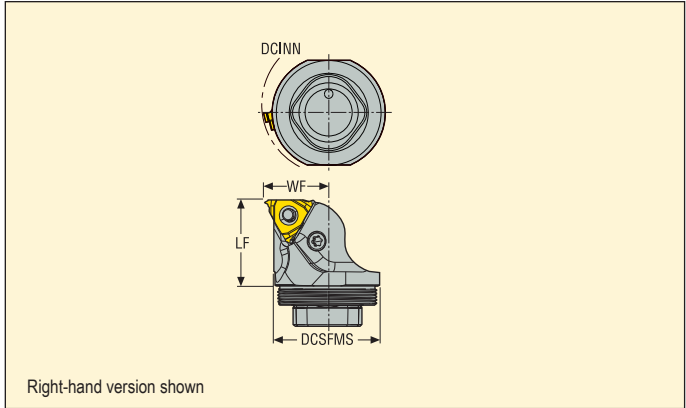
Please check availability in current price and stock-list

## Toolholders for S-inserts

Snap-Tap®



- For inserts programme, see page(s) 85, 87, 90-91, 94-95, 98, 101, 103, 105, 107, 109-110, 112-115



Application	Designation	Dimensions in mm				KG	
		DCSFMS	LF	WF	DCINN		
	GL32-PNR-22032-22AHDJET	32,0	32,0	21,3	40,0	0,2	22
	GL32-PNL-22032-22AHDJET	32,0	32,0	21,3	40,0	0,2	22
	GL40-PNR-26032-22AHDJET	40,0	32,0	25,3	50,0	0,3	22
	GL40-PNL-26032-22AHDJET	40,0	32,0	25,3	50,0	0,3	22
	GL50-PNR-31032-22AHDJET	50,0	32,0	30,3	60,0	0,4	22
	GL50-PNL-31032-22AHDJET	50,0	32,0	30,3	60,0	0,4	22
	GL40-PNR-27037-27AHDJET	40,0	37,0	26,8	50,0	0,3	27
	GL50-PNR-32037-27AHDJET	50,0	37,0	31,8	60,0	0,4	27

## Spare Parts, included in delivery

For holder	Insert lever	Insert shim (S)	Lever screw	Locking key	Shim pin
..22A..	PP4816	NXA22-1	LS0815-T25P	T25P-7	AC5035
..27A..	PP6019	VXA27-1	LS0820-T25P	T25P-7	AC6050

## Accessories, to be ordered separately

For holder	Insert shim (M)	Insert shim (S)																
..22A..	MXA22-1	NXA22-0	NXA22-0.5	NXA22-1	NXA22-1.5	NXA22-2	NXA22-3	NXA22-4	NXA22-97.5	NXA22-98	NXA22-98.5	NXA22-99	NXA22-99.5					
..27A..	MXA27-1	VXA27-0	VXA27-0.5	VXA27-1	VXA27-1.5	VXA27-2	VXA27-3	VXA27-4	-	VXA27-98	VXA27-98.5	VXA27-99	VXA27-99.5					

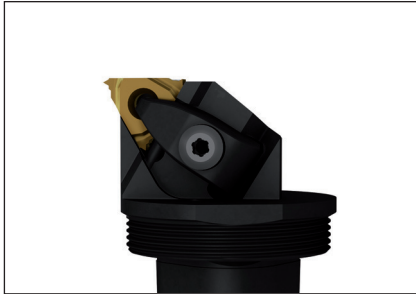
Please check availability in current price and stock-list

# Thread turning – Steadylin<sup>®</sup>, GL-heads

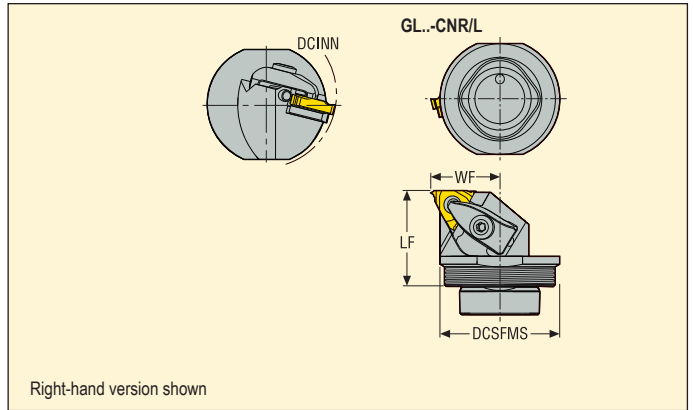


## Toolholders with GL connection for S-inserts

Snap-Tap<sup>®</sup>



- For inserts programme, see page(s) 85, 87, 90-91, 94-95, 98-99, 101-103, 107, 109, 113



Application	Designation	Dimensions in mm				KG	Insert
		DCSFMS	LF	WF	DCINN		
	GL32-CNR-20032-16AHD	32,0	32	19,8	40	0,2	16..
	GL32-CNL-20032-16AHD	32,0	32	19,8	40	0,2	16..
	GL40-CNR-24032-16AHD	40,0	32	24,0	50	0,3	16..
	GL40-CNL-24032-16AHD	40,0	32	24,0	50	0,3	16..
	GL50-CNR-29032-16AHD	50,0	32	29,0	63	0,4	16..
	GL50-CNL-29032-16AHD	50,0	32	29,0	63	0,4	16..

## Spare Parts, included in delivery

For holder	Cantilever clamp	Clamp key	Clamp screw	Insert shim (S)	Shim key	Shim screw	Spring
..-16	 CHD16	 T15P-2	 L85020-T15P	 GX16-1	 T09P-2	 CS3507-T09P	 S6912

## Accessories, to be ordered separately

For holder	Insert shim (M)	Insert shim (S)					
..-16	 MX16-1	 GX16-0	GX16-2	GX16-3	GX16-4	GX16-98	GX16-99

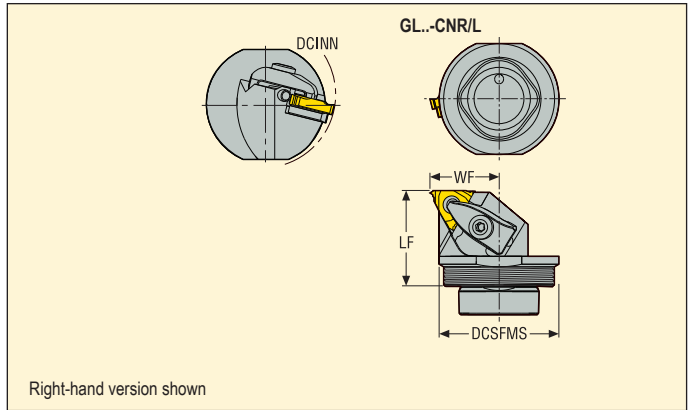
Please check availability in current price and stock-list

## Toolholders with GL connection for S-inserts

Snap-Tap®



- For inserts programme, see page(s) 84, 86, 88-89, 92-93, 97, 100, 103-104, 106, 108, 110-111, 113-115



Application	Designation	Dimensions in mm				KG		
		DCSFMS	LF	WF	DCINN			
	GL32-CNR-22032-22AHD	32,0	32	21,3	38	0,2	22..	
	GL32-CNL-22032-22AHD	32,0	32	21,3	38	0,2	22..	
	GL40-CNR-26032-22AHD	40,0	32	26,0	50	0,3	22..	
	GL40-CNL-26032-22AHD	40,0	32	26,0	50	0,3	22..	
	GL50-CNR-31032-22AHD	50,0	32	31,0	63	0,4	22..	
	GL50-CNL-31032-22AHD	50,0	32	31,0	63	0,4	22..	
	GL40-CNR-27037-27AHD	40,0	37	27,0	50	0,3	27..	
	GL50-CNR-32037-27AHD	50,0	37	32,0	58	0,4	27..	

## Spare Parts, included in delivery

For holder	Cantilever clamp	Clamp key	Clamp screw	Insert shim (S)	Shim/clamp key	Shim screw	Spring
..-22	CSP22HD-T15P	T15P-2	–	NX22-1	–	CS4009-T15P	–
..-27	CHD27	T15P-2	L86025-T20P	VX27-1	T20P-7L	C05012-T15P	S7616

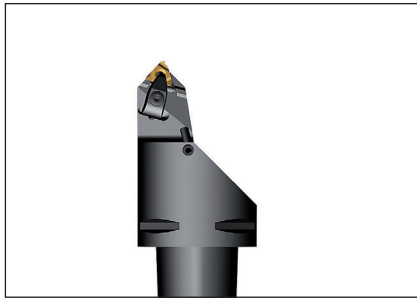
## Accessories, to be ordered separately

For holder	Shim key	Insert shim (M)	Insert shim (S)										
..-22	T15P-2	MX22-1	NX22-0	NX22-0.5	NX22-1.5	NX22-2	NX22-3	NX22-4	NX22-97.5	NX22-98	NX22-98.5	NX22-99	NX22-99.5
..-27	T15P-2	MX27-1	VX27-0	VX27-0.5	VX27-1.5	VX27-2	VX27-3	VX27-4	–	VX27-98	VX27-98.5	VX27-99	VX27-99.5

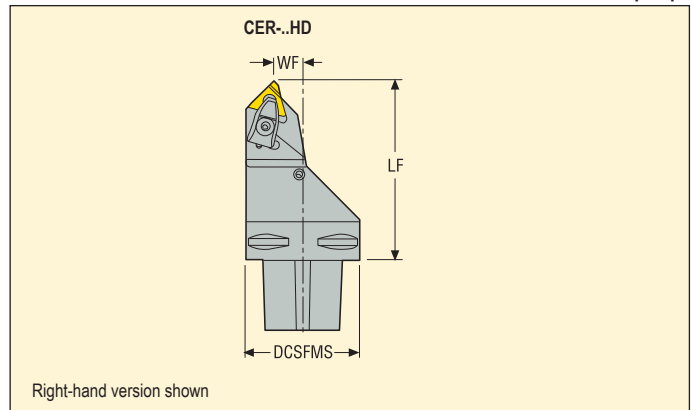
Please check availability in current price and stock-list

## Toolholders for S-inserts

Snap-Tap®



- For inserts programme, see page(s) 84, 86, 88-89, 92-93, 96-97, 99-100, 102-104, 106, 108, 110-111, 113-115



Application	Designation	Dimensions in mm			KG	
		DCSFMS	LF	WF		
	<b>C6-CER-18100-16HD</b>	63,0	100,0	18,0	1,6	16
	<b>C6-CER-16100-22HD</b>	63,0	100,0	16,0	1,6	22
	<b>C6-CER-12100-27HD</b>	63,0	100,0	12,0	1,6	27

## Spare Parts, included in delivery

For holder	Cantilever clamp	Clamp key	Clamp screw	Insert shim (S)	Shim screw	Spring
...16HD	CHD16	T15P-7	L85020-T15P	GX16-1	CS3507-T09P	S6912
...22HD	CHD22	T20P-7L	L86025-T20P	NX22-1	CS4009-T15P	S7616
...27HD	CHD27	T20P-7L	L86025-T20P	VX27-1	C05012-T15P	S7616

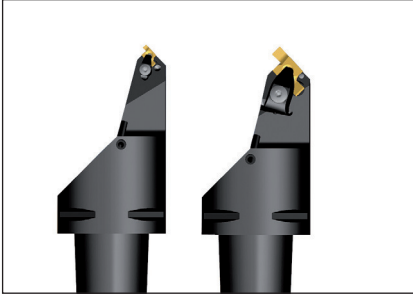
## Accessories, to be ordered separately

For holder	Shim key	Insert shim (M)	Insert shim (S)												
...16HD	T09P-2	MX16-1	GX16-0	GX16-2	GX16-3	GX16-4	GX16-98	GX16-99	-	-	-	-	-	-	-
...22HD	T15P-2	MX22-1	NX22-0	NX22-0.5	NX22-1.5	NX22-2	NX22-3	NX22-4	NX22-97.5	NX22-98	NX22-98.5	NX22-99	NX22-99.5		
...27HD	T15P-2	MX27-1	VX27-0	VX27-0.5	VX27-1.5	VX27-2	VX27-3	VX27-4	-	VX27-98	VX27-98.5	VX27-99	VX27-99.5		

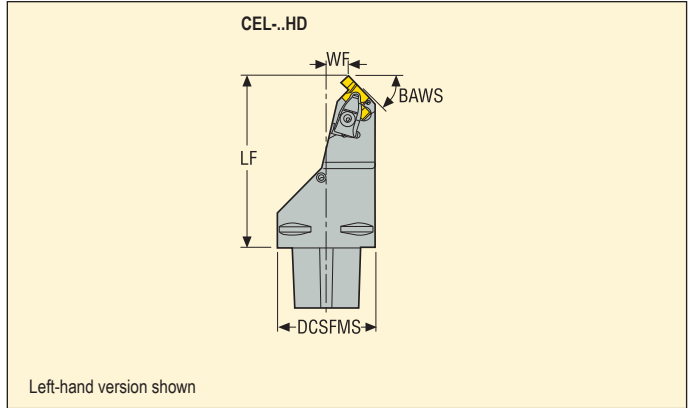
Please check availability in current price and stock-list

## Toolholders for K-inserts

Snap-Tap®



• For inserts programme, see page(s) 84-87, 104, 106, 108



Application	Designation	Dimensions in mm				KG	
		DCSFMS	LF	WF	BAWS°		
	C6-CEL-14110-20HD	63,0	110,0	14,0	45,0	1,7	20..
	C6-CEL-07110-26HD	63,0	110,0	7,0	45,0	1,7	26..

## Spare Parts, included in delivery

For holder	Cantilever clamp	Clamp key	Clamp screw	Insert shim (K)	Shim screw	Spring
...20HD	CHD22	T20P-7	L86025-T20P	KX20-2	CS4009-T15P	S7616
...26HD	CHD27	T20P-7	L86025-T20P	KX26-2	C05012-T15P	S7616

## Accessories, to be ordered separately

For holder	Shim key	Insert shim (K)					
...20HD	T15P-2	KX20-0	KX20-1	KX20-3	KX20-4	KX20-5	KX20-99
...26HD	T15P-2	KX26-0	KX26-1	KX26-3	KX26-4	KX26-5	KX26-99

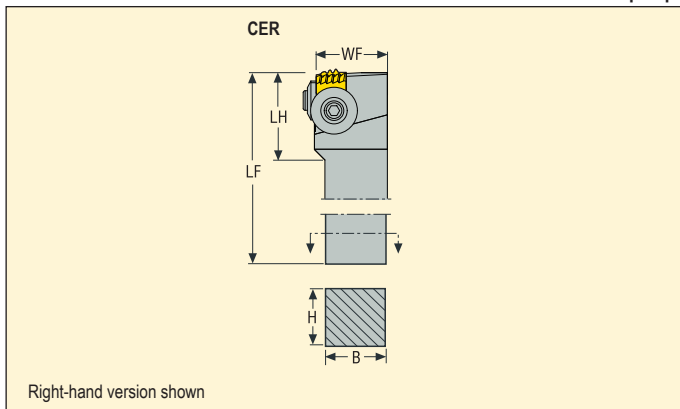
Please check availability in current price and stock-list

## Toolholders for chasers

Snap-Tap®



• For inserts programme, see page(s) 116



Application	Designation	Dimensions in mm						
		B	WF	H	LF	LH		
	CER3232P1-X	32,0	37,25	32,0	170,24	47,54	1,4	15.875
	CER3232P5-X	32,0	37,25	32,0	170,24	47,54	1,4	25.000

## Spare Parts, included in delivery

For holder	Clamp kit side	Clamp kit top	Key, side clamp	Key, top clamp
...X	 W200613-T20P	 W240618-T25P	 T20P-7	 T25P-7

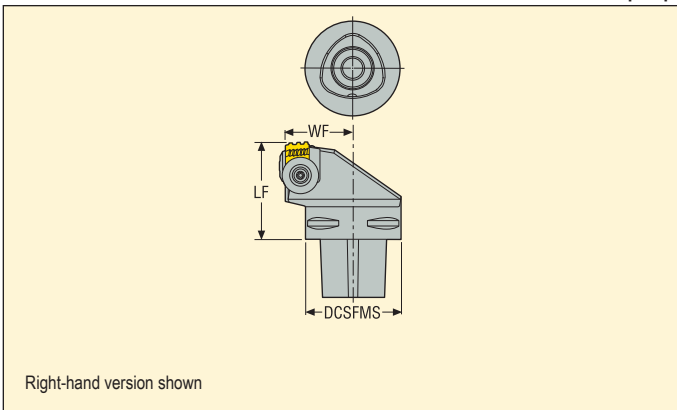
Please check availability in current price and stock-list

## Toolholders for chasers, external

Snap-Tap®



• For inserts programme, see page(s) 116



Application	Designation	Dimensions in mm			KG	INSL
		DCSFMS	WF	LF		
	C6-CER-45065-1-X	63,0	45,0	65,0	1,3	15.875
	C6-CER-45065-5-X	63,0	45,0	65,0	1,4	25.000
	C8-CER-55080-1-X	80,0	55,0	80,0	2,7	15.875
	C8-CER-55080-5-X	80,0	55,0	80,0	2,8	25.000

## Spare Parts, Parts included in delivery

For holder	Clamp kit side	Clamp kit top	Key, side clamp	Key, top clamp
C6/C8-X	W200613-T20P	W240618-T25P	T20P-7	T25P-7

Please check availability in current price and stock-list

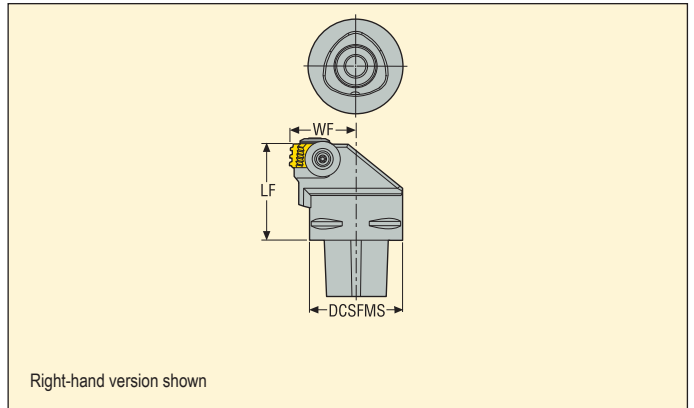



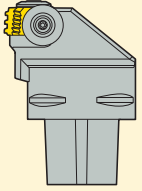
## Toolholders for chasers, internal

Snap-Tap®




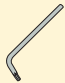


• For inserts programme, see page(s) 116



Application	Designation	Dimensions in mm			KG		
		DCSFMS	WF	LF			
	C6-CNR-45065-1-X	63,0	45,0	65,0	1,4	15.875	
	C6-CNR-45065-5-X	63,0	45,0	65,0	1,4	25.000	
	C8-CNR-55080-1-X	80,0	55,0	80,0	2,9	15.875	
	C8-CNR-55080-5-X	80,0	55,0	80,0	2,9	25.000	
	C8-CNL-55080-1-X	80,0	55,0	80,0	1,9	15.875	
	C8-CNL-55080-5-X	80,0	55,0	80,0	1,7	25.000	

## Spare Parts, Parts included in delivery

For holder	Clamp kit side	Clamp kit top	Key, side clamp	Key, top clamp
				
...CNR/CNL...	W200613-T20P	W240618-T25P	T20P-7	T25P-7

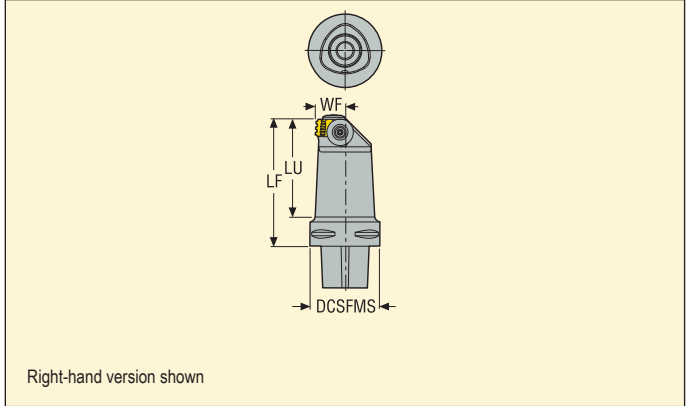
Please check availability in current price and stock-list

## Toolholders for chasers, internal

Snap-Tap®



• For inserts programme, see page(s) 116



Application	Designation	Dimensions in mm				KG	INSL	
		DCSFMS	WF	LF	LU			
	C6-CNR-27115-1-X	63,0	27,0	115,0	88,0	1,9	15.875	
	C6-CNR-27115-5-X	63,0	27,0	115,0	88,0	1,9	25.000	

## Spare Parts, Parts included in delivery

For holder	Clamp kit side	Clamp kit top	Key, side clamp	Key, top clamp
C6...	W200613-T20P	W240618-T25P	T20P-7	T25P-7

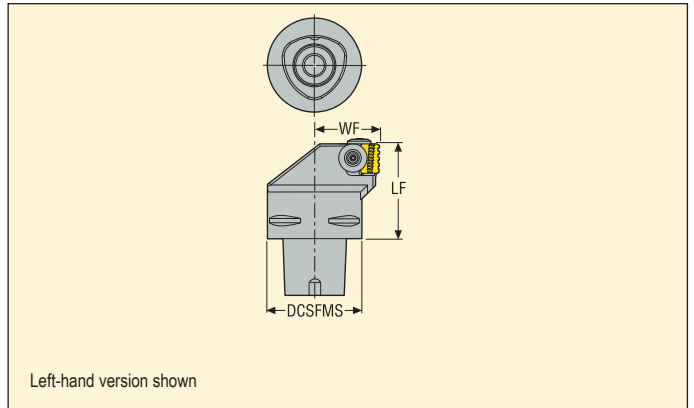
Please check availability in current price and stock-list

## Toolholders for chasers, internal

Snap-Tap®



• For inserts programme, see page(s) 116



Application	Designation	Dimensions in mm			KG	
		DCSFMS	WF	LF		
	C6-CNL-45065-1C-X	63,0	45,0	65,0	1,4	15.875
	C6-CNL-45065-5C-X	63,0	45,0	65,0	1,4	25.000
	C8-CNL-55080-1C-X	80,0	55,0	80,0	2,9	15.875
	C8-CNL-55080-5C-X	80,0	55,0	80,0	2,9	25.000

## Spare Parts, Parts included in delivery

For holder	Clamp kit side	Clamp kit top	Key, side clamp	Key, top clamp
C6/C8-X	W200613-T20P	W240618-T25P	T20P-7	T25P-7

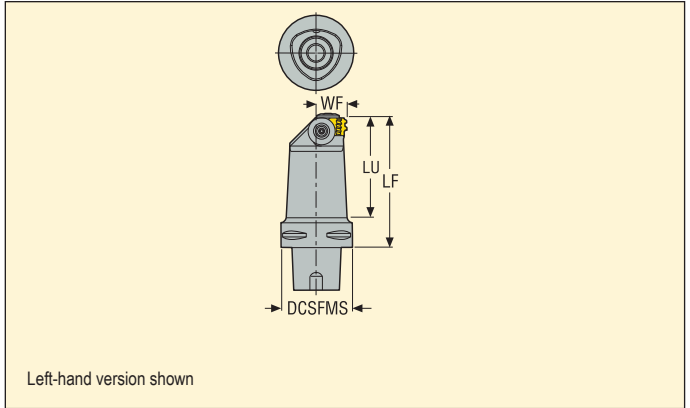
Please check availability in current price and stock-list

## Toolholders for chasers, internal

Snap-Tap®



• For inserts programme, see page(s) 116



Application	Designation	Dimensions in mm				KG	INSL
		DCSFMS	WF	LF	LH		
	C6-CNL-27115-1C-X	63,0	27,0	115,0	88,0	1,9	15.875
	C6-CNL-27115-5C-X	63,0	27,0	115,0	88,0	1,9	25.000

## Spare Parts, Parts included in delivery

For holder	Clamp kit side	Clamp kit top	Key, side clamp	Key, top clamp
C6...	W200613-T20P	W240618-T25P	T20P-7	T25P-7

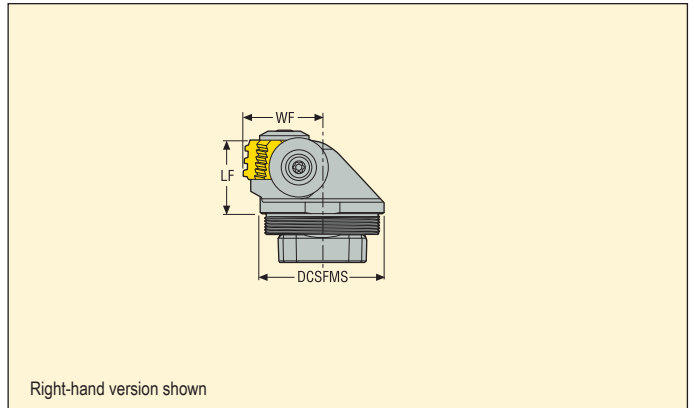
Please check availability in current price and stock-list

## Toolholders for chasers, internal

Snap-Tap<sup>®</sup>



• For inserts programme, see page(s) 116



Application	Designation	Dimensions in mm			KG	INSL	
		DCSFMS	LF	WF			
	GL50-CNR-32035-9-I	50,0	35,0	32,0	0,4	12.700	
	GL50-CNR-32038-1-X	50,0	38,0	32,0	0,4	15.875	
	GL50-CNR-32044-5-X	50,0	44,0	32,0	0,5	25.000	
	GL50-CNL-32035-9-I	50,0	35,0	32,0	0,5	12.700	
	GL50-CNL-32038-1-X	50,0	38,0	32,0	0,5	15.875	
	GL50-CNL-32044-5-X	50,0	44,0	32,0	0,5	25.000	

## Spare Parts, Parts included in delivery

For holder	Clamp kit side	Clamp kit top	Key, side clamp	Key, top clamp
...9-1	W200613-T20P	W200613-T20P	T20P-7	T20P-7
...1-X, ...5-X	W200613-T20P	W240618-T25P	T20P-7	T25P-7

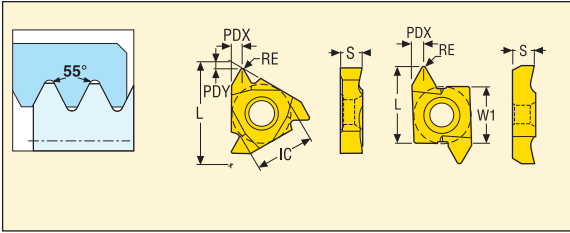
Please check availability in current price and stock-list

# Thread turning – Inserts



## Partial Profile 55° – External Threading

Snap-Tap®



Size	Dimensions in mm			
	IC	W1	L	S
16	9,525	–	16,5	3,47
22	12,7	–	22,0	4,71
26	–	15,875	26,0	7,88



Pitch		Dimensions in mm			Insert Part No. Right	Grades					Insert Part No. Left	Grades				
mm	TPI	PDY	PDX	RE		Coated		Uncoated				Coated		Uncoated		
						CP200	CP300	CP500	H15	CP200		CP300	CP500	H15		
0,5-1,5	48,0-16,0	0,6	0,8	0,08	16ERA55			■	■				■			
0,5-3,0	48,0-8,0	1,1	1,5	0,08	16ERAG55	■		■	■				■			
1,75-3,0	14,0-8,0	1,1	1,5	0,2	16ERG55	■		■	■				■			
3,5-5,0	7,0-5,0	1,8	2,5	0,4	22ERN55			■	■				■			
0,5-3,0	48,0-8,0	1,1	1,5	0,08	16ERAG55-A				■							
1,75-3,0	14,0-8,0	1,2	1,5	0,2	16ERG55-A				■							
0,5-3,0	48,0-8,0	1,1	1,5	0,08	16ERAG55-A1				■							
1,75-3,0	14,0-8,0	1,2	1,5	0,2	16ERG55-A1				■							
0,5-3,0	48,0-8,0	1,1	1,5	0,08	16ERAG55-A2				■							
1,75-3,0	14,0-8,0	1,2	1,5	0,2	16ERG55-A2				■							
5,5-10,0	4,5-2,5	–	5,0	0,7	26ERK55		■	■					■			
–	–	–	–	–	16V55				■							

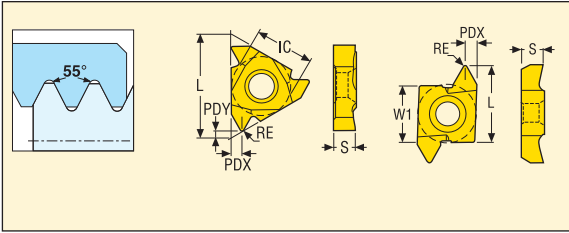
■ Stock standard  
Subject to change refer to current price- and stock-list

\* Toolset contents: 3 pcs 16ERG55, CP500, 3 pcs 16NRG55, CP500, 2 pcs 16ERA55, CP500 and 2 pcs 16NRA55, CP500

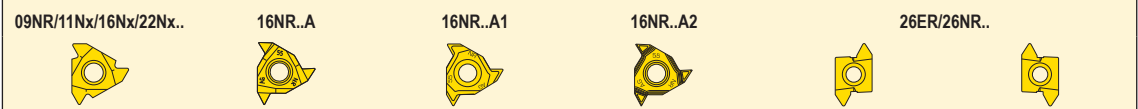
# Thread turning – Inserts

## Partial Profile 55° – Internal Threading

Snap-Tap®



Size	Dimensions in mm			
	IC	W1	L	S
09	5,56	–	9,6	2,4
11	6,35	–	11,0	3,0
16	9,525	–	16,5	3,47
22	12,7	–	22,0	4,71
26	–	15,875	26,0	7,88

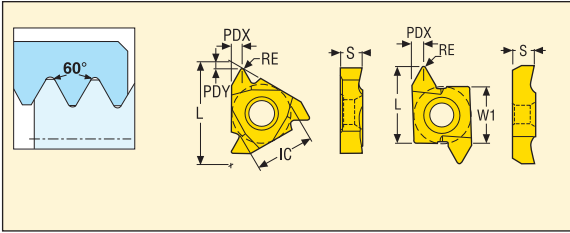


Pitch		Dimensions in mm			Insert Part No. Right	Grades					Insert Part No. Left	Grades							
						Coated		Uncoated				Coated		Uncoated					
						CP200	CP300	CP500	H15				CP200	CP300	CP500	H15			
mm	TPI	PDY	PDX	RE															
0,5-1,5	48,0-16,0	0,7	0,8	0,08	09NRA55			■											
0,5-1,5	48,0-16,0	0,6	0,8	0,08	11NRA55			■	■		11NLA55			■					
0,5-1,5	48,0-16,0	0,6	0,8	0,08	16NRA55			■	■		16NLA55			■					
0,5-3,0	48,0-8,0	1,1	1,5	0,08	16NRAG55	■		■	■		16NLAG55			■					
1,75-3,0	14,0-8,0	1,1	1,5	0,2	16NRG55	■		■	■		16NLG55			■					
3,5-5,0	7,0-5,0	1,8	2,5	0,4	22NRN55			■	■		22NLN55			■					
0,5-3,0	48,0-8,0	1,1	1,5	0,08	16NRAG55-A			■											
1,75-3,0	14,0-8,0	1,1	1,5	0,2	16NRG55-A			■											
0,5-3,0	48,0-8,0	1,1	1,5	0,08	16NRAG55-A1			■											
1,75-3,0	14,0-8,0	1,1	1,5	0,2	16NRG55-A1			■											
0,5-3,0	48,0-8,0	1,1	1,5	0,08	16NRAG55-A2			■											
1,75-3,0	14,0-8,0	1,1	1,5	0,2	16NRG55-A2			■											
5,5-10,0	4,5-2,5	–	5,0	0,7	26NRK55			■			26ERK55			■	■				

■ Stock standard  
 Subject to change refer to current price- and stock-list

## Partial Profile 60° – External Threading

Snap-Tap®



Size	Dimensions in mm			
	IC	W1	L	S
16	9,525	–	16,5	3,47
22	12,7	–	22,0	4,71
26	–	15,875	26,0	7,88



Pitch		Dimensions in mm			Insert Part No. Right	Grades					Insert Part No. Left	Grades				
mm	TPI	PDY	PDX	RE		Coated		Uncoated				Coated		Uncoated		
						CP200	CP300	CP500	H15	CP200		CP300	CP500	H15		
0,5-1,5	48,0-16,0	0,6	0,8	0,08	16ERA60	■	■	■				■				
0,5-3,0	48,0-8,0	1,1	1,5	0,08	16ERAG60	■	■	■				■				
1,75-3,0	14,0-8,0	1,1	1,5	0,18	16ERG60	■	■	■				■				
3,5-5,0	7,0-5,0	1,8	2,5	0,4	22ERN60	■	■	■	■				■			
0,5-1,5	48,0-16,0	0,6	0,8	0,08	16ERA60-A				■							
0,5-3,0	48,0-8,0	1,1	1,5	0,08	16ERAG60-A				■							
1,75-3,0	14,0-8,0	1,2	1,5	0,18	16ERG60-A				■							
0,5-1,5	48,0-16,0	0,6	0,8	0,08	16ERA60-A1				■							
0,5-3,0	48,0-8,0	1,1	1,5	0,08	16ERAG60-A1				■							
1,75-3,0	14,0-8,0	1,2	1,5	0,18	16ERG60-A1				■							
0,5-1,5	48,0-16,0	0,6	0,8	0,08	16ERA60-A2				■							
0,5-3,0	48,0-8,0	1,1	1,5	0,08	16ERAG60-A2				■							
1,75-3,0	14,0-8,0	1,2	1,5	0,18	16ERG60-A2				■							
5,5-10,0	4,5-2,5	–	5,0	0,4	26ERK60		■	■					■	■		
–	–	–	–	–	16V60				■							

■ Stock standard  
 Subject to change refer to current price- and stock-list

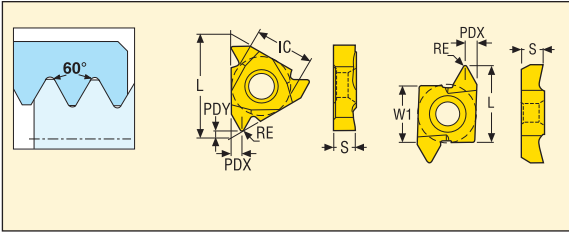
\* Toolset contents: 3 pcs 16ERG60, CP500, 3 pcs 16NRG60, CP500, 2 pcs 16ERA60, CP500 and 2 pcs 16NRA60, CP500



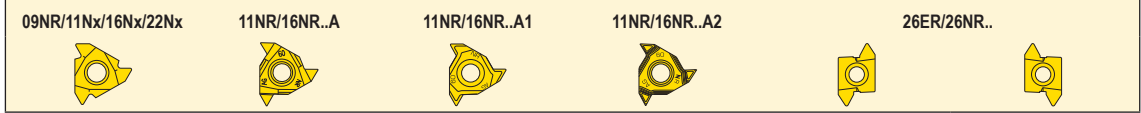
# Thread turning – Inserts

## Partial Profile 60° – Internal Threading

Snap-Tap®



Size	Dimensions in mm			
	IC	W1	L	S
09	5,56	–	9,6	2,4
11	6,35	–	11,0	3,0
16	9,525	–	16,5	3,47
22	12,7	–	22,0	4,71
26	–	15,875	26,0	7,88

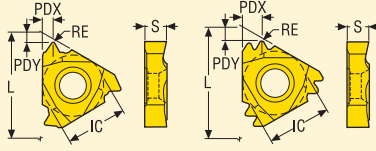
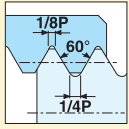


Pitch		Dimensions in mm			Insert Part No. Right	Grades					Insert Part No. Left	Grades							
mm	TPI	PDY	PDX	RE		Coated		Uncoated				Coated		Uncoated					
						CP200	CP300	CP500	H15				CP200	CP300	CP500	H15			
0,5-1,5	48,0-16,0	0,7	0,8	0,08	09NRA60			■											
0,5-1,5	48,0-16,0	0,7	0,8	0,08	11NRA60	■		■	■		11NLA60					■			
0,5-1,5	48,0-16,0	0,7	0,8	0,08	16NRA60			■	■		16NLA60					■			
0,5-3,0	48,0-8,0	1,1	1,5	0,08	16NRAG60	■		■	■		16NLAG60					■			
1,75-3,0	14,0-8,0	1,1	1,5	0,12	16NRG60	■		■	■		16NLG60					■			
3,5-5,0	7,0-5,0	1,8	2,5	0,25	22NRN60	■	■	■	■		22NLN60					■			
0,5-1,5	48,0-16,0	0,7	0,8	0,08	11NRA60-A				■										
0,5-3,0	48,0-8,0	1,1	1,5	0,08	16NRAG60-A				■										
1,75-3,0	14,0-8,0	1,2	1,5	0,12	16NRG60-A				■										
0,5-1,5	48,0-16,0	0,7	0,8	0,08	11NRA60-A1				■										
0,5-3,0	48,0-8,0	1,1	1,5	0,08	16NRAG60-A1				■										
1,75-3,0	14,0-8,0	1,2	1,5	0,12	16NRG60-A1				■										
0,5-1,5	48,0-16,0	0,7	0,8	0,08	11NRA60-A2				■										
0,5-3,0	48,0-8,0	1,1	1,5	0,08	16NRAG60-A2				■										
1,75-3,0	14,0-8,0	1,2	1,5	0,12	16NRG60-A2				■										
5,5-10,0	4,5-2,5	–	5,0	0,4	26NRK60		■	■			26ERK60		■	■					

■ Stock standard  
 Subject to change refer to current price- and stock-list

## ISO Metric – External Threading

Snap-Tap®



ISO965/1 - 1980  
3h/4h

Size	Dimensions in mm		
	IC	L	S
16	9,525	16,5	3,47
22	12,7	22,0	4,71
27	15,875	27,0	6,15

16Ex/22Ex/27ER



16ER..A



16ER..A1



16ER..A2



Pitch		Dimensions in mm			Insert Part No. Right	Grades					Insert Part No. Left	Grades				
mm	TPI	PDY	PDX	RE		Coated		Uncoated				Coated		Uncoated		
						CP200	CP300	CP500	H15							
0,50	–	0,8	0,8	0,06	16ER0.5ISO			■	■		16EL0.5ISO			■		
0,75	–	0,8	0,8	0,11	16ER0.75ISO			■	■		16EL0.75ISO			■		
0,80	–	0,8	0,6	0,11	16ER0.8ISO			■			16EL0.8ISO			■		
1,00	–	0,8	0,8	0,14	16ER1.0ISO	■		■	■		16EL1.0ISO			■		
1,25	–	0,8	0,8	0,17	16ER1.25ISO	■		■	■		16EL1.25ISO			■		
1,50	–	0,8	0,8	0,22	16ER1.5ISO	■		■	■		16EL1.5ISO	■		■		
1,75	–	1,2	1,5	0,25	16ER1.75ISO	■		■	■		16EL1.75ISO			■		
2,00	–	1,2	1,5	0,29	16ER2.0ISO	■		■	■		16EL2.0ISO			■		
2,50	–	1,2	1,5	0,34	16ER2.5ISO	■		■	■		16EL2.5ISO			■		
3,00	–	1,2	1,5	0,42	16ER3.0ISO	■		■	■		16EL3.0ISO			■		
3,50	–	1,8	2,5	0,47	22ER3.5ISO	■	■	■	■		22EL3.5ISO			■		
4,00	–	1,8	2,5	0,53	22ER4.0ISO	■	■	■	■		22EL4.0ISO			■		
4,50	–	1,8	2,5	0,59	22ER4.5ISO			■	■		22EL4.5ISO			■		
5,00	–	1,8	2,5	0,66	22ER5.0ISO	■		■	■		22EL5.0ISO			■		
5,50	–	2,2	3,2	0,72	27ER5.5ISO				■							
6,00	–	2,2	3,2	0,79	27ER6.0ISO			■	■							
1,00	–	0,8	0,8	0,14	16ER1.0ISO-A				■							
1,25	–	0,8	0,8	0,17	16ER1.25ISO-A				■							
1,50	–	0,8	0,8	0,22	16ER1.5ISO-A				■							
1,75	–	1,2	1,5	0,25	16ER1.75ISO-A				■							
2,00	–	1,2	1,5	0,29	16ER2.0ISO-A				■							
2,50	–	1,2	1,5	0,34	16ER2.5ISO-A				■							
3,00	–	1,2	1,5	0,42	16ER3.0ISO-A				■							
1,00	–	0,8	0,8	0,14	16ER1.0ISO-A1				■							
1,25	–	0,8	0,8	0,17	16ER1.25ISO-A1				■							
1,50	–	0,8	0,8	0,22	16ER1.5ISO-A1				■							
1,75	–	1,2	1,5	0,25	16ER1.75ISO-A1				■							
2,00	–	1,2	1,5	0,29	16ER2.0ISO-A1				■							
2,50	–	1,2	1,5	0,34	16ER2.5ISO-A1				■							
3,00	–	1,2	1,5	0,42	16ER3.0ISO-A1				■							
1,00	–	0,8	0,8	0,14	16ER1.0ISO-A2				■							
1,25	–	0,8	0,8	0,17	16ER1.25ISO-A2				■							
1,50	–	0,8	0,8	0,22	16ER1.5ISO-A2				■							
1,75	–	1,2	1,5	0,25	16ER1.75ISO-A2				■							
2,00	–	1,2	1,5	0,29	16ER2.0ISO-A2				■							
2,50	–	1,2	1,5	0,34	16ER2.5ISO-A2				■							
3,00	–	1,2	1,5	0,42	16ER3.0ISO-A2				■							

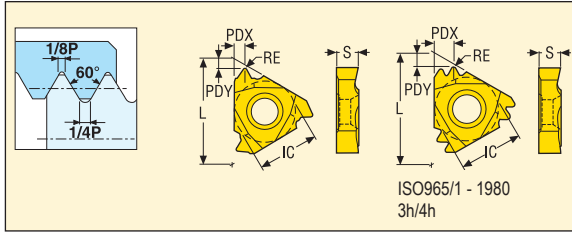
■ Stock standard

Subject to change refer to current price- and stock-list

# Thread turning – Inserts

## ISO Metric – External Threading

Snap-Tap®



Size	Dimensions in mm		
	IC	L	S
16	9,525	16,5	3,47
22	12,7	22,0	4,71
27	15,875	27,0	6,15

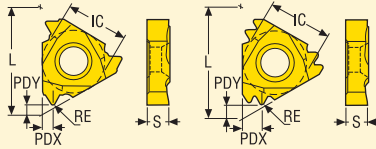
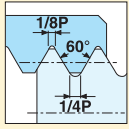


Pitch		Dimensions in mm			Insert Part No. Right	Grades					Insert Part No. Left	Grades								
						Coated		Uncoated				Coated		Uncoated						
						CP200	CP300	CP500	H15				CP200	CP300	CP500	H15				
mm	TPI	PDY	PDX	RE																
1,00	-	1,3	1,3	0,14	16ER1.0ISO-TT			■												
1,50	-	1,3	1,8	0,22	16ER1.5ISO-TT			■												
2,00	-	1,6	2,4	0,29	16ER2.0ISO-TT			■												
1,00	-	1,5	2,4	0,14	16ER1.0ISO3M			■												
1,50	-	1,5	2,2	0,22	16ER1.5ISO2M			■												
1,50	-	2,3	3,6	0,22	22ER1.5ISO3M			■												
2,00	-	2,0	2,9	0,29	22ER2.0ISO2M			■												
2,00	-	3,0	4,8	0,29	22ER2.0ISO3M			■												
3,00	-	2,8	4,3	0,42	27ER3.0ISO2M			■												

■ Stock standard  
 Subject to change refer to current price- and stock-list

## ISO Metric – Internal Threading

Snap-Tap®



ISO965/1 - 1980  
3h/4h

Size	Dimensions in mm		
	IC	L	S
09	5,56	9,6	2,4
11	6,35	11,0	3,0
16	9,525	16,5	3,47
22	12,7	22,0	4,71
27	15,875	27,0	6,15

09NR/11Nx/16Nx/22Nx/27NR



Pitch		Dimensions in mm			Insert Part No. Right	Grades					Insert Part No. Left	Grades							
mm	TPI	PDY	PDX	RE		Coated		Uncoated				Coated		Uncoated					
						CP200	CP300	CP500	H15				CP200	CP300	CP500	H15			
0.50	-	0.7	0.6	0.04	09NR0.5ISO			■											
0.80	-	0.7	0.6	0.07	09NR0.8ISO			■											
1.00	-	0.7	0.8	0.07	09NR1.0ISO			■											
1.25	-	0.7	0.8	0.11	09NR1.25ISO			■											
1.50	-	0.7	0.8	0.12	09NR1.5ISO			■											
1.75	-	0.7	0.8	0.12	09NR1.75ISO			■											
2.00	-	0.7	0.9	0.17	09NR2.0ISO			■											
0.50	-	0.8	0.8	0.03	11NR0.5ISO			■	■		11NL0.5ISO							■	
0.75	-	0.8	0.8	0.04	11NR0.75ISO			■	■		11NL0.75ISO							■	
1.00	-	0.8	0.8	0.08	11NR1.0ISO	■		■	■		11NL1.0ISO							■	
1.25	-	0.8	0.8	0.09	11NR1.25ISO			■	■		11NL1.25ISO							■	
1.50	-	0.8	0.8	0.12	11NR1.5ISO	■		■	■		11NL1.5ISO							■	
1.75	-	0.8	0.8	0.12	11NR1.75ISO			■	■										
2.00	-	0.8	0.9	0.17	11NR2.0ISO	■		■	■										
0.50	-	0.8	0.8	0.03	16NR0.5ISO			■	■		16NL0.5ISO							■	
0.75	-	0.8	0.8	0.04	16NR0.75ISO			■	■		16NL0.75ISO							■	
1.00	-	0.8	0.8	0.08	16NR1.0ISO	■		■	■		16NL1.0ISO	■						■	
1.25	-	0.8	0.8	0.09	16NR1.25ISO	■		■	■		16NL1.25ISO							■	
1.50	-	0.8	0.8	0.12	16NR1.5ISO	■		■	■		16NL1.5ISO	■						■	
1.75	-	1.2	1.5	0.12	16NR1.75ISO			■	■		16NL1.75ISO								
2.00	-	1.2	1.5	0.17	16NR2.0ISO	■		■	■		16NL2.0ISO							■	
2.50	-	1.2	1.5	0.18	16NR2.5ISO	■		■	■		16NL2.5ISO							■	
3.00	-	1.2	1.5	0.21	16NR3.0ISO	■		■	■		16NL3.0ISO							■	
3.50	-	1.9	2.3	0.25	22NR3.5ISO	■		■	■		22NL3.5ISO							■	
4.00	-	2.0	2.5	0.28	22NR4.0ISO	■	■	■	■		22NL4.0ISO							■	
4.50	-	2.1	2.5	0.32	22NR4.5ISO			■	■		22NL4.5ISO							■	
5.00	-	1.8	2.5	0.35	22NR5.0ISO	■		■	■		22NL5.0ISO							■	
5.50	-	2.2	3.2	0.38	27NR5.5ISO				■										
6.00	-	2.2	3.2	0.42	27NR6.0ISO		■	■											

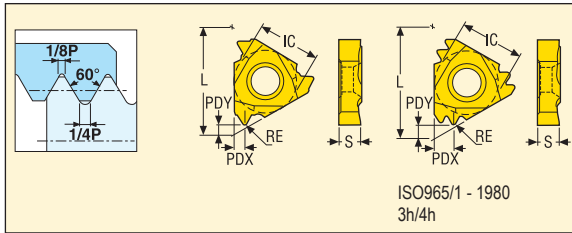
■ Stock standard

Subject to change refer to current price- and stock-list

# Thread turning – Inserts

## ISO Metric – Internal Threading

Snap-Tap®



Size	Dimensions in mm		
	IC	L	S
11	6,35	11,0	3,0
16	9,525	16,5	3,47
22	12,7	22,0	4,71
27	15,875	27,0	6,15



Pitch		Dimensions in mm			Insert Part No. Right	Grades					Insert Part No. Left	Grades				
						Coated		Uncoated				Coated		Uncoated		
mm	TPI	PDY	PDX	RE		CP200	CP300	CP500	H15			CP200	CP300	CP500	H15	
1,00	-	0,8	0,8	0,08	11NR1.0ISO-A			■								
1,50	-	0,8	0,8	0,12	11NR1.5ISO-A			■								
2,00	-	0,8	0,9	0,17	11NR2.0ISO-A			■								
1,00	-	0,8	0,8	0,09	16NR1.0ISO-A			■								
1,50	-	0,8	0,8	0,12	16NR1.5ISO-A			■								
2,00	-	1,2	1,5	0,16	16NR2.0ISO-A			■								
2,50	-	1,2	1,5	0,18	16NR2.5ISO-A			■								
3,00	-	1,2	1,5	0,21	16NR3.0ISO-A			■								
1,00	-	0,8	0,8	0,08	11NR1.0ISO-A1			■								
1,50	-	0,8	0,8	0,12	11NR1.5ISO-A1			■								
2,00	-	0,8	0,9	0,17	11NR2.0ISO-A1			■								
1,00	-	0,8	0,8	0,09	16NR1.0ISO-A1			■								
1,50	-	0,8	0,8	0,12	16NR1.5ISO-A1			■								
2,00	-	1,2	1,5	0,16	16NR2.0ISO-A1			■								
2,50	-	1,2	1,5	0,18	16NR2.5ISO-A1			■								
3,00	-	1,2	1,5	0,21	16NR3.0ISO-A1			■								
1,00	-	0,8	0,8	0,08	11NR1.0ISO-A2			■								
1,50	-	0,8	0,8	0,12	11NR1.5ISO-A2			■								
2,00	-	0,8	0,9	0,17	11NR2.0ISO-A2			■								
1,00	-	0,8	0,8	0,09	16NR1.0ISO-A2			■								
1,50	-	0,8	0,8	0,12	16NR1.5ISO-A2			■								
2,00	-	1,2	1,5	0,16	16NR2.0ISO-A2			■								
2,50	-	1,2	1,5	0,18	16NR2.5ISO-A2			■								
3,00	-	1,2	1,5	0,21	16NR3.0ISO-A2			■								
1,00	-	1,3	1,2	0,09	16NR1.0ISO-TT			■								
1,50	-	1,3	1,8	0,12	16NR1.5ISO-TT			■								
2,00	-	1,6	2,4	0,18	16NR2.0ISO-TT			■								
1,00	-	1,5	2,4	0,08	16NR1.0ISO3M			■								
1,50	-	1,4	2,1	0,12	16NR1.5ISO2M			■								
1,50	-	2,3	3,6	0,12	22NR1.5ISO3M			■								
2,00	-	2,0	2,9	0,17	22NR2.0ISO2M			■								
2,00	-	3,0	4,8	0,17	22NR2.0ISO3M			■								
3,00	-	2,8	4,3	0,21	27NR3.0ISO2M			■								

■ Stock standard

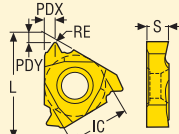
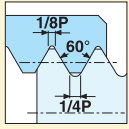
Subject to change refer to current price- and stock-list

# Thread turning – Inserts



## UN – External Threading

Snap-Tap®



ANSI B1.1 - 1983  
3A

Size	Dimensions in mm		
	IC	L	S
16	9,525	16,5	3,47
22	12,7	22,0	4,71
27	15,875	27,0	6,15

<b>16Ex/22Ex/27ER</b> 	<b>16ER..A</b> 	<b>16ER..A1</b> 	<b>16ER..A2</b> 
--	---	--	--

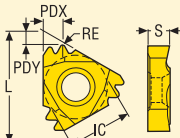
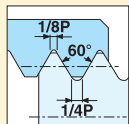
Pitch		Dimensions in mm			Insert Part No. Right	Grades					Insert Part No. Left	Grades								
mm	TPI	PDY	PDX	RE		Coated		Uncoated				Coated		Uncoated						
						CP200	CP300	CP500	H15					CP200	CP300	CP500	H15			
-	40	1,2	0,5	0,08	16ER40UN			■												
-	32	0,8	0,8	0,09	16ER32UN			■	■		16EL32UN							■		
-	28	0,8	0,8	0,11	16ER28UN			■	■		16EL28UN							■		
-	24	0,8	0,8	0,13	16ER24UN			■	■		16EL24UN							■		
-	20	0,8	0,8	0,16	16ER20UN			■	■		16EL20UN							■		
-	18	1,2	0,8	0,18	16ER18UN			■	■		16EL18UN							■		
-	16	1,2	0,8	0,22	16ER16UN	■		■	■		16EL16UN							■		
-	14	1,2	1,5	0,22	16ER14UN	■		■	■		16EL14UN							■		
-	13	1,2	1,5	0,24	16ER13UN			■												
-	12	1,2	1,5	0,26	16ER12UN	■		■	■		16EL12UN							■		
-	11	1,2	1,5	0,28	16ER11UN			■	■		16EL11UN							■		
-	10	1,2	1,5	0,34	16ER10UN			■	■		16EL10UN							■		
-	9	1,2	1,5	0,34	16ER9UN			■	■		16EL9UN							■		
-	8	1,2	1,5	0,38	16ER8UN	■		■	■		16EL8UN							■		
-																				
-	7	1,8	2,5	0,47	22ER7UN			■	■		22EL7UN							■		
-	6	2,0	2,5	0,52	22ER6UN			■	■		22EL6UN							■		
-	5	1,8	2,5	0,6	22ER5UN						22EL5UN							■		
-																				
-	4	2,2	3,2	0,79	27ER4UN			■												
-																				
-	20	0,8	0,8	0,16	16ER20UN-A			■												
-	18	0,8	0,8	0,18	16ER18UN-A			■												
-	16	0,8	0,8	0,22	16ER16UN-A			■												
-	14	1,2	1,5	0,22	16ER14UN-A			■												
-	12	1,2	1,5	0,29	16ER12UN-A			■												
-	8	1,2	1,5	0,43	16ER8UN-A			■												
-																				
-	20	0,8	0,8	0,16	16ER20UN-A1			■												
-	18	0,8	0,8	0,18	16ER18UN-A1			■												
-	16	0,8	0,8	0,22	16ER16UN-A1			■												
-	14	1,2	1,5	0,22	16ER14UN-A1			■												
-	12	1,2	1,5	0,29	16ER12UN-A1			■												
-	8	1,2	1,5	0,43	16ER8UN-A1			■												
-																				
-	20	0,8	0,8	0,16	16ER20UN-A2			■												
-	18	0,8	0,8	0,18	16ER18UN-A2			■												
-	16	0,8	0,8	0,22	16ER16UN-A2			■												
-	14	1,2	1,5	0,22	16ER14UN-A2			■												
-	12	1,2	1,5	0,29	16ER12UN-A2			■												
-	8	1,2	1,5	0,43	16ER8UN-A2			■												

■ Stock standard

Subject to change refer to current price- and stock-list

## UN – External Threading

Snap-Tap®



ANSI B1.1 - 1983  
3A

Size	Dimensions in mm		
	IC	L	S
16	9,525	16,5	3,47
22	12,7	22,0	4,71

16ER..TT



22ER..M

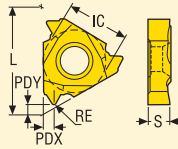
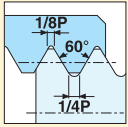


Pitch		Dimensions in mm			Insert Part No. Right	Grades					Insert Part No. Left	Grades						
						Coated		Uncoated				Coated		Uncoated				
						CP200	CP300	CP500	H15				CP200	CP300	CP500	H15		
mm	TPI	PDY	PDX	RE														
-	20	1,2	1,6	0,16	16ER20UN-TT			■										
-	16	1,4	1,9	0,21	16ER16UN-TT			■										
-	12	1,7	2,6	0,29	16ER12UN-TT			■										
-	16	2,5	4,0	0,21	22ER16UN3M			■										
-	12	2,0	3,1	0,26	22ER12UN2M			■										

■ Stock standard  
Subject to change refer to current price- and stock-list

## UN – Internal Threading

Snap-Tap®



ANSI B1.1 - 1983  
3B

Size	Dimensions in mm		
	IC	L	S
09	5,56	9,6	2,4
11	6,35	11,0	3,0
16	9,525	16,5	3,47
22	12,7	22,0	4,71
27	15,875	27,0	6,15

09NR/11Nx/16Nx/22Nx/27NR



Pitch		Dimensions in mm			Insert Part No. Right	Grades					Insert Part No. Left	Grades							
mm	TPI	PDY	PDX	RE		Coated		Uncoated				Coated		Uncoated					
						CP200	CP300	CP500	H15				CP200	CP300	CP500	H15			
-	20	0,7	0,8	0,09	09NR20UN			■											
-	18	0,7	0,8	0,1	09NR18UN			■											
-	13	0,7	0,9	0,15	09NR13UN			■											
-	32	0,8	0,8	0,04	11NR32UN				■	■									
-	28	0,8	0,8	0,05	11NR28UN				■	■									
-	24	0,8	0,8	0,07	11NR24UN				■	■		11NL24UN							
-	20	0,8	0,8	0,09	11NR20UN				■	■		11NL20UN				■			
-	18	0,8	0,8	0,1	11NR18UN				■	■		11NL18UN				■			
-	16	0,8	0,8	0,13	11NR16UN				■	■		11NL16UN				■			
-	14	0,8	0,9	0,14	11NR14UN				■	■		11NL14UN				■			
-	40	1,2	0,5	0,04	16NR40UN					■									
-	32	0,8	0,8	0,04	16NR32UN					■		16NL32UN					■		
-	28	0,8	0,8	0,05	16NR28UN		■			■		16NL28UN					■		
-	24	0,8	0,8	0,07	16NR24UN		■			■	■	16NL24UN					■		
-	20	0,8	0,8	0,09	16NR20UN		■			■	■	16NL20UN					■		
-	18	0,8	0,8	0,1	16NR18UN		■			■	■	16NL18UN					■		
-	16	0,8	0,8	0,13	16NR16UN		■			■	■	16NL16UN			■		■		
-	14	1,2	1,5	0,14	16NR14UN		■			■	■	16NL14UN			■		■		
-	13	1,2	1,5	0,15	16NR13UN					■									
-	12	1,2	1,5	0,15	16NR12UN		■			■	■	16NL12UN					■		
-	11	1,2	1,5	0,16	16NR11UN					■	■	16NL11UN					■		
-	10	1,2	1,5	0,18	16NR10UN		■			■	■	16NL10UN					■		
-	9	1,2	1,5	0,19	16NR9UN					■									
-	8	1,2	1,5	0,25	16NR8UN		■			■	■	16NL8UN					■		
-	7	2,0	2,4	0,25	22NR7UN					■		22NL7UN					■		
-	6	2,2	2,5	0,3	22NR6UN					■	■	22NL6UN					■		
-	5	1,8	2,5	0,36	22NR5UN					■	■								
-	4	2,2	3,2	0,45	27NR4UN					■									

■ Stock standard

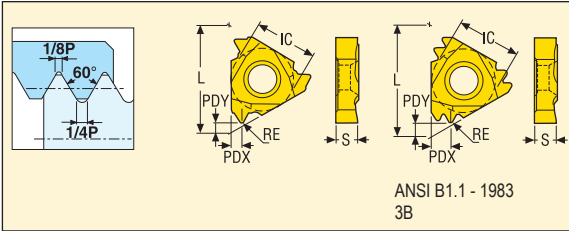
Subject to change refer to current price- and stock-list



# Thread turning – Inserts

## UN – Internal Threading

Snap-Tap®



Size	Dimensions in mm		
	IC	L	S
16	9,525	16,5	3,47
22	12,7	22,0	4,71

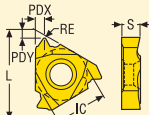
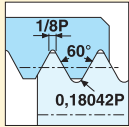


Pitch		Dimensions in mm			Insert Part No. Right	Grades					Insert Part No. Left	Grades							
mm	TPI	PDY	PDX	RE		Coated		Uncoated				Coated		Uncoated					
						CP200	CP300	CP500	H15				CP200	CP300	CP500	H15			
-	20	0,8	0,8	0,09	16NR20UN-A			■											
-	18	0,8	0,8	0,1	16NR18UN-A			■											
-	16	0,8	0,8	0,12	16NR16UN-A			■											
-	14	1,2	1,3	0,14	16NR14UN-A			■											
-	12	1,2	1,5	0,15	16NR12UN-A			■											
-	8	1,2	1,5	0,25	16NR8UN-A			■											
-	20	0,8	0,8	0,09	16NR20UN-A1			■											
-	18	0,8	0,8	0,1	16NR18UN-A1			■											
-	16	0,8	0,8	0,12	16NR16UN-A1			■											
-	14	1,2	1,3	0,14	16NR14UN-A1			■											
-	12	1,2	1,5	0,15	16NR12UN-A1			■											
-	8	1,2	1,5	0,25	16NR8UN-A1			■											
-	20	0,8	0,8	0,09	16NR20UN-A2			■											
-	18	0,8	0,8	0,1	16NR18UN-A2			■											
-	16	0,8	0,8	0,12	16NR16UN-A2			■											
-	14	1,2	1,3	0,14	16NR14UN-A2			■											
-	12	1,5	1,5	0,15	16NR12UN-A2			■											
-	8	1,2	1,5	0,25	16NR8UN-A2			■											
-	16	1,4	1,9	0,13	16NR16UN-TT			■											
-	12	1,65	2,45	0,16	16NR12UN-TT			■											
-	16	1,5	2,3	0,13	16NR16UN2M			■											
-	16	2,4	3,8	0,13	22NR16UN3M			■											
-	12	2,0	3,0	0,15	22NR12UN2M			■											
-	12	3,0	5,0	0,15	22NR12UN3M			■											

■ Stock standard  
Subject to change refer to current price- and stock-list

## UNJ – External threading (Internal Threading\*)

Snap-Tap®



BS4084 - 1996  
MIL-SPECS - 8879A  
3A

Size	Dimensions in mm		
	IC	L	S
16	9,525	16,5	3,47

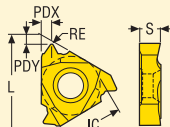
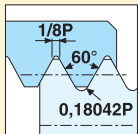
16Ex



Pitch		Dimensions in mm			Insert Part No. Right	Grades					Insert Part No. Left	Grades								
mm	TPI	PDY	PDX	RE		Coated		Uncoated				Coated		Uncoated						
						CP200	CP300	CP500	H15				CP200	CP300	CP500	H15				
–	32	0,8	0,8	0,11	16ER32UNJ	■	■	■												
–	28	0,8	0,8	0,14	16ER28UNJ	■	■	■												
–	24	0,8	0,8	0,16	16ER24UNJ	■	■	■												
–	20	0,8	0,8	0,21	16ER20UNJ	■	■	■	■											
–	18	1,2	0,8	0,24	16ER18UNJ	■	■	■												
–	16	1,2	0,8	0,27	16ER16UNJ	■	■	■	■											
–	14	1,2	1,5	0,3	16ER14UNJ	■	■	■												
–	12	1,2	1,5	0,32	16ER12UNJ			■	■			16EL12UNJ	■		■					
–	10	1,2	1,5	0,34	16ER10UNJ	■														
–	8	1,2	1,5	0,45	16ER8UNJ	■	■													

\*Internal use, please see page 33

## MJ – External Threading (Internal Threading\*)



ISO5855 - 1983  
4h/6h

Size	Dimensions in mm		
	IC	L	S
16	9,525	16,5	3,47

16Ex



Pitch		Dimensions in mm			Insert Part No. Right	Grades					Insert Part No. Left	Grades							
mm	TPI	PDY	PDX	RE		Coated		Uncoated				Coated		Uncoated					
						CP200	CP300	CP500	H15				CP200	CP300	CP500	H15			
1,0	–	0,8	0,8	0,16	16ER1.0MJ	■		■	■			16EL1.0MJ	■						
1,25	–	0,8	0,8	0,21	16ER1.25MJ	■													
1,5	–	0,8	0,8	0,25	16ER1.5MJ	■		■	■			16EL1.5MJ	■						
2,0	–	1,2	1,5	0,32	16ER2.0MJ	■													

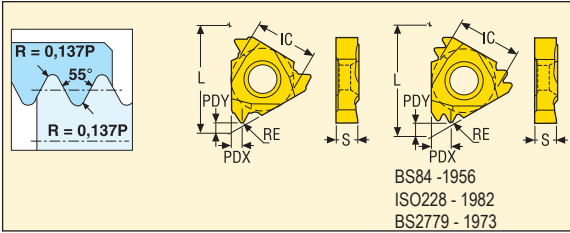
■ Stock standard  
Subject to change refer to current price- and stock-list

\*Internal use, please see page 33

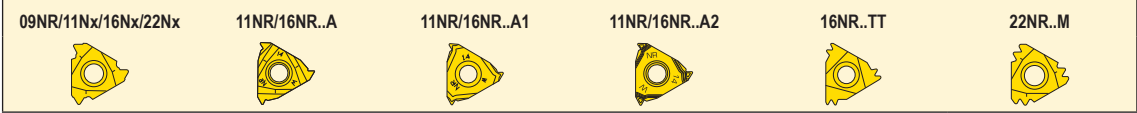


## Whitworth, BSW – Internal Threading

Snap-Tap®



Size	Dimensions in mm		
	IC	L	S
09	5,56	9,6	2,4
11	6,35	11,0	3,0
16	9,525	16,5	3,47
22	12,7	22,0	4,71



Pitch		Dimensions in mm			Insert Part No. Right	Grades					Insert Part No. Left	Grades							
mm	TPI	PDY	PDX	RE		Coated		Uncoated				Coated		Uncoated					
						CP200	CP300	CP500	H15				CP200	CP300	CP500	H15			
-	19	0,7	0,8	0,15	09NR19W			■											
-	14	0,7	0,9	0,24	09NR14W			■											
-	19	0,8	0,8	0,15	11NR19W	■		■	■			11NL19W					■		
-	14	0,7	0,9	0,24	11NR14W	■		■	■			11NL14W					■		
-	28	0,8	0,8	0,09	16NR28W			■				16NL28W					■		
-	20	0,8	0,8	0,14	16NR20W			■	■			16NL20W					■		
-	19	0,8	0,8	0,15	16NR19W	■		■	■			16NL19W					■		
-	16	0,8	0,8	0,2	16NR16W			■	■			16NL16W					■		
-	14	1,2	1,5	0,24	16NR14W	■		■	■			16NL14W					■		
-	12	1,2	1,5	0,24	16NR12W			■	■			16NL12W					■		
-	11	1,2	1,5	0,3	16NR11W	■		■	■			16NL11W					■		
-	10	1,2	1,5	0,27	16NR10W	■		■	■			16NL10W					■		
-	9	1,2	1,5	0,31	16NR9W			■	■			16NL9W					■		
-	8	1,2	1,5	0,42	16NR8W			■	■			16NL8W					■		
-	7	1,8	2,5	0,43	22NR7W			■				22NL7W					■		
-	6	1,8	2,5	0,5	22NR6W			■	■			22NL6W					■		
-	5	1,7	2,5	0,63	22NR5W			■	■			22NL5W					■		
-	19	0,8	0,8	0,15	11NR19W-A			■											
-	14	0,7	0,9	0,24	11NR14W-A			■											
-	14	1,2	1,1	0,23	16NR14W-A			■											
-	11	1,2	1,5	0,3	16NR11W-A			■											
-	19	0,8	0,8	0,15	11NR19W-A1			■											
-	14	0,7	0,9	0,24	11NR14W-A1			■											
-	14	1,2	1,1	0,23	16NR14W-A1			■											
-	11	1,2	1,5	0,3	16NR11W-A1			■											
-	19	0,8	0,8	0,15	11NR19W-A2			■											
-	14	0,7	0,9	0,24	11NR14W-A2			■											
-	14	1,2	1,1	0,23	16NR14W-A2			■											
-	11	1,2	1,5	0,3	16NR11W-A2			■											
-	14	1,5	2,2	0,23	16NR14W-TT			■											
-	11	1,8	2,8	0,31	16NR11W-TT			■											
-	11	2,3	3,5	0,3	22NR11W2M			■											

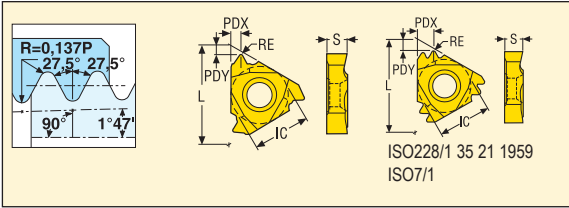
■ Stock standard

Subject to change refer to current price- and stock-list

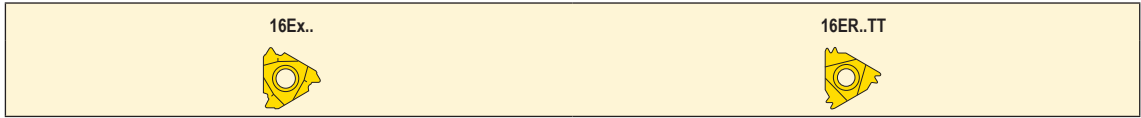
# Thread turning – Inserts

## BSPT – External Threading

Snap-Tap®

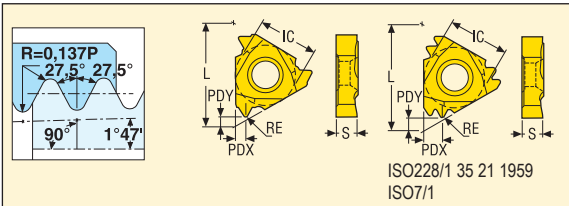


Size	Dimensions in mm		
	IC	L	S
16	9,525	16,5	3,47



Pitch		Dimensions in mm			Insert Part No. Right	Grades					Insert Part No. Left	Grades					
mm	TPI	PDY	PDX	RE		Coated			Uncoated			Coated			Uncoated		
						CP200	CP300	CP500	H15			CP200	CP300	CP500	H15		
-	28	0,7	0,8	0,08	16ER28BSPT			■									
-	19	0,8	0,8	0,15	16ER19BSPT			■									
-	14	1,2	1,5	0,24	16ER14BSPT			■	■		16EL14BSPT			■			
-	11	1,2	1,5	0,3	16ER11BSPT			■	■		16EL11BSPT			■			
-	14	1,5	2,2	0,24	16ER14BSPT-TT			■									
-	11	1,8	2,8	0,3	16ER11BSPT-TT			■									

## BSPT – Internal Threading



Size	Dimensions in mm		
	IC	L	S
09	5,56	9,6	2,4
16	9,525	16,5	3,47



Pitch		Dimensions in mm			Insert Part No. Right	Grades					Insert Part No. Left	Grades					
mm	TPI	PDY	PDX	RE		Coated			Uncoated			Coated			Uncoated		
						CP200	CP300	CP500	H15			CP200	CP300	CP500	H15		
-	19	0,8	0,8	0,15	09NR19BSPT			■									
-	14	1,2	1,5	0,24	16NR14BSPT			■	■		16NL14BSPT			■			
-	11	1,2	1,5	0,3	16NR11BSPT			■	■		16NL11BSPT			■			
-	14	1,5	2,2	0,24	16NR14BSPT-TT			■									
-	11	1,8	2,8	0,3	16NR11BSPT-TT			■									

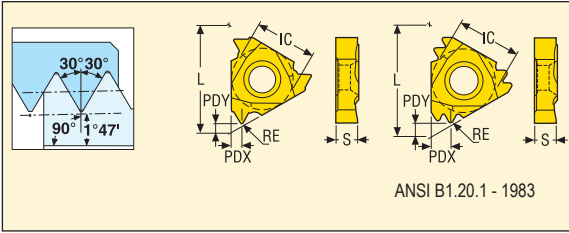
■ Stock standard  
Subject to change refer to current price- and stock-list



# Thread turning – Inserts

## NPT – Internal Threading

Snap-Tap®



Size	Dimensions in mm		
	IC	L	S
09	5,56	9,6	2,4
11	6,35	11,0	3,0
16	9,525	16,5	3,47
22	12,7	22,0	4,71

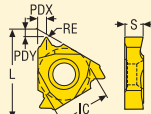
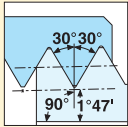


Pitch		Dimensions in mm			Insert Part No. Right	Grades					Insert Part No. Left	Grades						
mm	TPI	PDY	PDX	RE		Coated		Uncoated				Coated		Uncoated				
						CP200	CP300	CP500	H15				CP200	CP300	CP500	H15		
-	27	0,7	0,8	0,04	09NR27NPT			■										
-	18	0,7	0,8	0,06	09NR18NPT			■										
-	18	0,7	0,8	0,06	11NR18NPT			■										
-	14	0,7	1,0	0,07	11NR14NPT			■										
-	14	1,1	1,5	0,08	16NR14NPT			■	■		16NL14NPT				■			
-	11,5	1,1	1,5	0,09	16NR11.5NPT			■	■		16NL11.5NPT				■			
-	8	1,1	1,6	0,1	16NR8NPT			■	■		16NL8NPT				■			
-	11,5	1,1	1,5	0,1	16NR11.5NPT-A1			■										
-	14	1,1	1,5	0,08	16NR14NPT-A2			■										
-	11,5	1,1	1,5	0,1	16NR11.5NPT-A2			■										
-	8	1,1	1,6	0,12	16NR8NPT-A2			■										
-	11,5	2,1	3,3	0,05	22NR11.5NPT2M			■										

■ Stock standard  
Subject to change refer to current price- and stock-list

## NPTF- External Threading

Snap-Tap®



ANSI B1.4 - 1976  
ANSI B1.20.3 - 1976

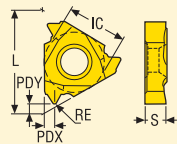
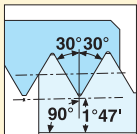
Size	Dimensions in mm		
	IC	L	S
16	9,525	16,5	3,47

16ER..



Pitch		Dimensions in mm			Insert Part No. Right	Grades					Insert Part No. Left	Grades							
mm	TPI	PDY	PDX	RE		Coated		Uncoated				Coated		Uncoated					
						CP200	CP300	CP500	H15				CP200	CP300	CP500	H15			
-	27	0,7	0,8	0,04	16ER27NPTF			■											
-	18	0,7	0,8	0,04	16ER18NPTF			■											
-	14	1,1	1,5	0,05	16ER14NPTF			■											
-	11,5	1,1	1,5	0,06	16ER11.5NPTF			■											

## NPTF - Internal Threading



ANSI B1.4 - 1976  
ANSI B1.20.3 - 1976

Size	Dimensions in mm		
	IC	L	S
11	6,35	11,0	3,0
16	9,525	16,5	3,47

11NR/16Nx



Pitch		Dimensions in mm			Insert Part No. Right	Grades					Insert Part No. Left	Grades							
mm	TPI	PDY	PDX	RE		Coated		Uncoated				Coated		Uncoated					
						CP200	CP300	CP500	H15				CP200	CP300	CP500	H15			
-	18	0,7	0,8	0,04	11NR18NPTF			■											
-	14	1,1	1,5	0,05	16NR14NPTF			■											
-	11,5	1,1	1,5	0,06	16NR11.5NPTF			■			16NL11.5NPTF			■					

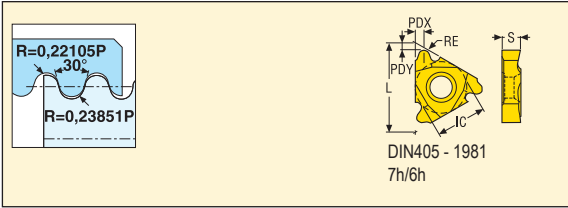
■ Stock standard  
Subject to change refer to current price- and stock-list



# Thread turning – Inserts

## Round-DIN405 – External Threading

Snap-Tap®



Size	Dimensions in mm		
	IC	L	S
16	9,525	16,5	3,47
22	12,7	22,0	4,71
27	15,875	27,0	6,15

16ER/22Ex/27ER



Pitch		Dimensions in mm			Insert Part No. Right	Grades					Insert Part No. Left	Grades				
mm	TPI	PDY	PDX	RE		Coated			Uncoated			Coated			Uncoated	
						CP200	CP300	CP500	H15			CP200	CP300	CP500	H15	
-	10	1,3	1,5	0,58	16ER10RD			■								
-	8	1,3	1,5	0,73	16ER8RD			■								
-	6	1,3	1,8	0,97	16ER6RD			■								
-	6	2,0	2,5	0,97	22ER6RD			■		22EL6RD			■			
-	4	2,2	3,2	1,46	27ER4RD			■								

## Round-DIN405 – Internal Threading



Size	Dimensions in mm		
	IC	L	S
16	9,525	16,5	3,47
22	12,7	22,0	4,71
27	15,875	27,0	6,15

16NR/22Nx/27NR

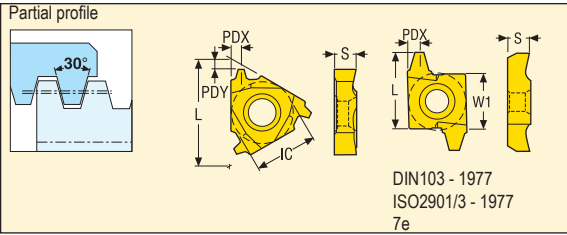


Pitch		Dimensions in mm			Insert Part No. Right	Grades					Insert Part No. Left	Grades				
mm	TPI	PDY	PDX	RE		Coated			Uncoated			Coated			Uncoated	
						CP200	CP300	CP500	H15			CP200	CP300	CP500	H15	
-	10	1,3	1,5	0,51	16NR10RD			■								
-	8	1,3	1,5	0,69	16NR8RD			■								
-	6	1,3	1,8	0,87	16NR6RD			■								
-	6	2,0	2,5	0,87	22NR6RD			■		22NL6RD			■			
-	4	2,2	3,2	1,31	27NR4RD			■								

■ Stock standard  
Subject to change refer to current price- and stock-list

## TR-DIN103 – External Threading

Snap-Tap®



Size	Dimensions in mm			
	IC	W1	L	S
16	9,525	–	16,5	3,47
22	12,7	–	22,0	4,71
27	15,875	–	27,0	6,15
20	–	12,7	20,0	6,3
26	–	15,875	26,0	7,88

16Ex/22Ex27ER



20ER/26ER



Pitch		Dimensions in mm			Insert Part No. Right	Grades					Insert Part No. Left	Grades						
mm	TPI	PDY	PDX	RE		Coated		Uncoated				Coated		Uncoated				
						CP200	CP300	CP500	H15				CP200	CP300	CP500	H15		
1,5	–	0,9	0,8	–	16ER1.5TR			■	■									
2,0	–	1,3	1,5	–	16ER2.0TR			■	■									
3,0	–	1,3	1,6	–	16ER3.0TR			■										
4,0	–	2,0	2,5	–	22ER4.0TR				■									
5,0	–	2,0	2,3	–	22ER5.0TR		■	■										
6,0	–	2,5	3,2	–	27ER6.0TR				■									
7,0	–	–	3,2	–	20ER7.0TR			■	■									
8,0	–	–	3,2	–	20ER8.0TR			■	■									
9,0	–	–	5,0	–	26ER9.0TR				■									
10,0	–	–	5,0	–	26ER10.0TR			■	■									
12,0	–	–	5,0	–	26ER12.0TR			■	■									
14,0	–	–	5,1	–	26ER14.0TR				■									

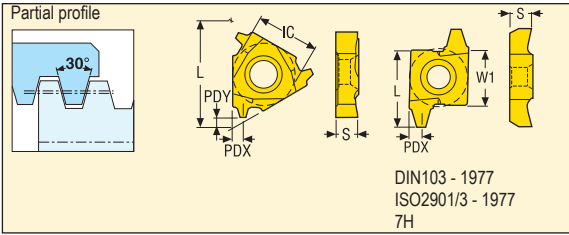
■ Stock standard

Subject to change refer to current price- and stock-list

# Thread turning – Inserts

## TR-DIN103 – Internal Threading

Snap-Tap®



Size	Dimensions in mm			
	IC	W1	L	S
16	9,525	–	16,5	3,47
22	12,7	–	22,0	4,71
27	15,875	–	27,0	6,15
20	–	12,7	20,0	6,3
26	–	15,875	26,0	7,88

16Nx/22Nx/27NR



20NR/26NR



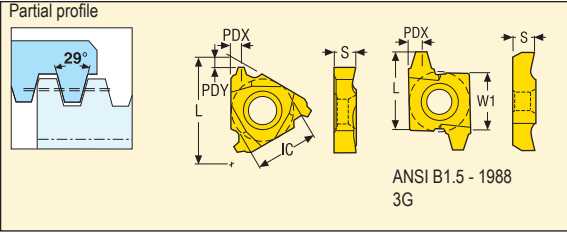
Pitch		Dimensions in mm			Insert Part No. Right	Grades					Insert Part No. Left	Grades				
						Coated		Uncoated				Coated		Uncoated		
mm	TPI	PDY	PDX	RE		CP200	CP300	CP500	H15			CP200	CP300	CP500	H15	
1,5	–	0,9	0,8	–		16NR1.5TR			■	■			16NL1.5TR			■
2,0	–	1,3	1,5	–	16NR2.0TR			■	■		16NL2.0TR			■		
3,0	–	1,3	1,6	–	16NR3.0TR			■			16NL3.0TR			■		
4,0	–	2,0	2,5	–	22NR4.0TR			■			22NL4.0TR			■		
5,0	–	2,0	2,3	–	22NR5.0TR			■			22NL5.0TR			■		
6,0	–	2,5	3,2	–	27NR6.0TR			■								
7,0	–	–	3,2	–	20NR7.0TR		■	■								
8,0	–	–	3,2	–	20NR8.0TR		■	■								
9,0	–	–	5,0	–	26NR9.0TR			■								
10,0	–	–	5,0	–	26NR10.0TR		■	■								
12,0	–	–	5,0	–	26NR12.0TR		■	■								
14,0	–	–	5,1	–	26NR14.0TR			■								

■ Stock standard

Subject to change refer to current price- and stock-list

## ACME – External Threading

Snap-Tap®



Size	Dimensions in mm			
	IC	W1	L	S
16	9,525	–	16,5	3,47
22	12,7	–	22,0	4,71
27	15,875	–	27,0	6,15
20	–	12,7	20,0	6,3
26	–	15,875	26,0	7,88

16Ex/22Ex/27Ex



20ER/26ER



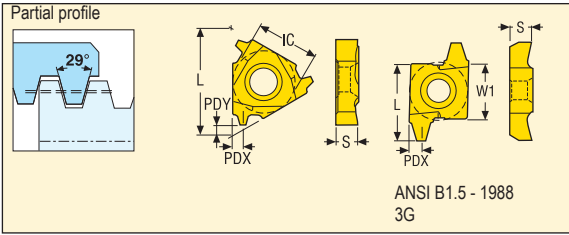
Pitch		Dimensions in mm			Insert Part No. Right	Grades					Insert Part No. Left	Grades							
						Coated			Uncoated			Coated			Uncoated				
						CP200	CP300	CP500	H15			CP200	CP300	CP500	H15				
mm	TPI	PDY	PDX	RE															
–	16	0,9	0,8	–	16ER16ACME			■											
–	14	1,3	1,5	–	16ER14ACME			■											
–	12	1,3	1,5	–	16ER12ACME			■											
–	10	1,4	1,5	–	16ER10ACME			■			16EL10ACME			■					
–	8	1,3	1,5	–	16ER8ACME			■			16EL8ACME			■					
–	6	2,0	2,5	–	22ER6ACME			■			22EL6ACME			■					
–	5	2,0	2,3	–	22ER5ACME			■			22EL5ACME			■					
–	4	2,5	3,0	–	27ER4ACME			■			27EL4ACME			■					
–	3	–	3,2	–	20ER3ACME		■	■											
–	2	–	5,0	–	26ER2ACME		■	■											

■ Stock standard  
Subject to change refer to current price- and stock-list

# Thread turning – Inserts

## ACME – Internal Threading

Snap-Tap®



Size	Dimensions in mm			
	IC	W1	L	S
16	9,525	–	16,5	3,47
22	12,7	–	22,0	4,71
27	15,875	–	27,0	6,15
20	–	12,7	20,0	6,3
26	–	15,875	26,0	7,88

16NR/22Nx/27NR



20NR/26NR



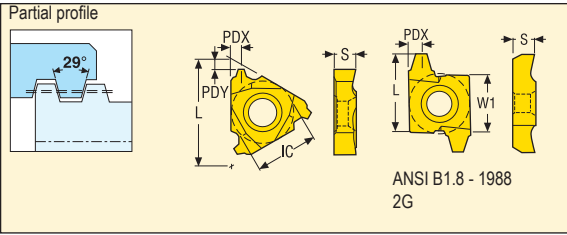
Pitch		Dimensions in mm			Insert Part No. Right	Grades					Insert Part No. Left	Grades				
						Coated		Uncoated				Coated		Uncoated		
mm	TPI	PDY	PDX	RE		CP200	CP300	CP500	H15			CP200	CP300	CP500	H15	
–	16	0,9	0,8	–	16NR16ACME			■								
–	12	1,3	1,5	–	16NR12ACME			■								
–	10	1,3	1,5	–	16NR10ACME			■								
–	8	1,3	1,5	–	16NR8ACME			■								
–	6	2,0	2,5	–	22NR6ACME	■		■								
–	5	2,0	2,3	–	22NR5ACME			■		22NL5ACME			■			
–	4	2,5	3,0	–	27NR4ACME	■		■								
–	3,5	–	3,2	–	20NR3.5ACME	■		■								
–	3	–	3,2	–	20NR3ACME	■		■								
–	2	–	5,0	–	26NR2ACME	■										

■ Stock standard

Subject to change refer to current price- and stock-list

## Stub-ACME – External Threading

Snap-Tap®



Size	Dimensions in mm			
	IC	W1	L	S
16	9,525	–	16,5	3,47
22	12,7	–	22,0	4,71
27	15,875	–	27,0	6,15
20	–	12,7	20,0	6,3
26	–	15,875	26,0	7,88

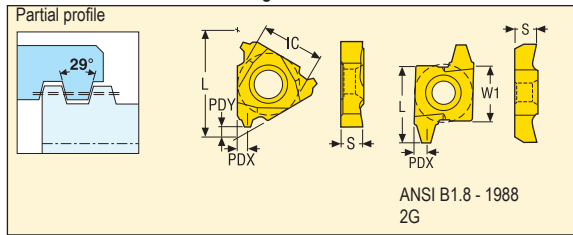


Pitch		Dimensions in mm			Insert Part No. Right	Grades					Insert Part No. Left	Grades							
mm	TPI	PDY	PDX	RE		Coated		Uncoated				Coated		Uncoated					
						CP200	CP300	CP500	H15				CP200	CP300	CP500	H15			
–	14	1,3	1,5	–	16ER14STACME			■											
–	12	1,5	1,5	–	16ER12STACME			■											
–	10	1,5	1,5	–	16ER10STACME			■											
–	8	1,8	1,5	–	16ER8STACME		■	■											
–	6	2,4	2,5	–	22ER6STACME			■			22EL6STACME			■					
–	5	2,0	2,1	–	22ER5STACME			■											
–	4	2,6	2,8	–	27ER4STACME		■	■											
–	3	–	3,2	–	20ER3STACME			■											
–	2	–	5,0	–	26ER2STACME			■											

■ Stock standard  
Subject to change refer to current price- and stock-list

## Stub-ACME – Internal Threading

Snap-Tap®



Size	Dimensions in mm			
	IC	W1	L	S
16	9,525	–	16,5	3,47
22	12,7	–	22,0	4,71
27	15,875	–	27,0	6,15
20	–	12,7	20,0	6,3

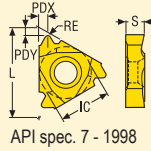
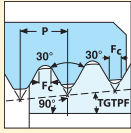


Pitch		Dimensions in mm			Insert Part No. Right	Grades					Insert Part No. Left	Grades						
mm	TPI	PDY	PDX	RE		Coated		Uncoated				Coated		Uncoated				
						CP200	CP300	CP500	H15				CP200	CP300	CP500	H15		
–	14	1,3	1,5	–	16NR14STACME			■										
–	12	1,5	1,5	–	16NR12STACME			■										
–	10	1,5	1,5	–	16NR10STACME			■										
–	8	1,8	1,5	–	16NR8STACME		■	■										
–	6	2,4	2,5	–	22NR6STACME			■										
–	5	2,0	2,1	–	22NR5STACME			■										
–	4	2,6	2,8	–	27NR4STACME		■	■										
–	3	–	3,2	–	20NR3STACME			■										

■ Stock standard  
Subject to change refer to current price- and stock-list

## API Rotary Drilling connection - External threading

Snap-Tap®



API spec. 7 - 1998

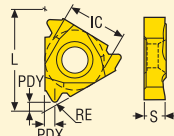
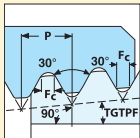
Size	Dimensions in mm		
	IC	L	S
22	12,7	22,0	4,71
27	15,875	27,0	6,15

22ER/27ER



Pitch	Dimensions in mm		APICODE	TGTPF	RE	CTF	Designation	Grades					
	TPI	PDY						PDX	Coated			Uncoated	
								CP200	CP300	CP500	H15		
5,0	2,0	2,5	V040	3	0,508	1,016	22ER5API404		■	■			
4,0	1,95	2,55	V038R	2	0,965	1,651	22ER4API386		■	■			
5,0	2,2	3,2	V040	3	0,508	1,016	27ER5API404			■			
4,0	2,2	3,2	V038R	3	0,965	1,651	27ER4API384	■	■	■			
4,0	2,2	3,2	V038R	2	0,965	1,651	27ER4API386	■	■	■			
4,0	2,2	3,2	V050	3	0,635	1,27	27ER4API504	■	■	■			
4,0	2,2	3,2	V050	2	0,635	1,27	27ER4API506	■	■	■			

## API Rotary Drilling connection - Internal threading



API spec. 7 - 1998

Size	Dimensions in mm		
	IC	L	S
22	12,7	22,0	4,71
27	15,875	27,0	6,15

22NR/27NR



Pitch	Dimensions in mm		APICODE	TGTPF	RE	CTF	Designation	Grades					
	TPI	PDY						PDX	Coated			Uncoated	
								CP200	CP300	CP500	H15		
5,0	2,0	2,5	V040	3	0,508	1,016	22NR5API404			■	■		
4,0	1,9	2,5	V038R	2	0,965	1,651	22NR4API386			■	■	■	
5,0	2,2	3,2	V040	3	0,508	1,016	27NR5API404			■			
4,0	2,2	3,2	V038R	3	0,965	1,651	27NR4API384	■		■			
4,0	2,2	3,2	V038R	2	0,965	1,651	27NR4API386	■	■	■			
4,0	2,2	3,2	V050	3	0,635	1,27	27NR4API504	■	■	■			
4,0	2,2	3,2	V050	2	0,635	1,27	27NR4API506	■	■	■			

■ Stock standard

Subject to change refer to current price- and stock-list



# Thread turning – Inserts

## Rotary drill connection - External threading

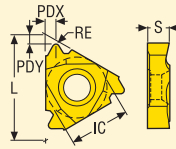
Snap-Tap®

HEF = Hughes External Flush

904/906 = Hughes H90

H90 = Hughes Slimline H90

PAC = P.A.C.



Size	Dimensions in mm		
	IC	L	S
22	12,7	22,0	4,71
27	15,875	27,0	6,15



Pitch		Dimensions in mm		APICODE	TGTPF	Designation	Grades						
TPI	TPI	PDY	PDX				Coated			Uncoated			
							CP200	CP300	CP500	H15			
6,0	6,0	2,0	2,5	-	2	22ER6HEF			■				
3,5	3,5	2,7	3,5	90V050	3	27ER3.5H904		■	■				
3,5	3,5	2,7	3,5	90V050	2	27ER3.5H906		■	■				
3,0	3,0	3,5	3,6	90V050	1,25	27ER3H90		■	■				
4,0	4,0	2,4	2,63	V076	1,5	22ER4PAC			■				
4,0	4,0	2,75	3,2	V076	1,5	27ER4PAC		■	■				

■ Stock standard  
Subject to change refer to current price- and stock-list

## Rotary drill connection - Internal threading

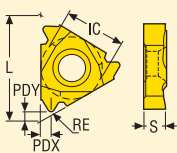
Snap-Tap®

HEF = Hughes External Flush

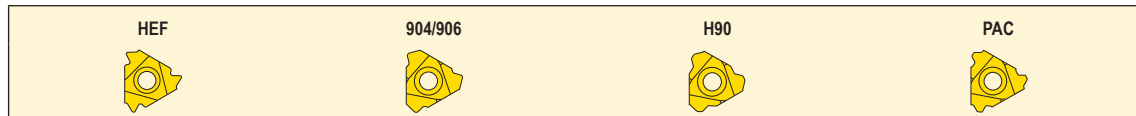
904/906 = Hughes H90

H90 = Hughes Slimline H90

PAC = P.A.C.



Size	Dimensions in mm		
	IC	L	S
22	12,7	22,0	4,71
27	15,875	27,0	6,15



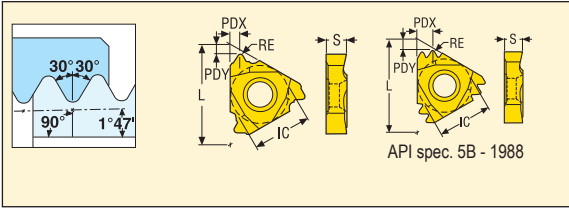
Pitch	Dimensions in mm		APICODE	TGTPF	Designation	Grades				
						Coated			Uncoated	
	TPI	PDY				PDX	CP200	CP300	CP500	H15
6,0	2,0	2,5	-	2	22NR6HEF			■		
3,5	2,7	3,5	90V050	3	27NR3.5H904		■	■		
3,5	2,7	3,5	90V050	2	27NR3.5H906		■	■		
3,0	3,5	3,6	90V050	1,25	27NR3H90		■	■		
4,0	2,4	2,6	V076	1,5	22NR4PAC			■		
4,0	2,75	3,2	V076	1,5	27NR4PAC		■	■		

■ Stock standard  
 Subject to change refer to current price- and stock-list

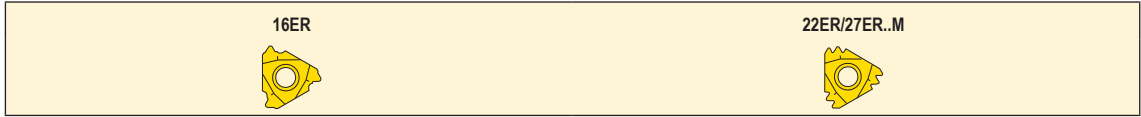
# Thread turning – Inserts

## API Spec. 5B ROUND - External Threading

Snap-Tap®

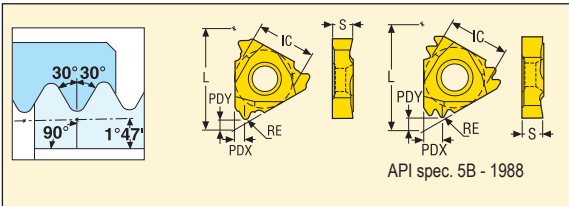


Size	Dimensions in mm		
	IC	L	S
16	9,525	16,5	3,47
22	12,7	22,0	4,71
27	15,875	27,0	6,15

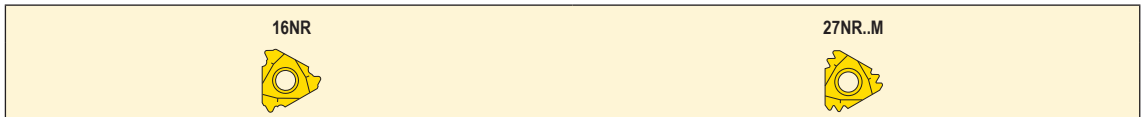


Pitch		Dimensions in mm			Insert Part No. Right	Grades					Insert Part No. Left	Grades				
						Coated			Uncoated			Coated			Uncoated	
mm	TPIN	PDY	PDX	RE		CP200	CP300	CP500	H15			CP200	CP300	CP500	H15	
-	10,0	1,5	1,5	0,38	16ER10APIRD			■								
-	8,0	1,5	1,5	0,46	16ER8APIRD		■	■								
-	10,0	2,4	3,7	0,38	22ER10APIRD2M			■								
-	8,0	2,9	4,5	0,46	27ER8APIRD2M		■									

## API Spec. 5B ROUND - Internal Threading



Size	Dimensions in mm		
	IC	L	S
16	9,525	16,5	3,47
27	15,875	27,0	6,15



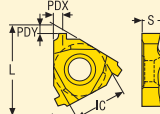
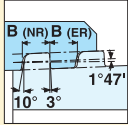
Pitch		Dimensions in mm			Insert Part No. Right	Grades					Insert Part No. Left	Grades				
						Coated			Uncoated			Coated			Uncoated	
mm	TPIN	PDY	PDX	RE		CP200	CP300	CP500	H15			CP200	CP300	CP500	H15	
-	10,0	1,5	1,5	0,38	16NR10APIRD			■								
-	8,0	1,5	1,5	0,46	16NR8APIRD			■								
-	8,0	2,9	4,5	0,46	27NR8APIRD2M		■									

■ Stock standard  
Subject to change refer to current price- and stock-list

## API 5B BUTTRESS, VAM BUTTRESS 1:16 Taper - External Threading

Snap-Tap®

Crest and root are parallel to taper



Vallourec ST-D453.02  
API spec. 5B - 1988

Size	Dimensions in mm		
	IC	L	S
22	12,7	22,0	4,71

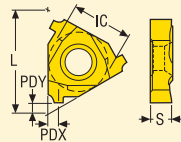
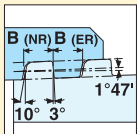
22ER



Pitch		Dimensions in mm				Insert Part No. Right	Grades						
mm	TPIN	PDY	PDX	RE	TGTPF		Coated			Uncoated			
							CP200	CP300	CP500	H15			
–	5,0	2,2	2,5	–	3/4"	22ER5BUT2.5			■				
–	6,0	2,2	2,5	–	3/4"	22ER6VAM			■				

## API 5B BUTTRESS, VAM BUTTRESS 1:16 Taper - Internal Threading

Crest and root are parallel to taper



Vallourec ST-D453.02  
API spec. 5B - 1988

Size	Dimensions in mm		
	IC	L	S
22	12,7	22,0	4,71

22NR



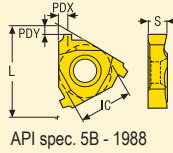
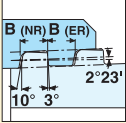
Pitch		Dimensions in mm				Insert Part No. Right	Grades						
mm	TPIN	PDY	PDX	RE	TGTPF		Coated			Uncoated			
							CP200	CP300	CP500	H15			
–	5,0	2,0	2,1	–	3/4"	22NR5BUT2.5		■	■				
–	6,0	2,0	2,0	–	3/4"	22NR6VAM		■	■				
–	5,0	2,0	2,0	–	3/4"	22NR5VAM			■				

■ Stock standard  
Subject to change refer to current price- and stock-list

## API BUTTRESS 1:12 Taper - External Threading

Snap-Tap®

Crest and root are parallel to axis



API spec. 5B - 1988

Size	Dimensions in mm		
	IC	L	S
22	12,7	22,0	4,71

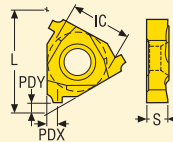
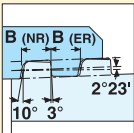
22ER



Pitch		Dimensions in mm				Insert Part No. Right	Grades						
mm	TPIN	PDY	PDX	RE	TGTPF		Coated			Uncoated			
							CP200	CP300	CP500	H15			
-	5,0	2,2	2,5	-	1	22ER5BUT2.6			■				

## API BUTTRESS 1:12 Taper - Internal Threading

Crest and root are parallel to axis



API spec. 5B - 1988

Size	Dimensions in mm		
	IC	L	S
22	12,7	22,0	4,71

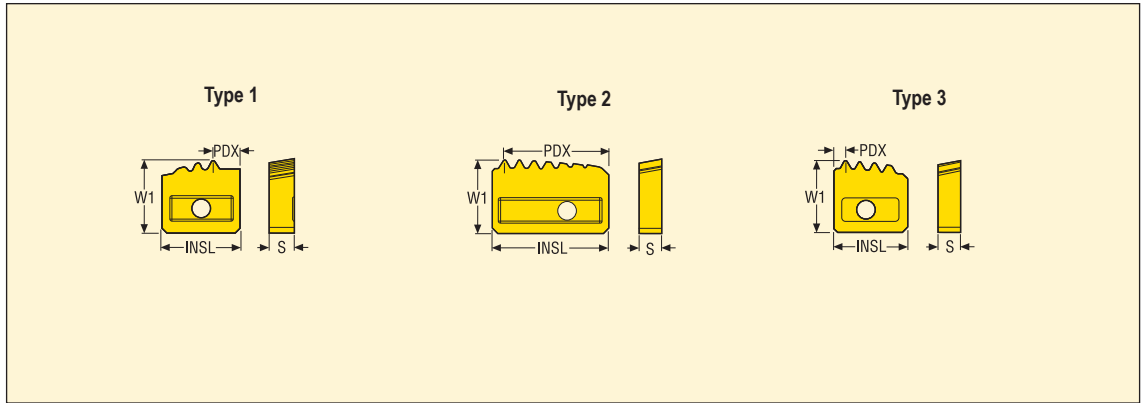
22NR



Pitch		Dimensions in mm				Insert Part No. Right	Grades					
mm	TPIN	PDY	PDX	RE	TGTPF		Coated			Uncoated		
							CP200	CP300	CP500	H15		
-	5,0	2,0	2,1	-	1	22NR5BUT2.6			■			

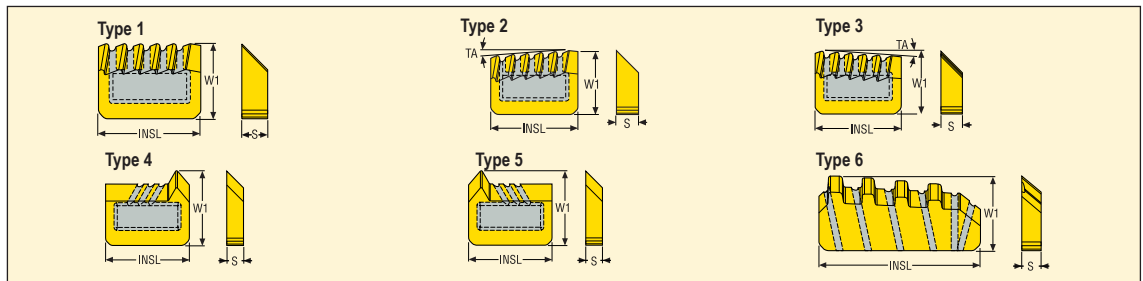
■ Stock standard  
Subject to change refer to current price- and stock-list

## Chasers



Pitch	Int./Ext.	Type	Dimensions in mm				NT	Designation	Thread Form Product	CHF1	Grades		
			INSL	W1	S	PDX					Coated		
											CP250T	CP500T	TP150T
8	External	1	15.875	15.875	4.76	5.6	3	8-1116	API RD CAS 8TPI EXT,	C-1005-4	■		
8	Internal	3	15.875	15.875	4.76	2.5	4	8-1128	API RD 8TPI INT,	C-1002-96	■		
8	Internal	3	25.0	15.875	5.0	2.5	7	8-5111	API RD 8TPI INT	C-5002-96	■		
8	Internal	2	25.0	15.875	5.0	22.5	7	8-5114	API RD 8TPI INTPULLING	C-5002-96	■		■
8	External	1	20.0	15.875	4.76	10.19	3	8-4133-1	API RD 8TPI EXT CASING 1	C-4003-4	■		
8	External	1	20.0	15.875	4.76	8.6	3	8-4133-2	API RD 8TPI EXT CASING 2	C-4003-4	■		
8	External	1	16.0	14.62	5.2	7.697	3	8-2115-1	API RD 8TPI CAS 3/4 TPF 1PMC	-	■		
8	External	1	16.0	14.87	5.2	6.638	3	8-2115-2	API RD 8TPI CAS 3/4 TPF 2PMC	-	■		
8	External	1	16.0	15.0	5.2	5.58	3	8-2115-3	API RD 8TPI CAS 3/4 TPF 3PMC	-	■		
8	External	1	15.875	15.875	4.76	5.6	3	8-1117	API RD TUBING 8TPI EXT,	C-1005-4	■		
8	External	1	16.0	14.62	5.2	7.697	3	8-2118-1	API RD 8TPI TUB 3/4 TPF 1PMC	-	■		
8	External	1	16.0	14.87	5.2	6.638	3	8-2118-2	API RD 8TPI TUB 3/4 TPF 2PMC	-	■		
8	External	1	16.0	15.0	5.2	5.58	3	8-2118-3	API RD 8TPI TUB 3/4 TPF 3PMC	-	■		
10	Internal	3	15.875	15.875	4.76	5.0	4	10-1120	API RD 10TPI TUB INT	C-1001-96	■		
10	External	1	15.875	15.15	4.76	5.67	3	10-1133-1	API RD 10TPI TUB EXT 1	C-1001-4	■		
10	External	1	15.875	15.875	4.76	4.4	3	10-1133-2	API RD 10TPI TUB EXT 2	C-1001-4	■		
5	External	1	15.875	15.875	4.76	2.1	3	5-1102	API BUTTRESS 5TPI 1/16 EXT	C-1004-4	■		
5	External	1	25.0	15.875	5.0	2.0	5	5-5102	API BUTRESS 5 TPI 1/16 EXT,	C-5003-4	■	■	■
5	Internal	3	15.875	15.875	4.76	2.5	3	5-1113	API BUTTRESS 5TPI 1/16 INT,	C-1018-96	■		
5	Internal	3	25.0	15.875	5.0	1.964	5	5-5112-C	API BUTTRESS 5TPI 1/16 INT	C-5003-96	■	■	
5	Internal	3	25.0	15.875	5.0	2.5	5	5-5108	API BUTTRESS 5TPI 1/16 INT	C-5003-96	■		
5	Internal	2	15.875	15.875	4.76	13.375	3	5-1134	API BUTT 5TPI CAS 1/16 INTPUL	C-1018-96	■		
5	Internal	2	25.0	15.875	5.0	22.5	5	5-5110	API BUTT 5TPI 1/16 INTPULLING	C-5003-96	■		
5	External	1	20.0	15.692	4.76	4.84	3	5-4131-1	API BUTTRESS 1/16 5TPI EXT 1	C-4001-4	■		
5	External	1	20.0	15.875	4.76	2.3	4	5-4131-2	API BUTTRESS 1/16 5TPI EXT 2	C-4001-4	■		
5	External	1	20.0	15.669	4.76	4.82	3	5-4135-1	API BUTTRESS 5TPI 1/12 EXT 1	C-4001-4	■		
5	External	1	20.0	15.875	4.76	2.28	4	5-4135-2	API BUTTRESS 5TPI 1/12 EXT 2	C-4001-4	■		
5	External	1	17.0	14.57	4.76	5.552	3	5-3105-1	API BUTTRESS 5TPI 1/16 EXT 1	-	■		
5	External	1	17.0	14.825	4.76	3.858	3	5-3105-2	API BUTTRESS 5TPI 1/16 EXT 2	-	■		
5	External	1	17.0	14.98	4.76	2.165	3	5-3105-3	API BUTTRESS 5TPI 1/16 EXT 3	-	■		
5	External	1	20.0	15.692	4.76	4.84	3	5-4701-1	GOSTOTTM5TPIEXT,1	C-4001-4	■		
5	External	1	20.0	15.875	4.76	2.3	4	5-4701-2	GOSTOTTM5TPIEXT,2	C-4001-4	■		

## Chipformers

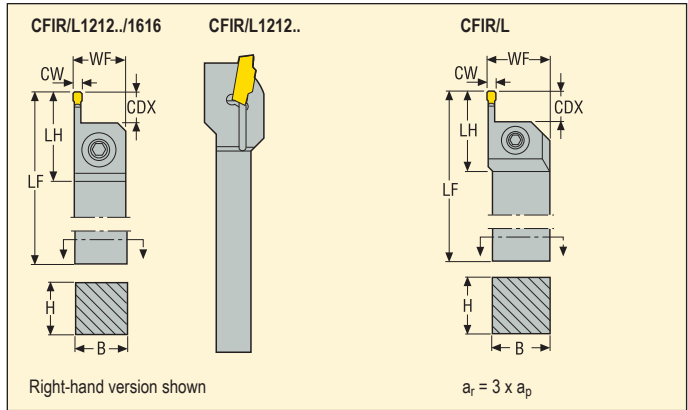


Type	Designation	Dimensions in mm		
		INSL	W1	S
1	C-1001	15,7	11,5	3,97
2	C-1001-4	15,7	11,5	3,97
3	C-1001-96	15,7	11,5	3,97
1	C-1002	15,7	11,5	3,97
2	C-1002-4	15,7	11,5	3,97
3	C-1002-96	15,7	11,5	3,97
1	C-1003	15,7	11,5	3,97
1	C-1004	15,7	11,5	3,97
2	C-1004-4	15,7	11,5	3,97
3	C-1004-96	15,7	11,5	3,97
2	C-1005-4	15,7	11,5	3,97
3	C-1005-96	15,7	11,5	3,97
2	C-1006-4	15,7	11,5	3,97
1	C-1009	15,7	11,5	3,97
1	C-1009-4	15,7	11,5	3,97
3	C-1009-96	15,7	11,5	3,97
1	C-1010	15,7	11,5	3,97
2	C-1010-4	15,7	11,5	3,97
3	C-1010-96	15,7	11,5	3,97
3	C-1013-96	15,7	11,5	3,97
1	C-1018	15,7	11,5	3,97
3	C-1018-96	15,7	11,5	3,97
3	C-1021-96	15,7	11,5	3,97
4	C-1022	15,7	11,5	3,18
5	C-1023	15,7	11,5	3,18
4	C-1024	15,7	11,5	3,97
5	C-1025	15,7	11,5	3,97
5	C-1032	15,7	11,5	3,18
4	C-1033	15,7	11,5	3,18
5	C-1034	15,7	11,5	3,18
4	C-1035	15,7	11,5	3,18
3	C-1601-96	15,7	12,5	3,97
2	C-1604-4	15,7	12,5	3,97
4	C-1X37-I-145	15,7	14,5	3,18
5	C-1X38-I-145	15,7	14,5	3,18
4	C-1X39-I-145	15,7	14,5	3,18
5	C-1X40-I-145	15,7	14,5	3,18
4	C-1X41-I-145	15,7	14,5	3,18
5	C-1X42-I-145	15,7	14,5	3,18
2	C-4001-4	19,8	11,5	3,97
2	C-5001-4	24,8	11,5	3,97
3	C-5001-96	24,8	11,5	3,97
2	C-5002-4	24,8	11,5	3,97
3	C-5002-96	24,8	11,5	3,97
1	C-5003	24,8	11,5	3,97
2	C-5003-4	24,8	11,5	3,97
3	C-5003-96	24,8	11,5	3,97
1	C-5005	24,8	11,5	3,0
1	C-5006	24,8	11,5	3,0
6	C-5705-G	24,8	13,0	3,0
6	C-5803-4	24,8	13,5	3,97
6	C-5805-G	24,8	13,5	3,0
6	C-5905-G	24,8	14,0	3,0
4	C-9001-I	12,6	11,5	3,18

## Toolholders for inserts LCGN



• For inserts programme, see page(s) 119-120



Application	Designation	Dimensions in mm					KG		
		H	B	LF	WF	LH			CDX
	CFIR1212M03	12,0	12,0	150,0	12,0	31,0	9,0	0,2	LC..1603..
	CFIR1616H03	16,0	16,0	100,0	16,0	28,0	9,0	0,2	LC..1603..
	CFIR2020K03	20,0	20,0	125,0	21,5	28,0	9,0	0,4	LC..1603..
	CFIR2525M03	25,0	25,0	150,0	26,5	28,0	9,0	0,7	LC..1603..
	CFIR3225P03	32,0	25,0	170,0	26,5	28,0	9,0	1,0	LC..1603..
	CFIL1212M03	12,0	12,0	150,0	12,0	31,0	9,0	0,2	LC..1603..
	CFIL1616H03	16,0	16,0	100,0	16,0	28,0	9,0	0,2	LC..1603..
	CFIL2020K03	20,0	20,0	125,0	21,5	28,0	9,0	0,4	LC..1603..
	CFIL2525M03	25,0	25,0	150,0	26,5	28,0	9,0	0,7	LC..1603..
	CFIL3225P03	32,0	25,0	170,0	26,5	28,0	9,0	1,0	LC..1603..

## Spare Parts, Parts included in delivery

For holder	Clamp screw	Clamp key	Torque value (Nm)
..1212M03	TCEI0409	3SMS795	2,5
..1616H03	TCEI0509	4SMS795	6,0
..2020K03	TCEI0513	4SMS795	6,0
..2525M03	TCEI0513	4SMS795	6,0
..3225P03	TCEI0513	4SMS795	6,0
..1212M03	TCEI0409	3SMS795	6,0

Please check availability in current price and stock-list



## LCGN – Partial profile 55°

Tolerances:  
 IGL =  $\pm 0,025$   
 RE =  $\pm 0,025$

Size	Dimensions in mm		
	IGL	S	RE
-A55	16,6	4,5	0,08
-G55	16,6	4,5	0,18

Pitch	Grades					
	Coated					
	CP500	CP600	TK150	TGP25		
mm	TPI	Insert Part No. Right	CP500	CP600	TK150	TGP25
0,5-1,5	48,0-16,0	LCGN1603-A55	■			
1,75-3,0	14,0-8,0	LCGN1603-G55	■			

Helix angle not to exceed  $\lambda + 2^\circ$

## LCGN – Partial profile 60°

Tolerances:  
 IGL =  $\pm 0,025$   
 RE =  $\pm 0,025$

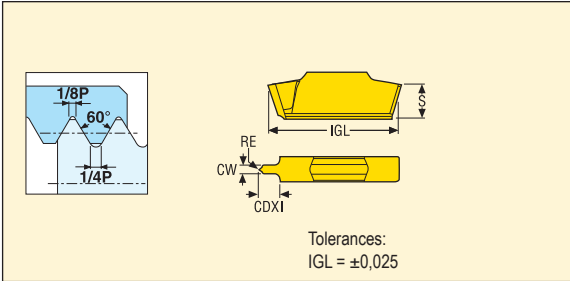
Size	Dimensions in mm		
	IGL	S	RE
-A60	16,6	4,5	0,08
-G60	16,6	4,5	0,18

Pitch	Grades					
	Coated					
	CP500	CP600	TK150	TGP25		
mm	TPI	Insert Part No. Right	CP500	CP600	TK150	TGP25
0,5-1,5	48,0-16,0	LCGN1603-A60	■			
1,75-3,0	14,0-8,0	LCGN1603-G60	■			

■ Stock standard  
 Subject to change refer to current price- and stock-list

Helix angle not to exceed  $\lambda + 2^\circ$

## LCGN – ISO Metric



Size	Dimensions in mm				
	CW	IGL	S	CDX	RE
-E0.5	0,75	16,6	4,5	1,9	0,07
-E0.8	1,2	16,6	4,5	3,0	0,11
-E1.0	1,5	16,6	4,5	3,75	0,13
-E1.25	1,88	16,6	4,5	4,2	0,17
-E1.5	2,4	16,6	4,5	-	0,21

Pitch mm	Insert Part No. Right	Note	Grades				
			Coated				
			CP500	CP600	TK150	TGP25	
0,50	<b>LCGN1603-E0.5ISO</b>	*	■				
0,80	<b>LCGN1603-E0.8ISO</b>	*	■				
1,00	<b>LCGN1603-E1.0ISO</b>	*	■				
1,25	<b>LCGN1603-E1.25ISO</b>	*	■				
1,50	<b>LCGN1603-E1.5ISO</b>	-	■				

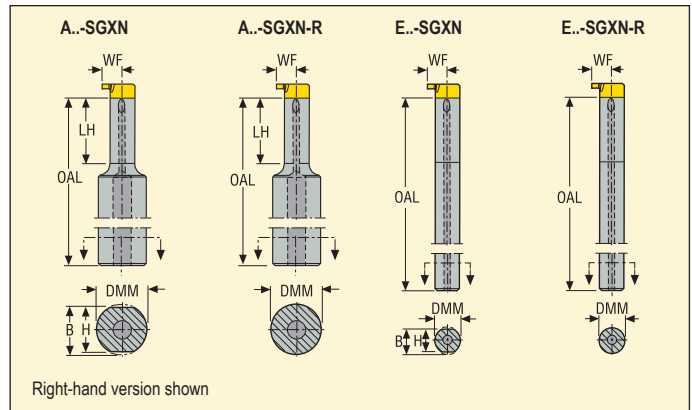
■ Stock standard  
Subject to change refer to current price- and stock-list

Helix angle not to exceed  $\lambda + 2^\circ$   
\*Toolholders have to be modified

## Toolholders for inserts LCEX



• For inserts programme, see page(s) 122-126



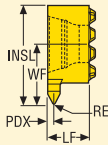
Application	Designation	Dimensions in mm							KG		
		DMM	H	B	LF	WF	LH	DCINN			
	A12G-SGXN08-20	12,0	11,0	11,5	86,5	4,8	16,5	8,0	0,1	LCEX08..	
	A12G-SGXN08-20-R	12,0	–	–	86,5	4,8	16,5	8,0	0,1	LCEX08..	
	A16H-SGXN11-25	16,0	15,0	15,5	96,0	6,7	21,0	11,0	0,2	LCEX11..	
	A16H-SGXN11-25-R	16,0	–	–	96,0	6,7	21,0	11,0	0,2	LCEX11..	
	E06G-SGXN08	6,0	5,5	5,75	86,5	4,8	–	8,0	0,1	LCEX08..	
	E06G-SGXN08-R	6,0	–	–	86,5	4,8	–	8,0	0,1	LCEX08..	
	E08H-SGXN11	8,0	7,3	7,65	96,0	6,7	–	11,0	0,1	LCEX11..	
	E08H-SGXN11-R	8,0	–	–	96,0	6,7	–	11,0	0,1	LCEX11..	

## Spare Parts, Parts included in delivery

For holder	Insert key	Insert screw
A12G..-	T08P-2	C02506-T08P
A16H..-	T10P-2	C03509-T10P
E06G..-	T08P-2	C02506-T08P
E08H..-	T10P-2	C03509-T10P

Please check availability in current price and stock-list

## Threading – Partial Profile 60°



Size	Dimensions in mm		
	WF	INSL	LF
8	4,78	7,78	3,3
11	6,7	10,7	4,0

..R



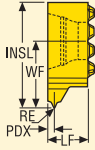
..L



Pitch		Dimensions in mm		Designation	Grades						
mm	TPI	PDX	RE		Coated			Uncoated			
					CP200	CP300	CP500	H15			
0,5-0,75	48,0-36,0	0,48	0,03	LCEX0804-A60R			■				
0,5-0,75	48,0-36,0	0,48	0,03	LCEX0804-A60L			■				
0,75-1,25	36,0-20,0	0,73	0,07	LCEX0804-AG60R			■				
0,75-1,25	36,0-20,0	0,73	0,07	LCEX0804-AG60L			■				
1,25-1,75	20,0-16,0	0,98	0,12	LCEX0804-G60R			■				
1,25-1,75	20,0-16,0	0,98	0,12	LCEX0804-G60L			■				

■ Stock standard  
 Subject to change refer to current price- and stock-list

## Threading – ISO Metric



Size	Dimensions in mm		
	WF	INSL	LF
11	6,7	10,7	4,0

..R



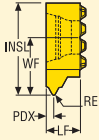
..L



Pitch		Dimensions in mm		Designation	Grades							
mm	TPI	PDX	RE		Coated			Uncoated				
					CP200	CP300	CP500	H15				
1,0	–	0,6	0,07	LCEX1105-1.0ISOR			■					
1,0	–	0,6	0,07	LCEX1105-1.0ISOL			■					
1,5	–	0,8	0,12	LCEX1105-1.5ISOR			■					
1,5	–	0,8	0,12	LCEX1105-1.5ISOL			■					
2,0	–	1,1	0,17	LCEX1105-2.0ISOR			■					
2,0	–	1,1	0,17	LCEX1105-2.0ISOL			■					
2,5	–	1,35	0,18	LCEX1105-2.5ISOR			■					
2,5	–	1,35	0,18	LCEX1105-2.5ISOL			■					
3,0	–	1,6	0,21	LCEX1105-3.0ISOR			■					
3,0	–	1,6	0,21	LCEX1105-3.0ISOL			■					

■ Stock standard  
 Subject to change refer to current price- and stock-list

## Threading – Whitworth, BSW



Size	Dimensions in mm		
	WF	INSL	LF
11	6,7	10,7	4,0

..R

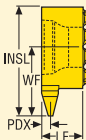


..L



Pitch		Dimensions in mm		Designation	Grades						
mm	TPI	PDX	RE		Coated			Uncoated			
					CP200	CP300	CP500	H15			
–	19,0	0,77	0,15	LCEX1105-19WR			■				
–	19,0	0,77	0,15	LCEX1105-19WL			■				
–	14,0	1,0	0,24	LCEX1105-14WR			■				
–	14,0	1,0	0,24	LCEX1105-14WL			■				

## Threading – TR-DIN103



Size	Dimensions in mm		
	WF	INSL	LF
11	6,7	10,7	4,0

..RR



..RL



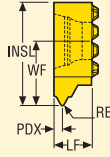
Pitch		Dimensions in mm		Designation	Grades						
mm	TPI	PDX			Coated			Uncoated			
					CP200	CP300	CP500	H15			
1,5	–	0,8		LCEX1105-1.5TRR			■				
1,5	–	0,8		LCEX1105-1.5TRL			■				
2,0	–	1,1		LCEX1105-2.0TRR			■				
2,0	–	1,1		LCEX1105-2.0TRL			■				
3,0	–	1,6		LCEX1105-3.0TRR			■				
3,0	–	1,6		LCEX1105-3.0TRL			■				

■ Stock standard  
 Subject to change refer to current price- and stock-list

# Thread Mini-Shaft™ – Inserts



## Threading - UN



Size	Dimensions in mm		
	WF	INSL	LF
8	4,78	7,78	3,3

..R



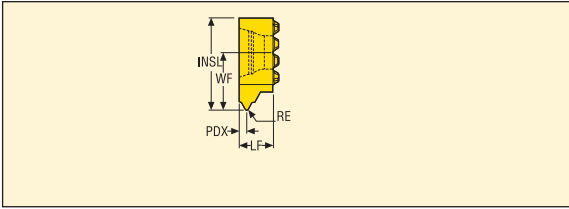
..L



Pitch		Dimensions in mm		Designation	Grades										
mm	TPI	PDX	RE		Coated			Uncoated							
					CP200	CP300	CP500	H15							
–	32,0	0,5	0,04	LCEX0804-32UNR			■								
–	32,0	0,5	0,04	LCEX0804-32UNL			■								
–	24,0	0,6	0,07	LCEX0804-24UNR			■								
–	24,0	0,6	0,07	LCEX0804-24UNL			■								
–	20,0	0,7	0,09	LCEX0804-20UNR			■								
–	20,0	0,7	0,09	LCEX0804-20UNL			■								
–	16,0	0,9	0,13	LCEX0804-16UNR			■								
–	16,0	0,9	0,13	LCEX0804-16UNL			■								

■ Stock standard  
Subject to change refer to current price- and stock-list

## Threading – NPT

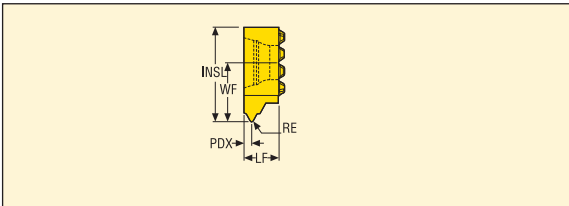


Size	Dimensions in mm		
	WF	INSL	LF
8	4,78	7,78	3,3

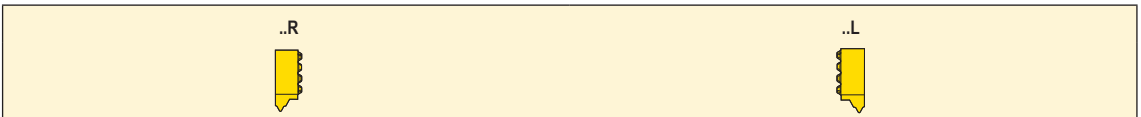


Pitch		Dimensions in mm		Designation	Grades						
mm	TPI	PDX	RE		Coated			Uncoated			
					CP200	CP300	CP500	H15			
–	27,0	0,57	0,03	LCEX0804-27NPTR			■				
–	27,0	0,57	0,03	LCEX0804-27NPTL			■				

## Threading – NPTF



Size	Dimensions in mm		
	WF	INSL	LF
8	4,78	7,78	3,3






Pitch		Dimensions in mm		Designation	Grades					
mm	TPI	PDX	RE		Coated			Uncoated		
					CP200	CP300	CP500	H15		
–	27,0	0,57	0,04	LCEX0804-27NPTFR			■			
–	27,0	0,57	0,04	LCEX0804-27NPTFL			■			

■ Stock standard  
 Subject to change refer to current price- and stock-list





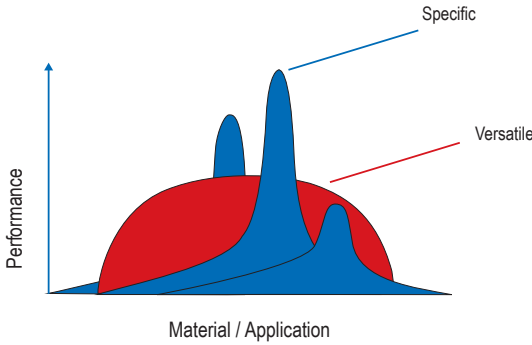
## Range overview

Threading	Ø Range	Length
<p>Threadmaster™</p>  <p>Pages 143-146</p>	<p>M1-M20</p>	<p>~ 1,5-2 x D</p>
<p>R396.18/19/20</p>  <p>Pages 147-149</p>	<p>14 ≤</p>	<p>~ 2 - 3,5 x D</p>
<p>Threadmaster™ Taps</p>  <p>Pages 160-261</p>	<p>M1-M64</p>	<p>~ 1,5–3,5 x D</p>

## Versatile & Specific

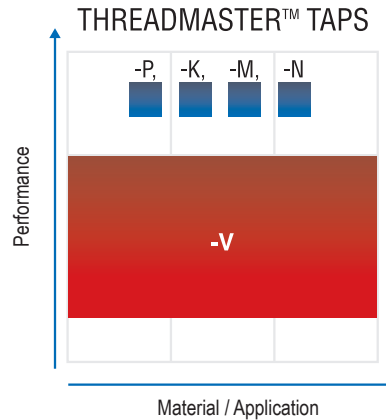
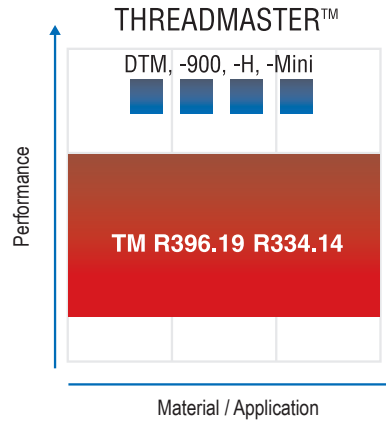
### Thread milling and Tapping – Choice of tool

#### Product Strategy



Continuous research and development of better materials, coatings and optimal geometries help fulfil customer's requirements. Our product strategy is to provide the market with versatile first choice tools and specific optimized solutions for threading.

#### Product Assortment



## Thread milling – Choice of cutter, inserts and cutting data

### Solid carbide cutter – Threadmaster™

#### 1. General

The same cutter can be used for machining both right and left hand threads. Metric and UN versions are only for internal threading. The remaining of the range can be used for both external and internal threading.

- The cutters are regrindable

#### 2. Select cutter diameter

- Look up the pages with the Threadmaster programmes
- Look up the column for the required thread type
- Look up the required pitch
- When more alternatives are available note that:
  - Smaller cutter diameter allows smaller threading diameter (minimum thread diameter is found in the designation).
  - Larger cutter diameter allows larger threading depth (maximum threading depth is 2 x cutter diameter,  $D_c$ ).

#### 3. Selection of cutter

- TM: Basic choice
- TM...-900: Choice for steel and stainless steel with tensile strength > 900 N/mm<sup>2</sup>
- TM...-H: Choice for hardened steel with hardness 45-60 HRC
- DTM: Drill, thread and chamfer with same tool. To be used in aluminium and cast iron

#### 4. Select cutting data

- Use the tables beginning on page 262 to classify the workpiece material into a SMG (Seco Material Group)
- Cutting speed recommendations are found on the cutting data page for Threadmaster
- Feed per tooth (= flute) recommendations are found on the cutting data page for Threadmaster
- Formulae for cutting data calculation are on page 133
- For best performance use the "Seco Threading Wizard" software (available at <https://www.secotools.com/#dashboard/Portal/ThreadingWizard>).

#### 5. Machining methods

- Helical interpolation must be used to create the pitch
- Clockwise or counterclockwise feed direction can be used depending on thread type and machining method (right or left hand), external or internal thread
- Climb milling is recommended
- Coolant supply is recommended. Except when threading hardened material
- Special machining recommendations for certain workpiece materials are found on the cutting data page for Threadmaster

## Feed recommendations

### Threadmaster™:

- Feed recommendations for TM-M4X0.7ISO-6R1 except for TM-Mini, that recommendation is for TM-M1.0X0.25ISO-3R1-H and only a start value
- For best performance use the "Seco Threading Wizard" software (available at <https://www.secotools.com/#dashboard/Portal/ThreadingWizard>)
- All feed are related to the centre of the cutter and not the periphery
- In the entrance loop reduce feed by 50%. In the exit loop increase feed by 50%
- In the entrance and exit loop feed the cutter 15% of the pitch axially
- For free cutting steel, low alloy and ferritic steel, quench & temper steel, low to medium alloy stainless steels and austenitic cast irons, leave 0,05 mm in  $a_e$  for a finishing cut
- For high strength steels, martensitic and high alloy stainless steels, Ni-based superalloys and titanium alloys remove 2/3 of  $a_e$  in the first cut and the remaining 1/3 in the second cut
- For hardened steels remove 1/3 of  $a_e$  in the first cut, 1/3 of  $a_e$  in the second cut and the remaining 1/3 in the third cut
- For NPT and NPTF threads take the whole  $a_e$  in one cut
- Coolant is recommended (except when using -H in hardened materials)
- The Metric and UN thread mills are only for internal threads

### TM-Mini:

- Left-hand cutting (M4)
- Do the entrance loop before entering into the workpiece

### DTM:

- Use peck drilling

## Choice of cutter, inserts and cutting data

### 1. General

- The same cutter can be used for machining external and internal, right-hand and left-hand threads

### 2. Select cutter diameter

- Look up the pages for thread milling cutters and choose a suitable diameter in the tool data table
- The insert size varies with the cutter diameters. Check the available insert programme for the different sizes before deciding cutter diameter
- For internal thread milling check the 'minimum thread diameter' table before deciding cutter diameter. This table shows the relation between the cutter diameter and the smallest thread diameter to be machined

### 3. Select insert

- Look up the thread milling inserts pages and choose the required thread type in the correct insert size for the cutter. Choose the grade F30M/CP500 for general machining

### 4. Select cutting data

#### Radial cutting depth

- Use the formulae to calculate the radial cutting depth ( $a_e$ ). (See figures)

#### Feed rate

- Divide the radial cutting depth with the cutter diameter to get the actual cutter engagement percentage ( $a_e/D_c\%$ ). Use the cutting data table to get a feed per tooth recommendation

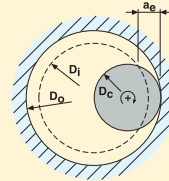
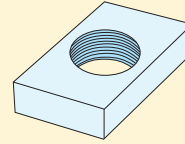
#### Cutting speed

- Use the tables beginning at page 262 to classify the workpiece material into a SMG
- Cutting speed recommendations (for 10% engagement) are in the basic cutting speed table in the catalogue
- Maximum rpm that for safety reasons should never be exceeded, are shown on each product page
- Formulae for cutting data calculation are found on page 133

### 5. Machining methods

- Helical interpolation must be used to create the pitch
- Clockwise or counterclockwise feed direction can be used depending on thread type and machining method (right or left hand, external or internal thread)
- Climb milling and coolant is recommended

### Internal



$$D_i = D_o - 2h$$

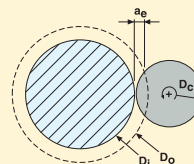
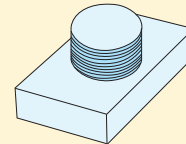
Thread	h
ISO	0,60 x p
UN	0,60 x p
W	0,69 x p
BSPT	0,69 x p
NPT	0,78 x p

Radial infeed value  $a_e$ :

$$a_e = \frac{D_o^2 - D_i^2}{4(D_o - D_c)}$$

p = pitch (mm)  
h = depth of thread  
D<sub>c</sub> = Cutter dia mm  
D<sub>o</sub> = Major dia mm  
D<sub>i</sub> = Minor dia mm

### External



$$D_i = D_o - 2h$$

Thread	h
ISO	0,65 x p
UN	0,65 x p
W	0,69 x p
BSPT	0,69 x p
NPT	0,78 x p

Radial infeed value  $a_e$ :

$$a_e = \frac{D_o^2 - D_i^2}{4(D_i + D_c)}$$

p = pitch (mm)  
h = depth of thread  
D<sub>c</sub> = Cutter dia mm  
D<sub>o</sub> = Major dia mm  
D<sub>i</sub> = Minor dia mm

## Choice of cutter, inserts and cutting data – Threading Wizard

In order to simplify the selection of tools and cutting parameters Seco has introduced the Threading Wizard software, which eliminates complicated programming and calculations. The Threading Wizard selects the optimum holder and insert, identifies the best operating parameters and then downloads the information to the CNC machine.

The Threading Wizard is free and downloadable at <https://www.secotools.com/#dashboard/Portal/ThreadingWizard>.



<b>RPM</b>	$n = \frac{v_c \cdot 1000}{\pi \cdot D_c} \quad (\text{rev/min})$	
<b>Cutting speed</b>	$v_c = \frac{n \cdot \pi \cdot D_c}{1000} \quad (\text{m/min})$	
<b>Feed speed</b>	$v_f = n \cdot z_n \cdot f_z \quad (\text{mm/min})$	
	$v_f = n \cdot z_c \cdot f_z \quad (\text{mm/min})$	
<b>Feed per revolution</b>	$f = z_n \cdot f_z \quad (\text{mm/rev})$	
	$f = z_c \cdot f_z \quad (\text{mm/rev})$	

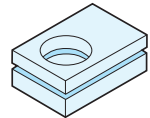
$D_c$	= Cutter diameter	mm
$f$	= Feed per revolution	mm/rev
$f_z$	= Feed per tooth	mm/tooth
$z_c$	= Effective No. of teeth for calculation of feed speed or feed per rev	
$n$	= RPM	rev/min
$v_c$	= Cutting speed	m/min
$v_f$	= Feed speed	mm/min
$z_n$	= No. of teeth	

## Disc Milling cutter 335.14

Disc milling cutter with exchangeable carbide head from diameter 9.7 mm.



- A broad range of heads and shanks available for all your disc milling operation by circular interpolation or linear slotting.
- Strong, reliable and precise connection between the head and the cutter body.
- Cover all type of material with universal M geometry and F32M grade.



**Threading:** Head from dia 11,7 to 27,7 mm for partial metric threads with pitch 1-6 mm and full profile whitworth threads with pitch 19 to 11 tpi and UN threads with pitch 24 to 6 tpi.

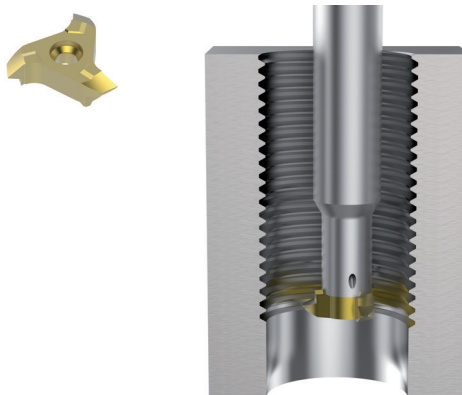
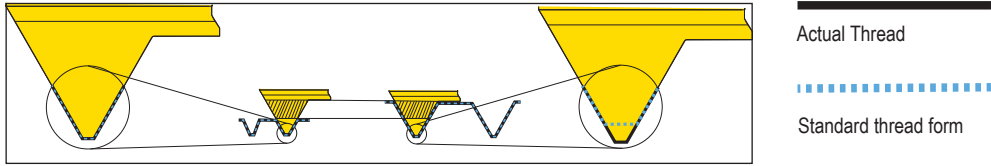


Image shows exemplary application possibility with similar tool.



## Pitch (as of/up to)



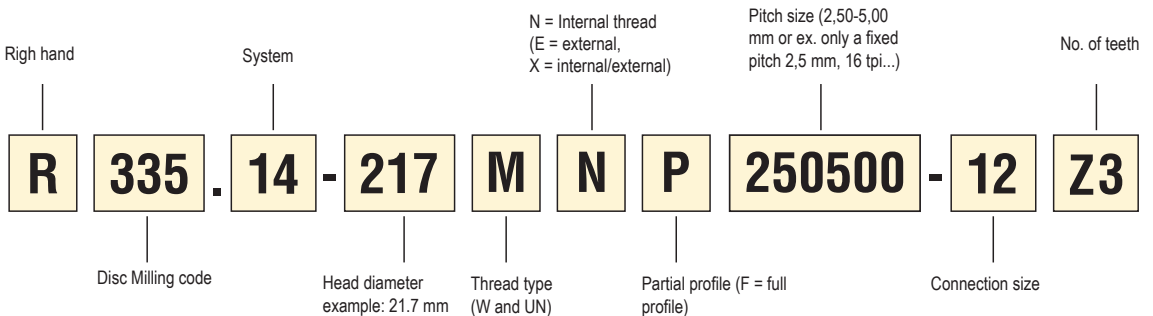
Thread milling by circular interpolation can cause thread profile violation when using insert for partial thread. Keep this in mind during the process of selecting tool. The tool diameter need to be small enough compare to the hole diameter. The pitch also needs to be considered.

Insert with partial profile for Metric ISO-Threads are multi tools. That means that each insert could machine different pitches. The insert is designed to meet the minimum pitch size (TPN); Machining this pitch will result in a standard conform thread form.

The given maximum pitch size (TPX) can be machined also with this insert at the expense of standard conformity: The result will be a slightly deeper thread than the standard. The deeper thread is normally accepted, but the application and use needs to be evaluated.

Following table is a recommendation over maximum tool diameter in relation to the thread size and pitch:

ISO-Thread, partial profile											
Pitch	M12	M16	M20	M24	M27	M30	M36	M42	M48	M56	M60
1	10	14	18	22	25	28	34	40	45	53	57
1,5	8	12	16	20	24	26	32	37	43	51	55
2	7	10	14	18	22	24	30	35	40	48	52
2,5	6	8	12	16	20	22	28	32	37	45	48
3		6	10	14	18	20	26	30	36	43	47
3,5				12	16	18	24	29	35	42	46
4							22	27	32	39	43
4,5								24	30	37	40
5								22	27	34	37
5,5								20	25	31	35
6								19	23	29	32



## Threadmaster™ – Cutting data

SMG	TM		TM-900		TM-H		TM-MINI	
	$f_z$	$v_c$	$f_z$	$v_c$	$f_z$	$v_c$	$f_z$	$v_c$
P1	0,010	145	—	—	—	—	—	—
P2	0,010	140	—	—	—	—	—	—
P3	0,0095	120	0,0042	120	—	—	—	—
P4	0,0095	105	0,0040	105	—	—	—	—
P5	0,0090	100	0,0040	100	—	—	—	—
P6	0,0090	115	0,0040	115	—	—	—	—
P7	0,0090	110	0,0040	110	—	—	—	—
P8	0,0095	100	0,0042	100	—	—	—	—
P11	0,0090	105	0,0040	105	—	—	—	—
P12	0,0060	60	0,0028	60	—	—	—	—
M1	0,010	100	0,0044	100	—	—	—	—
M2	0,0090	80	0,0040	80	—	—	—	—
M3	0,0075	60	0,0032	60	—	—	—	—
M4	0,0065	47	0,0028	47	—	—	—	—
M5	0,0065	39	0,0028	39	—	—	—	—
K1	0,010	145	0,0044	100	—	—	—	—
K2	0,0090	125	0,0040	90	—	—	—	—
K3	0,0090	105	0,0040	75	—	—	—	—
K4	0,0090	100	0,0040	70	—	—	—	—
K5	0,0080	60	0,0036	43	—	—	—	—
K6	0,0090	90	0,0040	65	—	—	—	—
K7	0,0080	80	0,0036	55	—	—	—	—
N1	0,013	395	0,0055	335	—	—	—	—
N2	0,013	255	0,0055	215	—	—	—	—
N3	0,013	170	0,0055	145	—	—	—	—
N11	0,013	225	0,0055	195	—	—	—	—
S1	0,0065	50	0,0028	20	—	—	—	—
S2	0,0065	41	0,0028	15	—	—	—	—
S3	0,0060	20	0,0026	10	—	—	—	—
S11	0,0075	105	0,0032	40	—	—	—	—
S12	0,0075	80	0,0032	31	—	—	—	—
S13	0,0065	65	0,0028	24	—	—	—	—
H3	—	—	—	—	0,0017	19	0,0026	11
H5	—	—	—	—	0,0026	36	0,0040	21
H7	—	—	—	—	0,0017	19	0,0026	11
H8	—	—	—	—	0,0020	36	0,0030	21
H11	—	—	—	—	0,0026	45	0,0040	26
H12	—	—	—	—	0,0020	41	0,0030	24
H21	—	—	—	—	0,0020	36	0,0030	21
H31	—	—	—	—	—	—	—	—

SMG = Seco Material Group

$f_z$  = mm/tooth (mm/flute)

$v_c$  = m/min

All cutting data are start values

All feed are related to the centre of the cutter and not the periphery.

## Drilling Threadmaster™ – Cutting data, threadmilling

SMG	DTM	
	$f_z$	$v_c$
K1	0,0065	175
K2	0,0060	155
K3	0,0060	130
K4	0,0060	125
K5	0,0055	75
K6	0,0060	110
K7	0,0055	95
N1	0,0085	400
N2	0,0085	255
N3	0,0085	170
N11	0,0085	225

## Drilling Threadmaster™ – Cutting data, drilling

SMG	f						$v_c$
	Ø3.01-5.0	Ø5.01-7.0	Ø7.01-9.0	Ø9.01-11.0	Ø11.01-13.0	Ø13.01-15.0	
K1	0,12	0,15	0,18	0,19	0,22	0,24	170
K2	0,11	0,13	0,16	0,17	0,20	0,22	150
K3	0,11	0,13	0,16	0,17	0,20	0,22	125
K4	0,11	0,13	0,16	0,17	0,20	0,22	120
K5	0,095	0,12	0,14	0,16	0,18	0,20	70
K6	0,11	0,13	0,16	0,17	0,20	0,22	105
K7	0,095	0,12	0,14	0,16	0,18	0,20	90
N1	0,15	0,19	0,22	0,24	0,28	0,32	390
N2	0,15	0,19	0,22	0,24	0,28	0,32	250
N3	0,15	0,19	0,22	0,24	0,28	0,32	165
N11	0,15	0,19	0,22	0,24	0,28	0,32	220

SMG = Seco Material Group

$f_z$  = mm/tooth (mm/flute)

f = mm/rev

$v_c$  = m/min

All cutting data are start values

Feed are related to the centre of the cutter and not the periphery.

## Thread Milling 396.18/19/20 Cutting data

SMG	CP500		F30M		H15	
	$f_z$	$v_c$	$f_z$	$v_c$	$f_z$	$v_c$
P1	0,050	390	0,050	390	—	—
P2	0,050	375	0,050	375	—	—
P3	0,048	325	0,048	325	—	—
P4	0,048	285	0,048	285	—	—
P5	0,046	275	0,046	275	—	—
P6	0,046	305	0,046	305	—	—
P7	0,046	290	0,046	290	—	—
P8	0,048	275	0,048	275	—	—
P11	0,046	280	0,046	280	—	—
P12	0,032	165	0,032	165	—	—
M1	0,050	285	0,050	285	—	—
M2	0,046	230	0,046	230	—	—
M3	0,038	175	0,038	175	—	—
M4	0,032	130	0,032	130	—	—
M5	0,032	110	0,032	110	—	—
K1	0,050	300	0,050	300	0,040	270
K2	0,046	260	0,046	260	0,036	235
K3	0,046	220	0,046	220	0,036	200
K4	0,046	210	0,046	210	0,036	190
K5	0,042	125	0,042	125	0,034	115
K6	0,046	185	0,046	185	0,036	170
K7	0,042	160	0,042	160	0,034	145
N1	0,065	1375	0,065	1375	0,050	1375
N2	0,065	890	0,065	890	0,050	890
N3	0,065	590	0,065	590	0,050	590
N11	0,065	780	0,065	780	—	—

SMG = Seco Material Group

$f_z$  = mm/tooth (mm/flute)

$v_c$  = m/min (for holder types -065AM, -079AM and -080AM use factor 0,75 on  $v_c$ )

All cutting data are start values

All feed are related to the centre of the cutter and not the periphery.

### Feed related to the centre of the cutter

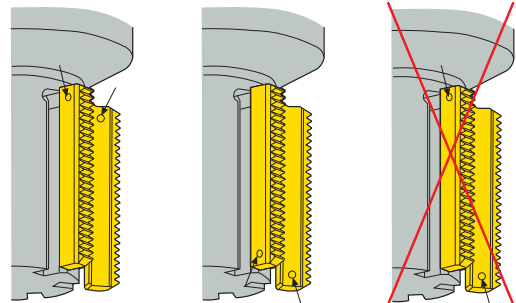
When calculating feed and feed/tooth from average chip thickness using circular interpolation or helical interpolation ramping in an operation, the feed and feed/tooth are always related to the centre and not to the periphery of the cutter.

### Tolerance on the machined component.

The tolerance on the thread diameter is 6H when using a cutter with more than one tooth. With a single cutting insert the tolerance is 4H.

If a multi-tooth milling cutter is used with one cutting insert, the other insert seat(s) must be equipped with non-cutting blank insert(s) to stabilise the milling cutter during the cutting process.

As all 396.19 inserts are double sided, it is important that all inserts are mounted in the same position to achieve best possible tolerance. It must be done by indexing the identification dots in the same position. See opposite figure.



## Cutting speed Thread milling 335.14

SMG	R335.14	
	$f_z$	$v_c$
P1	0,070	275
P2	0,070	270
P3	0,070	230
P4	0,065	205
P5	0,065	195
P6	0,065	220
P7	0,065	205
P8	0,070	195
P11	0,065	200
P12	0,044	120
M1	0,070	215
M2	0,065	175
M3	0,055	130
M4	0,046	100
M5	0,046	85
K1	0,070	210
K2	0,065	185
K3	0,065	155
K4	0,065	150
K5	0,060	90
K6	0,065	130
K7	0,060	115
N1	0,090	970
N2	0,090	620
N3	0,090	415
N11	0,090	475
S1	0,046	50
S2	0,046	41
S3	0,042	35
S11	0,055	65
S12	0,055	50
S13	0,046	39
H5	0,044	43
H8	0,034	45
H11	0,044	60
H12	0,034	55
H21	0,034	45

SMG = Seco material group

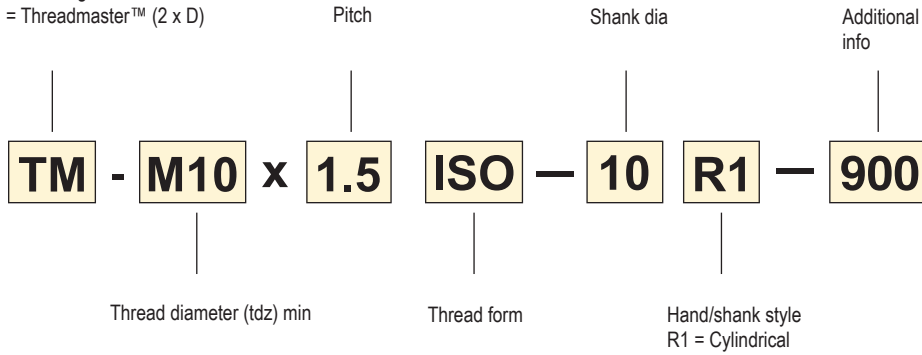
$f_z$  = mm/tooth (mm/flute)

$v_c$  = m/min

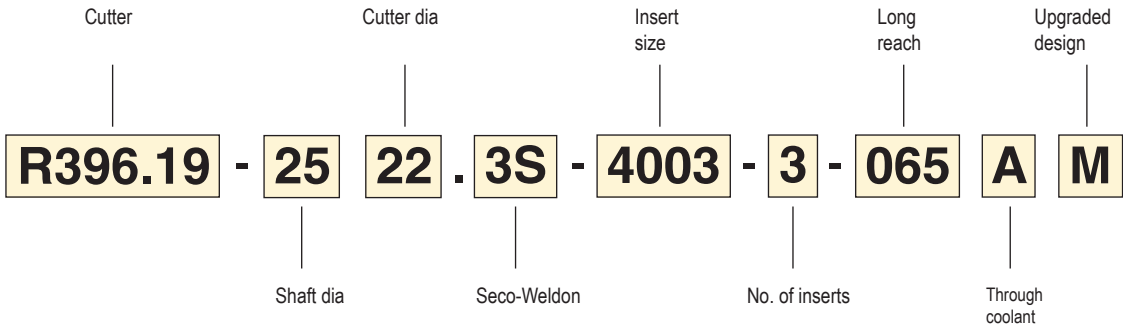
All cutting data are start values

## Threadmaster™ – Code key

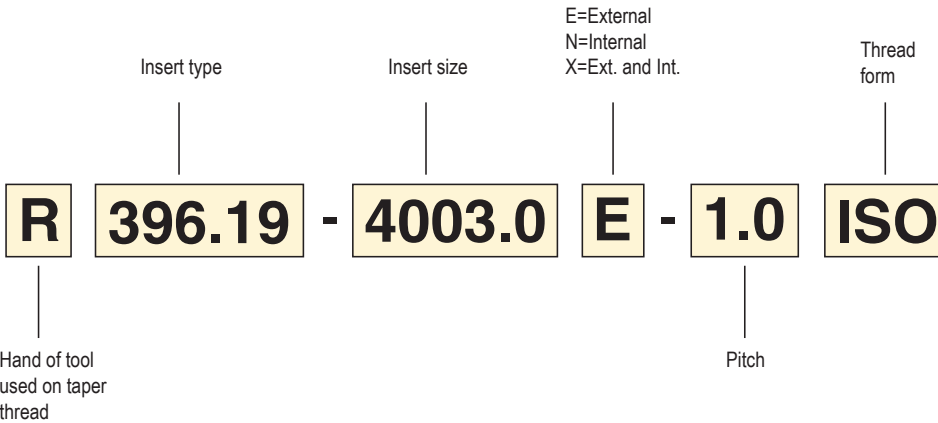
DTM = Drilling Threadmaster™  
 TM = Threadmaster™ (2 x D)



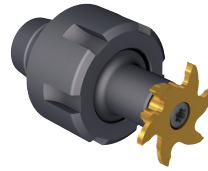
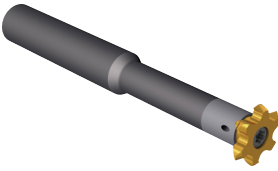
## R396.18/19/20 – Code key



## Insert 396.19/20 – Code key

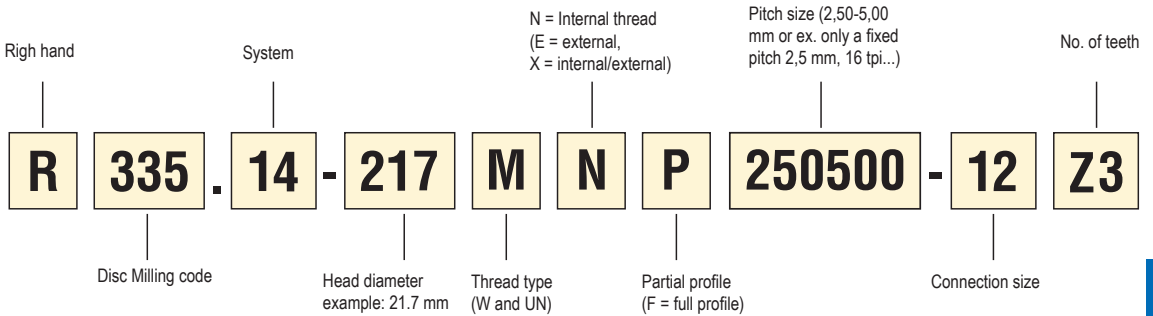


## Disc Milling cutter 335.14

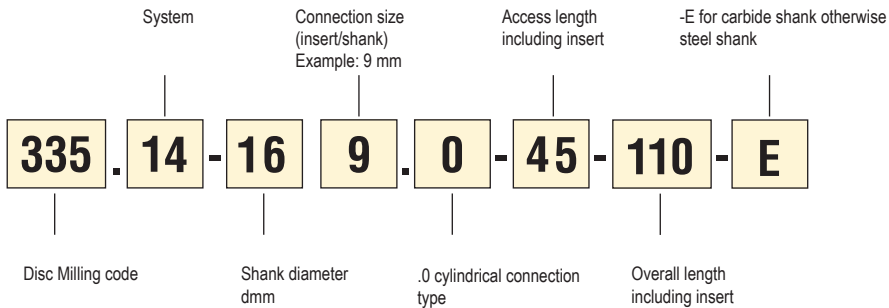


2 types of shanks available: cylindrical available both in steel and carbide, or ER collet chuck system

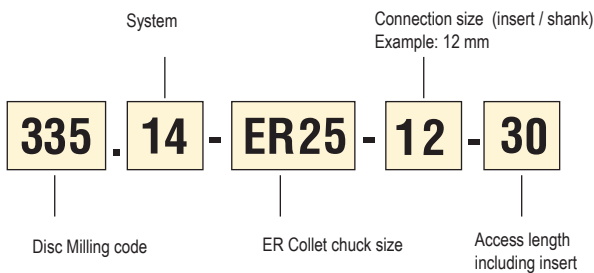
### Code key Threading insert




### Code key cylindrical shank



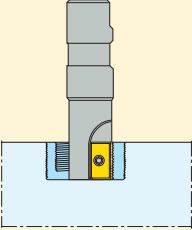
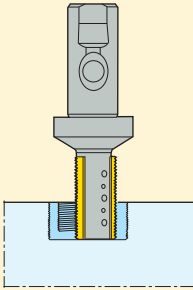

### Code key collet chuck



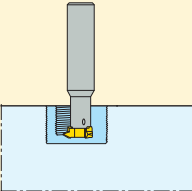
## Application overview, milling cutters – Solid carbide

<p>Threadmaster™</p>  <p>TM - Thread size M1-M20 Solid carbide thread milling cutters</p> <p>Page(s) 143 - 146</p>	
---	--

## Application overview, milling cutters – Cutter with inserts

<p>396.18</p>  <p>Ø 12 mm (396.18)</p> <p>Thread milling cutters with indexable inserts</p> <p>Page(s) 147</p>	<p>396.19</p>  <p>Ø 17-58 mm (396.19)</p> <p>Thread milling cutters with indexable inserts</p> <p>Page(s) 147-148</p>	<p>396.20</p>  <p>Ø 63 mm (396.20)</p> <p>Thread milling cutters with indexable inserts</p> <p>Page(s) 149</p>
--	---	---

## Application overview, milling cutters - Cutter with changeable head

<p>335.14</p>  <p>Ø11,7-27,7 mm</p> <p>Thread milling cutters with changeable head</p> <p>Page(s) 155-156</p>	
--	--

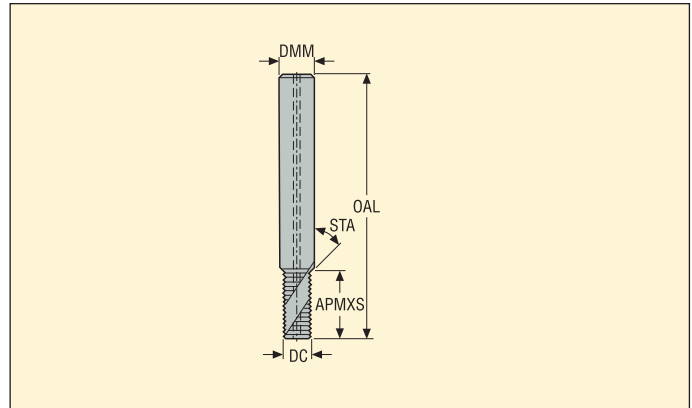


## Threadmaster™

## Solid carbide thread milling cutters



- For cutting data see page(s) 136
- TM; 2 x D
- Chamfer angle STA = 45°



Thread profile	Designation	TDZ	Through coolant	Pitch		Dimensions in mm				NOF
				TPX	TPIX	DC	DMM	OAL	APMXS	
Metric coarse For internal threading	TM-M4X0.7ISO-6R1	M4		0,7	-	3,15	6,0	49,0	8,0	3
	TM-M4X0.7ISO-6R1-900	M4		0,7	-	3,15	6,0	49,0	8,0	3
	TM-M4X0.7ISO-6R1-H	M4		0,7	-	3,15	6,0	46,0	6,3	4
	TM-M5X0.8ISO-6R1	M5		0,8	-	3,95	6,0	49,0	10,0	3
	TM-M5X0.8ISO-6R1-900	M5		0,8	-	3,95	6,0	49,0	10,0	3
	TM-M5X0.8ISO-6R1-H	M5		0,8	-	3,95	6,0	47,0	7,2	4
	TM-M6X1.0ISO-6R1	M6		1,0	-	4,7	6,0	55,0	12,5	3
	TM-M6X1.0ISO-6R1-900	M6		1,0	-	4,7	6,0	55,0	12,5	3
	TM-M6X1.0ISO-6R1-H	M6		1,0	-	4,7	6,0	52,0	8,5	4
	TM-M8X1.25ISO-8R1	M8	■	1,25	-	6,2	8,0	62,0	16,9	3
	TM-M8X1.25ISO-8R1-900	M8	■	1,25	-	6,2	8,0	62,0	16,9	3
	TM-M8X1.25ISO-8R1-H	M8	■	1,25	-	6,2	8,0	57,0	12,5	4
	TM-M10X1.5ISO-10R1	M10	■	1,5	-	7,8	10,0	74,0	20,3	3
	TM-M10X1.5ISO-10R1-900	M10	■	1,5	-	7,8	10,0	74,0	20,3	3
	TM-M10X1.5ISO-10R1-H	M10	■	1,5	-	7,8	10,0	66,0	15,0	5
	TM-M12X1.75ISO-12R1	M12	■	1,75	-	9,4	12,0	79,0	25,4	3
	TM-M12X1.75ISO-12R1-900	M12	■	1,75	-	9,4	12,0	79,0	25,4	3
	TM-M12X1.75ISO-12R1-H	M12	■	1,75	-	9,4	12,0	76,0	17,5	5
TM-M14X2.0ISO-14R1	M14	■	2,0	-	10,9	14,0	89,0	29,0	4	
TM-M14X2.0ISO-14R1-900	M14	■	2,0	-	10,9	14,0	89,0	29,0	4	
TM-M20X2.5ISO-20R1	M20	■	2,5	-	15,83	20,0	108,0	40,0	4	
Metric fine For internal threading	TM-MF4X0.5ISO-6R1	M4		0,5	-	3,15	6,0	49,0	8,3	3
	TM-MF5X0.5ISO-6R1	M5		0,5	-	3,95	6,0	49,0	10,3	3
	TM-MF6X0.75ISO-6R1	M6		0,75	-	4,7	6,0	55,0	12,4	3
	TM-MF10X1.0ISO-10R1	M10	■	1,0	-	7,8	10,0	74,0	20,5	3
	TM-MF12X1.5ISO-12R1	M12	■	1,5	-	9,4	12,0	79,0	24,8	3
	TM-MF12X1.5ISO-12R1-900	M12	■	1,5	-	9,4	12,0	79,0	24,8	3
	TM-MF12X1.5ISO-12R1-H	M12	■	1,5	-	9,4	12,0	76,0	17,9	5
	TM-MF14X1.5ISO-14R1-H	M14	■	1,5	-	10,92	14,0	82,0	21,4	5
	TM-MF16X1.5ISO-16R1-H	M16	■	1,5	-	12,82	16,0	94,0	23,9	5
UNC For internal threading	TM-NR.10X24UNC-6R1	No.10		-	24,0	3,7	6,0	49,0	10,1	3
	TM-1/4X20UNC-6R1	1/4		-	20,0	4,7	6,0	55,0	14,6	3
	TM-5/16X18UNC-8R1	5/16	■	-	18,0	6,2	8,0	62,0	16,2	3
	TM-3/8X16UNC-10R1	3/8	■	-	16,0	7,35	10,0	74,0	19,8	3
	TM-7/16X14UNC-12R1	7/16	■	-	14,0	8,55	12,0	79,0	22,7	3
	TM-1/2X13UNC-12R1	1/2	■	-	13,0	9,4	12,0	79,0	26,4	3
	TM-9/16X12UNC-14R1	9/16	■	-	12,0	10,9	14,0	89,0	30,7	4

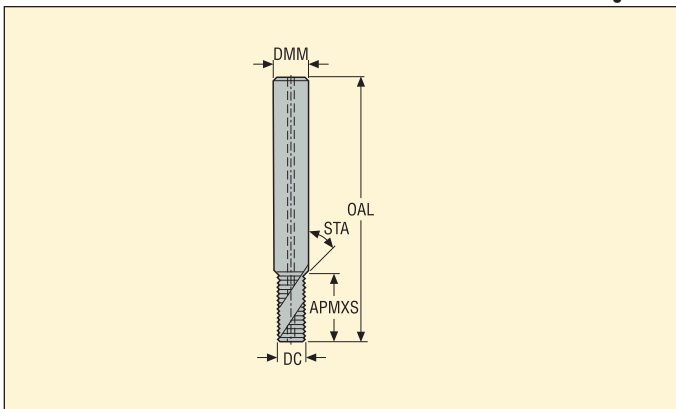
Please check availability in current price and stock-list.

## Threadmaster™

## Solid carbide thread milling cutters



- For cutting data see page(s) 136
- TM; 2 x D
- Chamfer angle STA = 45°

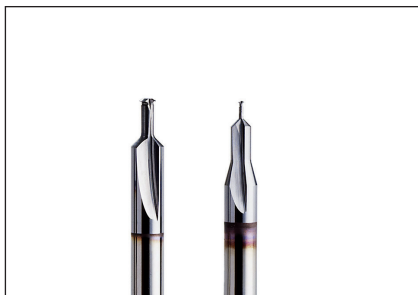


Thread profile	Designation	TDZ	Through coolant	Pitch		Dimensions in mm				NOF
				TPX	TPIX	DC	DMM	OAL	APMXS	
UNF For internal threading	TM-NR.10X32UNF-6R1	No.10		-	32,0	3,95	6,0	49,0	9,9	3
	TM-1/4X28UNF-6R1	1/4		-	28,0	4,7	6,0	55,0	14,1	3
	TM-5/16X24UNF-8R1	5/16	■	-	24,0	6,2	8,0	62,0	16,4	3
	TM-3/8X24UNF-10R1	3/8	■	-	24,0	7,8	10,0	74,0	19,6	3
	TM-7/16X20UNF-12R1	7/16	■	-	20,0	9,3	12,0	79,0	22,2	3
	TM-1/2X20UNF-12R1	1/2	■	-	20,0	9,4	12,0	79,0	26,0	3
	TM-9/16X18UNF-14R1	9/16	■	-	18,0	10,9	14,0	89,0	28,9	4
NPT For internal and external threading										
	TM-1/8X27NPT-12R1	1/8	■	-	27,0	7,8	12,0	70,0	8,9	3
	TM-1/4X18NPT-16R1	1/4	■	-	18,0	10,05	16,0	81,0	13,4	4
	TM-3/8X18NPT-18R1	3/8	■	-	18,0	13,45	18,0	81,0	13,4	4
NPTF For internal and external threading										
	TM-1/8X27NPTF-12R1	1/8	■	-	27,0	7,7	12,0	70,0	8,9	3
	TM-1/4X18NPTF-16R1	1/4	■	-	18,0	10,0	16,0	81,0	13,4	4
	TM-3/8X18NPTF-18R1	3/8	■	-	18,0	13,4	18,0	81,0	13,4	4
BSP For internal and external threading										
	TM-1/8X28W-10R1	1/8	■	-	28,0	7,8	10,0	74,0	20,4	3
	TM-1/4X19W-14R1	1/4	■	-	19,0	10,9	14,0	89,0	27,4	4
	TM-3/8X19W-18R1	3/8	■	-	19,0	13,9	18,0	102,0	35,4	4

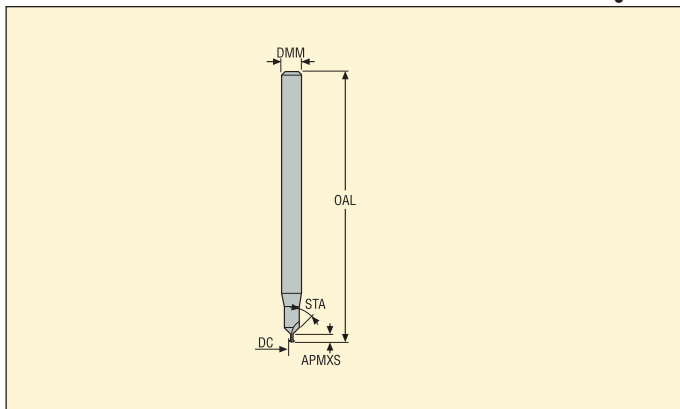
Please check availability in current price and stock-list.

## Threadmaster™ – TM-Mini

## Solid carbide thread milling cutters



- Left-hand cutter
- For cutting data see page(s) 136
- TM; 1.5 x D
- Chamfer angle STA = 45°



Thread profile	Designation	TDZ	Through coolant	Pitch		Dimensions in mm				NOF
				TPX	TPI	DC	DMM	OAL	APMXS	
Metric coarse										
For internal threading	TM-M1.0X0.25ISO-3R1-H	M1.0		0,25	–	0,7	3,0	40,0	2,05	2
	TM-M1.4X0.30ISO-3R1-H	M1.4		0,3	–	0,97	3,0	40,0	2,63	2
	TM-M1.6X0.35ISO-3R1-H	M1.6		0,35	–	1,15	3,0	40,0	3,07	2
	TM-M2.0X0.40ISO-3R1-H	M2.0		0,4	–	1,56	3,0	40,0	3,74	2
	TM-M2.2X0.45ISO-3R1-H	M2.2		0,45	–	1,71	3,0	40,0	3,9	2
	TM-M2.5X0.45ISO-3R1-H	M2.5		0,45	–	2,01	3,0	40,0	4,45	3

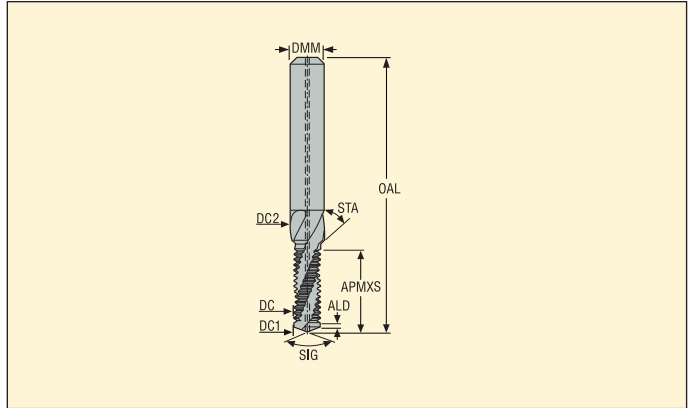
Please check availability in current price and stock-list.

**Drilling Threadmaster™**

**Solid carbide thread milling cutters**



- For cutting data see page(s) 137
- DTM: 2 x D
- Chamfer angle STA = 45°
- Drill Point SIG = 140°



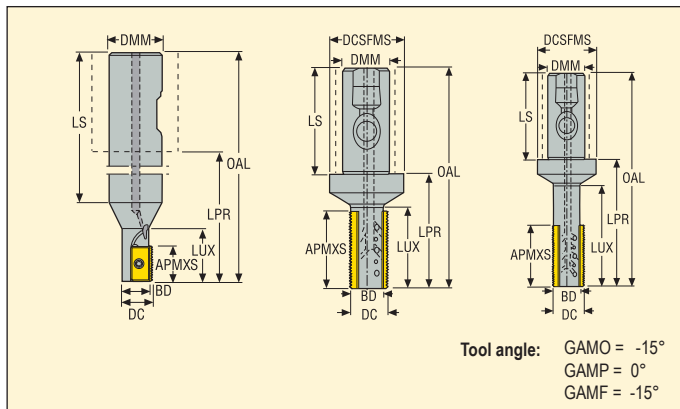
Thread profile	Designation	TDZ	Through coolant	Pitch		Dimensions in mm							NOF
				TPX	TPIX	ALD	DC	DC1	DC2	DMM	OAL	APMXS	
<b>Metric coarse</b>	DTM-M4X0.7ISO-6R1	M4	■	0,7	-	0,7	3,24	3,3	4,3	6,0	49,0	9,42	2
	DTM-M5X0.8ISO-6R1	M5	■	0,8	-	0,8	4,1	4,2	5,3	6,0	55,0	11,65	2
	DTM-M6X1.0ISO-8R1	M6	■	1,0	-	1,0	4,85	5,0	6,3	8,0	62,0	14,49	2
	DTM-M8X1.25ISO-10R1	M8	■	1,25	-	1,2	6,45	6,75	8,3	10,0	74,0	18,17	2
	DTM-M10X1.5ISO-12R1	M10	■	1,5	-	1,5	8,08	8,5	10,3	12,0	79,0	23,37	2
	DTM-M12X1.75ISO-14R1	M12	■	1,75	-	1,5	9,74	10,25	12,3	14,0	89,0	27,06	2
	DTM-M14X2.0ISO-16R1	M14	■	2,0	-	1,5	11,36	12,0	14,3	16,0	102,0	32,77	2
DTM-M16X2.0ISO-18R1	M16	■	2,0	-	1,5	13,28	14,0	16,3	18,0	102,0	37,12	2	
<b>Metric fine</b>	DTM-MF8X1.0ISO-10R1	M8	■	1,0	-	1,0	6,79	7,0	8,3	10,0	74,0	18,8	2
	DTM-MF10X1.0ISO-12R1	M10	■	1,0	-	1,5	8,75	9,0	10,3	12,0	79,0	23,18	2
	DTM-MF12X1.5ISO-14R1	M12	■	1,5	-	1,5	10,06	10,5	12,3	14,0	89,0	28,19	2
<b>UNC</b>	DTM-1/4X20UNC-8R1	1/4	■	-	20,0	1,2	4,7	5,08	6,65	8,0	62,0	15,71	2
	DTM-5/16X18UNC-10R1	5/16	■	-	18,0	1,4	6,01	6,53	8,24	10,0	74,0	19,0	2
	DTM-3/8X16UNC-12R1	3/8	■	-	16,0	1,5	7,36	7,94	9,83	12,0	79,0	22,97	2
	DTM-1/2X13UNC-14R1	1/2	■	-	13,0	1,5	9,87	10,75	13,0	14,0	89,0	30,07	2
<b>UNF</b>	DTM-1/4X28UNF-8R1	1/4	■	-	28,0	0,9	5,17	5,44	6,65	8,0	62,0	15,16	2
	DTM-5/16X24UNF-10R1	5/16	■	-	24,0	1,1	6,51	6,88	8,24	10,0	74,0	18,83	2
	DTM-3/8X24UNF-12R1	3/8	■	-	24,0	1,1	8,07	8,47	9,83	12,0	79,0	21,2	2
	DTM-1/2X20UNF-14R1	1/2	■	-	20,0	1,3	10,88	11,43	13,0	14,0	89,0	28,19	2
<b>BSP</b>	DTM-1/8X28W-12R1	1/8	■	-	28,0	0,9	8,4	8,71	10,03	12,0	79,0	22,03	2
	DTM-1/4X19W-16R1	1/4	■	-	19,0	1,3	11,44	11,67	13,46	16,0	102,0	29,45	2

Please check availability in current price and stock-list.

## R396.18/R396.19



- For cutting data see page(s) 138
- For insert information see page(s) 151-153
- Min thread diameter, see page(s) 150



Designation	Dimensions in mm												Type of mounting	
	DC	BD	DMM	DCS-FMS	OAL	LPR	LUX	LS	AP-MXS					
R396.18-2012.3-13A	12,0	10,0	20,0	—	105,0	38,0	20,0	67,0	13,0	1	0,2	30000	Cyl.-Weldon	13.MS
R396.19-2517.3S-4003-2AM	17,0	13,0	25,0	40,0	116,0	60,0	26,0	56,0	25,0	2	0,5	22400	Seco-Weldon	396.19-4003
R396.19-2522.3S-4003-3AM	22,0	17,6	25,0	40,0	116,0	60,0	43,0	56,0	40,0	3	0,4	20000	Seco-Weldon	396.19-4003
R396.19-2522.3S-4003-3-065AM	22,0	17,6	25,0	40,0	140,0	84,0	65,0	56,0	40,0	3	0,5	20000	Seco-Weldon	396.19-4003
R396.19-2525.3S-4005-2AM	25,0	19,0	25,0	40,0	116,0	60,0	43,0	56,0	40,0	2	0,4	13600	Seco-Weldon	396.19-4005
R396.19-2530.3S-4005-3AM	30,0	23,0	25,0	40,0	116,0	60,0	43,0	56,0	40,0	3	0,5	12000	Seco-Weldon	396.19-4005
R396.19-2530.3S-4005-3-080AM	30,0	22,2	25,0	40,0	154,0	98,0	80,0	56,0	40,0	3	0,6	12000	Seco-Weldon	396.19-4005
R396.19-3232.3S-4003-6AM	32,0	27,4	32,0	50,0	120,0	60,0	43,0	60,0	40,0	6	0,7	16800	Seco-Weldon	396.19-4003
R396.19-3232.3S-4003-3-079AM	32,0	27,4	32,0	50,0	156,0	96,0	79,57	60,0	40,0	3	0,9	20000	Seco-Weldon	396.19-4003
R396.19-3232.3S-4005-3-079AM	32,0	24,2	32,0	50,0	156,0	96,0	79,0	60,0	40,0	3	0,9	11200	Seco-Weldon	396.19-4005
R396.19-3236.3S-4005-6AM	36,0	28,2	32,0	50,0	120,0	60,0	42,0	60,0	40,0	6	0,7	11200	Seco-Weldon	396.19-4005

Min thread diameter, see page(s) 150

**Note!** R396.19-2525.3S-4005-2AM Max pitch size 4,5 ISO/6 TPI can be used.

### Spare Parts, Parts included in delivery

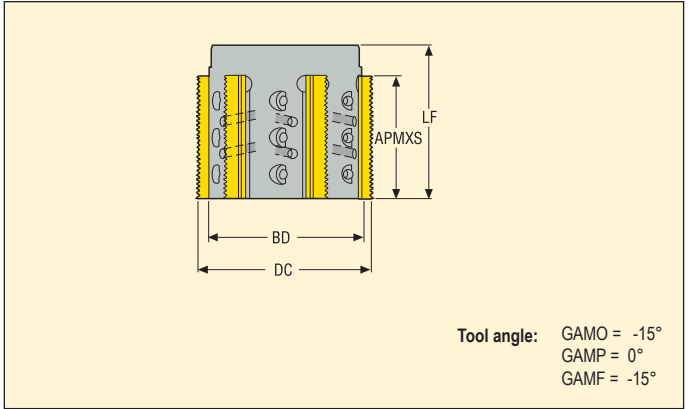
For holder	Key	Insert screw	Insert key	Fastening screw
R396.18	T07P-3	C02506-T07P	—	—
R396.19	—	—	T09P-2	P6SS4X4-T09P

Please check availability in current price and stock-list

**Note!** When milling threads to smaller diameters than indicated for a certain pitch/cutter combination, an incorrect thread form will result.

\*Torque key T00-07P09, T00-09P20.

R396.19



- For cutting data see page(s) 138
- For insert information see page(s) 151-153
- Min thread diameter, see page(s) 150

Designation	Dimensions in mm							
	DC	BD	LF	APMXS				
R396.19-0058-4003-6AM	58,0	53,0	50,0	40,0	6	0,7	8600	396.19-4003
R396.19-0058-4005-6AM	58,0	50,0	50,0	40,0	6	0,6	8600	396.19-4005

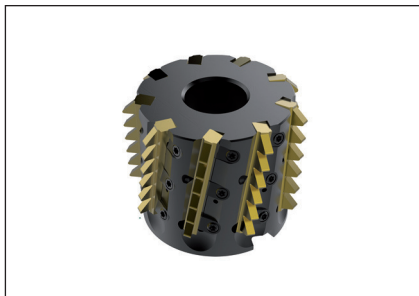
Min thread diameter, see page(s) 150

### Spare Parts, Parts included in delivery

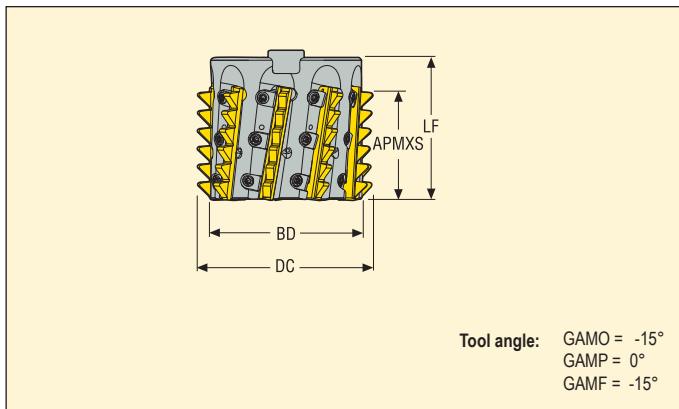
For holder	Insert key	Fastening screw	Arbor screw
...6AM	T09P-2	P6SS4X4-T09P	MC6S12X40

Please check availability in current price and stock-list  
\*Torque values 2 Nm. Torque key, T00-09P20.

## R396.20



- For cutting data see page(s) 138
- For insert information see page(s) 154
- Min thread diameter, see page(s) 150



Designation	Dimensions in mm							
	DC	BD	LF	APMXS				
<u>R396.20-02.478-4005-9AW</u>	63,0	53,5	50,0	40,0	9	0,6	8600	396.20-4005

Min thread diameter, see page(s) 150

### Spare Parts, Parts included in delivery

For holder	Wedge screw	Wedge clamp	Key (T-handle)	Key	Arbor screw
R396.20	LD4012-T08P	CW0405M	DOUBLE-T	H4B-T08P	UC6S1/2UNFX1-1/2

Please check availability in current price and stock-list

\*Torque values 2 Nm. Torque key, T00-09P20.

R396.18/R396.19/R396.20

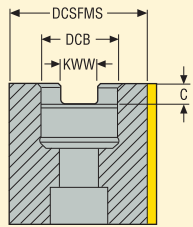
Min thread diameter (major dia), for different pitch and cutter combinations

For cutter	Pitch mm TPI										
	1 24	1,5 16	2 12	2,5 10	3 8	3,5 7	4 6	4,5	5 5	5,5	6 4
R396.18-2012.3-13A	14	15	16	–	–	–	–	–	–	–	–
R396.19-2517.3S-4003-2AM	19	20	21	22	24	–	–	–	–	–	–
R396.19-2522.3S-4003-3AM	24	25	26	27	27	–	–	–	–	–	–
R396.19-2522.3S-4003-3-065AM	24	25	26	27	27	–	–	–	–	–	–
R396.19-3232.3S-4003-6AM	34	35	36	39	40	–	–	–	–	–	–
R396.19-2525.3S-4005-2AM	–	–	–	–	30	33	35	37	–	–	–
R396.19-2530.3S-4005-3AM	–	–	–	–	38	40	42	44	45	47	48
R396.19-2530.3S-4005-3-080AM	–	–	–	–	38	40	42	44	45	47	48
R396.19-3236.3S-4005-6AM	–	–	–	–	43	45	47	47	48	50	53
R396.19-0058-4003-6AM	62	63	65	66	67	–	–	–	–	–	–
R396.19-0058-4005-6AM	–	–	–	–	67	69	70	71	72	73	74
R396.19-3232.3S-4003-3-079AM	34	35	36	39	40	–	–	–	–	–	–
R396.19-3232.3S-4005-3-079AM	–	–	–	–	39	41	43	45	46	48	49
R396.20-02.478-4005-9AW	–	–	–	–	80	–	84	–	–	–	89

Note! When milling threads to smaller diameters than indicated for a certain pitch/cutter combination, an incorrect thread form will result.

### Dimensions of mounting

For cutter	Dimensions in mm					For arbor
	DCB	DCSFMS	KWW	C		
R396.19-0058-4003-6AM	27,0	53,0	12,4	7,0		27
R396.19-0058-4005-6AM	27,0	50,0	12,4	7,0		27
R396.20-02.478-4005-9AW	25,4	53,5	9,7	5,7		25,4





## 13NMS/XMS

Tolerances:  
 INSL =  $\pm 0,012$  mm  
 HC =  $\pm 0,012$  mm  
 S =  $\pm 0,025$  mm

Size	Dimensions in mm	
	INSL	S
13	13,0	2,5

**13NMS/XMS**

Inserts	Designation	Grades				
		CP500				
For internal threading	13NMS1.0ISO	■				
	13NMS1.5ISO	■				
	13NMS2.0ISO	■				
	13NMS24UN	■				
	13NMS20UN	■				
	13NMS16UN	■				
For external and internal threading	13XMS19W	■				
	13XMS14W	■				

■ Stock standard  
 Subject to change refer to current price- and stock-list.

## 396.19-4003

Tolerances:  
 INSL =  $\pm 0,007$  mm  
 HC =  $\pm 0,012$  mm  
 S =  $\pm 0,05$  mm

Size	Dimensions in mm	
	INSL	S
4003	40,0	3,5

### 396.19-4003

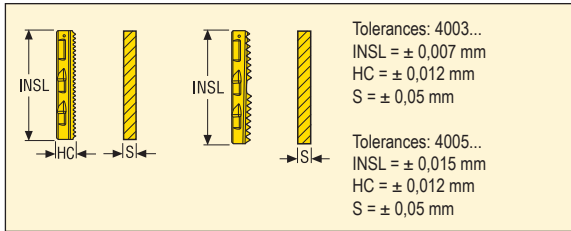


Inserts	Designation	Grades				
		F30M	H15			
For external threading	396.19-4003.0E1.0ISO	■				
	396.19-4003.0E1.5ISO	■				
	396.19-4003.0E2.0ISO	■				
	396.19-4003.0E18UN	■				
	396.19-4003.0E16UN	■				
	396.19-4003.0E14UN	■				
	396.19-4003.0E12UN	■				
For internal threading	396.19-4003.0N1.0ISO	■	■			
	396.19-4003.0N1.5ISO	■	■			
	396.19-4003.0N2.0ISO	■	■			
	396.19-4003.0N2.5ISO	■				
	396.19-4003.0N3.0ISO	■				
	396.19-4003.0N20UN	■				
	396.19-4003.0N18UN	■				
	396.19-4003.0N16UN	■	■			
	396.19-4003.0N14UN	■	■			
	396.19-4003.0N12UN	■	■			
	396.19-4003.0N10UN	■				
	396.19-4003.0N9UN	■				
	396.19-4003.0N8UN	■				
For external and internal threading	396.19-4003.0X16W	■				
	396.19-4003.0X14W	■				
	396.19-4003.0X12W	■				
	396.19-4003.0X11W	■				

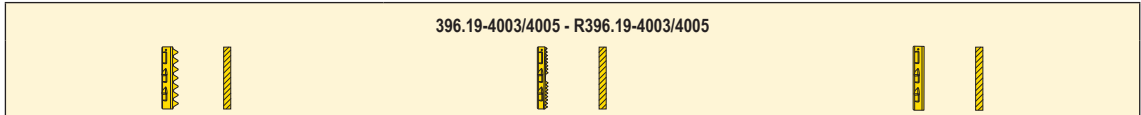
■ Stock standard

Subject to change refer to current price- and stock-list.

## 396.19-4003/4005



Size	Dimensions in mm	
	INSL	S
4003	40,0	3,5
4005	40,0	4,85



Inserts	Designation	Grades				
		F30M	H15			
For internal threading	396.19-4005.0N3.5ISO	■				
	396.19-4005.0N4.0ISO	■				
	396.19-4005.0N4.5ISO	■				
	396.19-4005.0N5.0ISO	■				
	396.19-4005.0N5.5ISO	■				
	396.19-4005.0N6.0ISO	■				
	396.19-4005.0N7UN	■				
	396.19-4005.0N6UN	■				
	396.19-4005.0N5UN	■				
	396.19-4005.0N4.5UN	■				
396.19-4005.0N4UN	■					
For external and internal threading	396.19-4005.0X8W	■				
	R396.19-4003.0X14NPT	■				
	R396.19-4003.0X11.5NPT	■				
	R396.19-4005.0X8NPT	■				
	R396.19-4003.0X14NPTF	■				
	R396.19-4003.0X11.5NPTF	■				
	R396.19-4003.0X14BSPT	■				
	R396.19-4003.0X11BSPT	■				
Non cutting blank	396.19-4003XX		■			
	396.19-4005XX		■			

■ Stock standard  
 Subject to change refer to current price- and stock-list.

## 396.20-4005

Tolerances:  
 INSL =  $\pm 0,007$  mm  
 HC =  $\pm 0,012$  mm  
 S =  $\pm 0,05$  mm

Size	Dimensions in mm	
	INSL	S
4005..ACME	40,0	4,90
4005..BUT	40,0	4,85

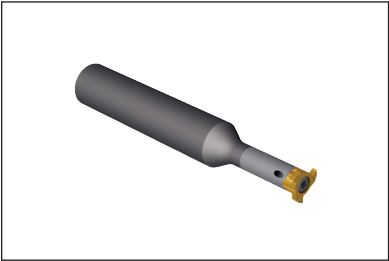
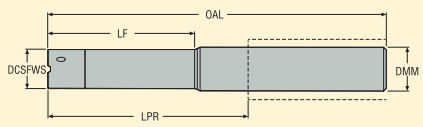
### 396.20



Inserts	Designation	Grades				
		F 30M				
For internal threading	396.20-4005.0N3ACME	■				
	396.20-4005.0N4ACME	■				
	396.20-4005.0N8ACME	■				
	396.20-4005.0N4BUT	■				



■ Stock standard  
 Subject to change refer to current price- and stock-list.

## 335.14 shank - Cylindrical version

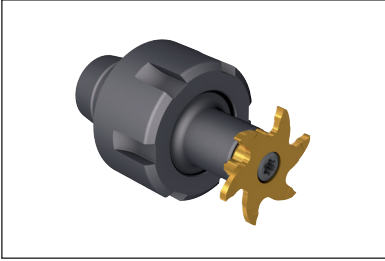
Max RPM = 30 000 rev/min

- Cutting data, see page(s) 139
- Technical information, see page 135
- -E = Carbide shank with DMM tolerance = h6
- Steel shank: DMM tolerance = g6

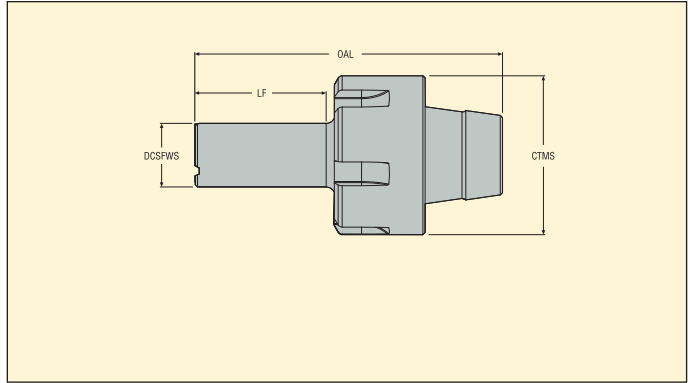
Designation	Dimensions in mm						 KG	Insert
	DCSFWS	DMM	LF	OAL	LPR			
335.14-1006.0-015-060	6,0	10,0	11,5	56,5	16,5	–	0,1	R335.14...06Z..
335.14-1206.0-021-080-E	6,0	12,0	17,5	76,5	31,5	✓	0,1	R335.14...06Z..
335.14-1206.0-030-090-E	6,0	12,0	26,5	86,5	41,5	✓	0,1	R335.14...06Z..
335.14-1206.0-042-100-E	6,0	12,0	38,5	96,5	51,5	✓	0,1	R335.14...06Z..
335.14-1008.0-017-060	8,0	10,0	12,5	55,5	15,5	–	0,1	R335.14...08Z..
335.14-1208.0-029-095-E	8,0	12,0	24,5	90,5	45,5	✓	0,2	R335.14...08Z..
335.14-1208.0-042-110-E	8,0	12,0	37,5	105,5	60,5	✓	0,2	R335.14...08Z..
335.14-1208.0-056-120-E	8,0	12,0	51,5	115,5	70,5	✓	0,2	R335.14...08Z..
335.14-1609.0-018-080	9,0	16,0	12,2	74,2	26,2	✓	0,1	R335.14...09Z..
335.14-1609.0-032-100-E	9,0	16,0	26,2	94,2	46,2	✓	0,2	R335.14...09Z..
335.14-1609.0-045-110-E	9,0	16,0	39,2	104,2	56,2	✓	0,2	R335.14...09Z..
335.14-1609.0-064-130-E	9,0	16,0	58,2	124,2	76,2	✓	0,3	R335.14...09Z..
335.14-1612.0-024-080	12,0	16,0	18,3	74,3	26,3	✓	0,1	R335.14...12Z..
335.14-1612.0-042-100-E	12,0	16,0	36,3	94,3	46,3	✓	0,2	R335.14...12Z..
335.14-1612.0-060-130-E	12,0	16,0	54,3	124,3	76,3	✓	0,3	R335.14...12Z..
335.14-1612.0-085-160-E	12,0	16,0	76,3	154,3	106,3	✓	0,3	R335.14...12Z..
335.14-1614.0-042-100-E	14,0	16,0	35,5	93,5	45,5	✓	0,3	R335.14...14Z..
335.14-1614.0-060-130-E	14,0	16,0	53,5	123,5	75,5	✓	0,3	R335.14...14Z..
335.14-1614.0-085-160-E	14,0	16,0	78,5	153,5	105,5	✓	0,4	R335.14...14Z..
335.14-2014.0-036-100	14,0	20,0	29,2	93,5	43,5	✓	0,2	R335.14...14Z..

Please check availability in current price and stock-list

## 335.14 Shank with ER collet



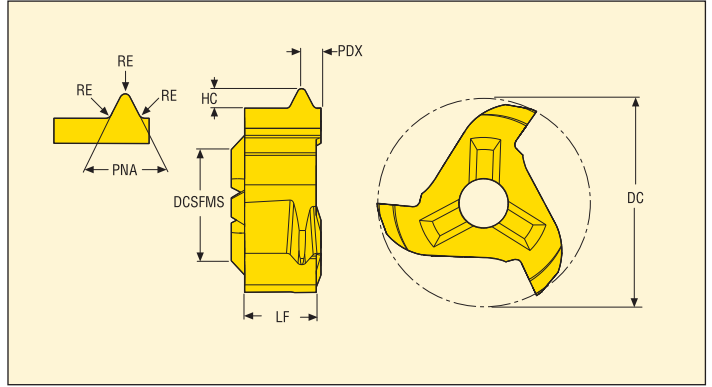
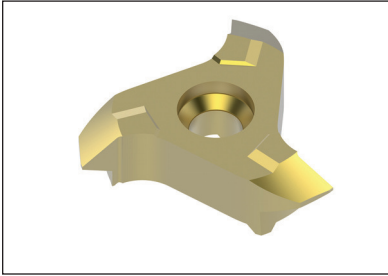
- Cutting data, see page(s) 139
- Technical information, see page 135



Designation	Dimensions in mm						Insert
	DCSFWS	LF	OAL	CTMS			
335.14-ER11-06-016	6,0	12,5	34,9	ER 11	-	0,1	R335.14...06Z..
335.14-ER11-08-016	8,0	11,5	33,8	ER 11	-	0,1	R335.14...08Z..
335.14-ER16-08-022	8,0	17,5	49,6	ER 16	-	0,2	R335.14...08Z..
335.14-ER11-09-022	9,0	16,2	38,5	ER 11	-	0,1	R335.14...09Z..
335.14-ER16-09-022	9,0	16,2	48,3	ER 16	-	0,2	R335.14...09Z..
335.14-ER25-09-022	9,0	16,2	55,3	ER 25	-	0,2	R335.14...09Z..
335.14-ER16-12-030	12,0	24,3	56,4	ER 16	-	0,2	R335.14...12Z..
335.14-ER25-12-030	12,0	24,3	63,4	ER 25	-	0,2	R335.14...12Z..
335.14-ER32-12-030	12,0	24,3	69,4	ER 32	-	0,4	R335.14...12Z..
335.14-ER25-14-019	14,0	12,5	52,3	ER 25	-	0,2	R335.14...14Z..
335.14-ER25-14-035	14,0	28,5	67,6	ER 25	-	0,2	R335.14...14Z..
335.14-ER32-14-019	14,0	12,5	58,3	ER 32	-	0,4	R335.14...14Z..
335.14-ER32-14-035	14,0	28,5	73,6	ER 32	-	0,4	R335.14...14Z..

Please check availability in current price and stock-list

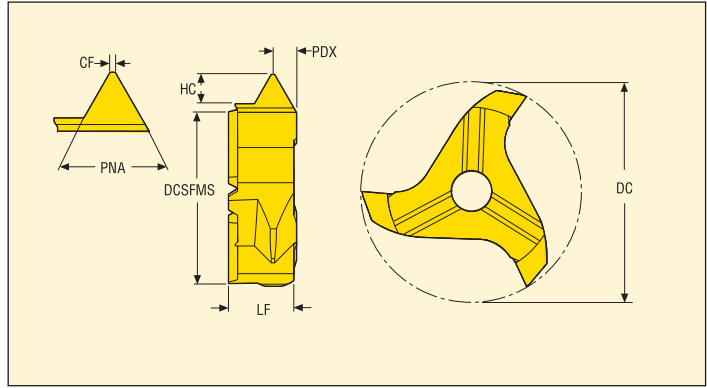
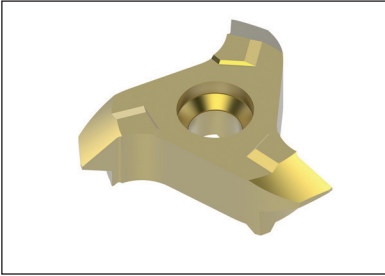
### 335.14 Insert: Thread profile Whitworth – Metric



Designation	Pitch	Dimensions in mm							ZEFP	Grades	
	TPIX	DC	DCSFMS	HC	LF	PDX	PNA	RE		Coated	
										F32M	
R335.14-117W XF11.06Z3	11,0	11,7	6,0	1,48	3,6	1,6	55,0	0,31	3	■	
R335.14-117W XF14.06Z3	14,0	11,7	6,0	1,16	3,6	1,3	55,0	0,24	3	■	
R335.14-117W XF19.06Z3	19,0	11,7	6,0	0,86	3,6	1,1	55,0	0,18	3	■	
R335.14-157W XF14.08Z3	14,0	15,7	8,0	1,17	4,6	1,5	55,0	0,24	3	■	
R335.14-177W XF11.09Z3	11,0	17,7	9,0	1,48	5,85	1,45	55,0	0,31	3	■	
R335.14-177W XF14.09Z3	14,0	17,7	9,0	1,16	5,85	1,25	55,0	0,24	3	■	
R335.14-177W XF19.09Z3	19,0	17,7	9,0	0,856	5,85	0,95	55,0	0,18	3	■	

■ Stock standard  
 Subject to change refer to current price- and stock-list.

## 335.14 Insert: Thread profile Partial Metric – Metric

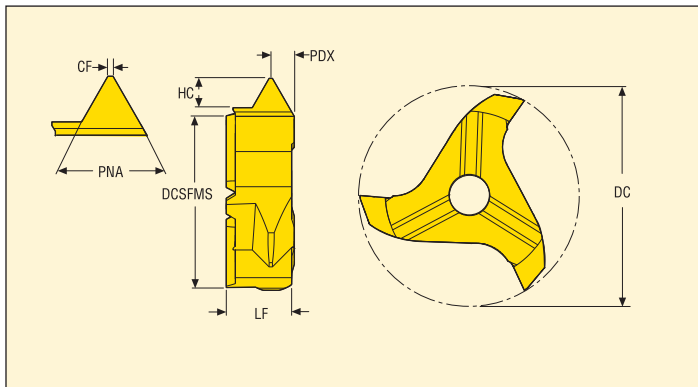
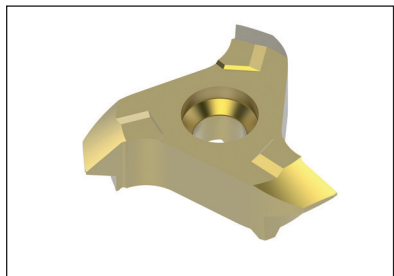


Designation	Pitch		Dimensions in mm								ZEFP	Grades	
	TPN	TPX	DC	DCSFMS	CF	HC	LF	PDX	PNA	Coated			
										F32M			
R335.14-117MNP100200.06Z3	1,0	2,0	11,7	6,0	0,13	1,25	3,6	0,8	60,0	3	■		
R335.14-117MNP200300.06Z3	2,0	3,0	11,7	6,0	0,25	1,78	3,6	1,2	60,0	3	■		
R335.14-157MNP150275.08Z3	1,5	2,75	15,7	8,0	0,19	1,67	4,6	1,1	60,0	3	■		
R335.14-157MNP250300.08Z3	2,5	3,0	15,7	8,0	0,31	1,78	4,6	1,2	60,0	3	■		
R335.14-177MNP100200.09Z3	1,0	2,0	17,7	9,0	0,12	1,19	5,85	1,15	60,0	3	■		
R335.14-177MNP150275.09Z3	1,5	2,75	17,7	9,0	0,19	1,62	5,85	1,25	60,0	3	■		
R335.14-177MNP200375.09Z3	2,0	3,75	17,7	9,0	0,25	2,22	5,85	1,65	60,0	3	■		
R335.14-177MNP300550.09Z3	3,0	5,5	17,7	9,0	0,38	3,25	5,85	2,25	60,0	3	■		
R335.14-217MNP100200.12Z3	1,0	2,0	21,7	12,0	0,12	1,19	5,85	1,25	60,0	3	■		
R335.14-217MNP200375.12Z3	2,0	3,75	21,7	12,0	0,25	2,22	5,85	1,65	60,0	3	■		
R335.14-217MNP250450.12Z3	2,5	4,5	21,7	12,0	0,25	2,7	5,85	2,15	60,0	3	■		
R335.14-217MNP350600.12Z3	3,5	6,0	21,7	12,0	0,44	3,84	5,85	2,65	60,0	3	■		
R335.14-277MNP250500.14Z3	2,5	5,0	27,7	14,0	0,37	2,93	6,6	2,6	60,0	3	■		
R335.14-277MNP400600.14Z3	4,0	6,0	27,7	14,0	0,5	4,6	6,6	3,0	60,0	3	■		

■ Stock standard  
Subject to change refer to current price- and stock-list.



## 335.14 Insert: Thread profile UN – Metric



Designation	Pitch	Dimensions in mm							ZEFP	Grades	
	TPIX	DC	DCSFMS	HC	LF	PDX	PNA	CF		Coated	
										F32M	
R335.14-177UNNF10.09Z3	10,0	17,7	9,0	1,375	5,85	1,25	60,0	0,32	3	■	
R335.14-177UNNF11.09Z3	11,0	17,7	9,0	1,249	5,85	1,05	60,0	0,29	3	■	
R335.14-177UNNF12.09Z3	12,0	17,7	9,0	1,146	5,85	1,05	60,0	0,27	3	■	
R335.14-177UNNF14.09Z3	14,0	17,7	9,0	0,982	5,85	0,85	60,0	0,23	3	■	
R335.14-177UNNF16.09Z3	16,0	17,7	9,0	0,859	5,85	0,85	60,0	0,2	3	■	
R335.14-177UNNF18.09Z3	18,0	17,7	9,0	0,763	5,85	0,85	60,0	0,18	3	■	
R335.14-177UNNF20.09Z3	20,0	17,7	9,0	0,687	5,85	0,65	60,0	0,16	3	■	
R335.14-177UNNF24.09Z3	24,0	17,7	9,0	0,572	5,85	0,65	60,0	0,13	3	■	
R335.14-177UNNF6.09Z3	6,0	17,7	9,0	2,291	5,85	1,65	60,0	0,53	3	■	
R335.14-177UNNF8.09Z3	8,0	17,7	9,0	1,718	5,85	1,45	60,0	0,4	3	■	

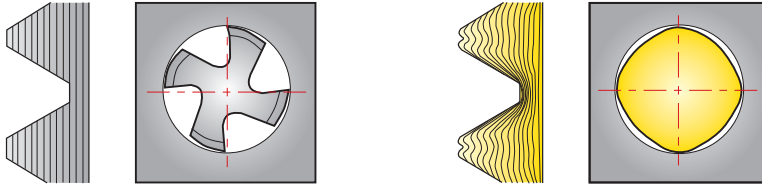
■ Stock standard  
 Subject to change refer to current price- and stock-list.

## Introduction to taps

### What are you looking for in a thread?

#### Cutting a thread vs forming a thread

There are two way of making a thread, cutting or forming. Cutting is to be used in most materials, while forming is to be used in steel, stainless steel and aluminium.



#### Through hole, blind hole

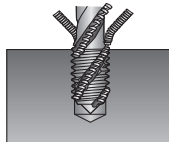
Taps have different designs. Depending on application (through or blind hole).



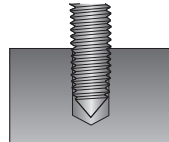
#### Hole size

Dimension of the hole differs between cutting and forming the thread.

**Cutting tap**  
 $D = TD - PTH$

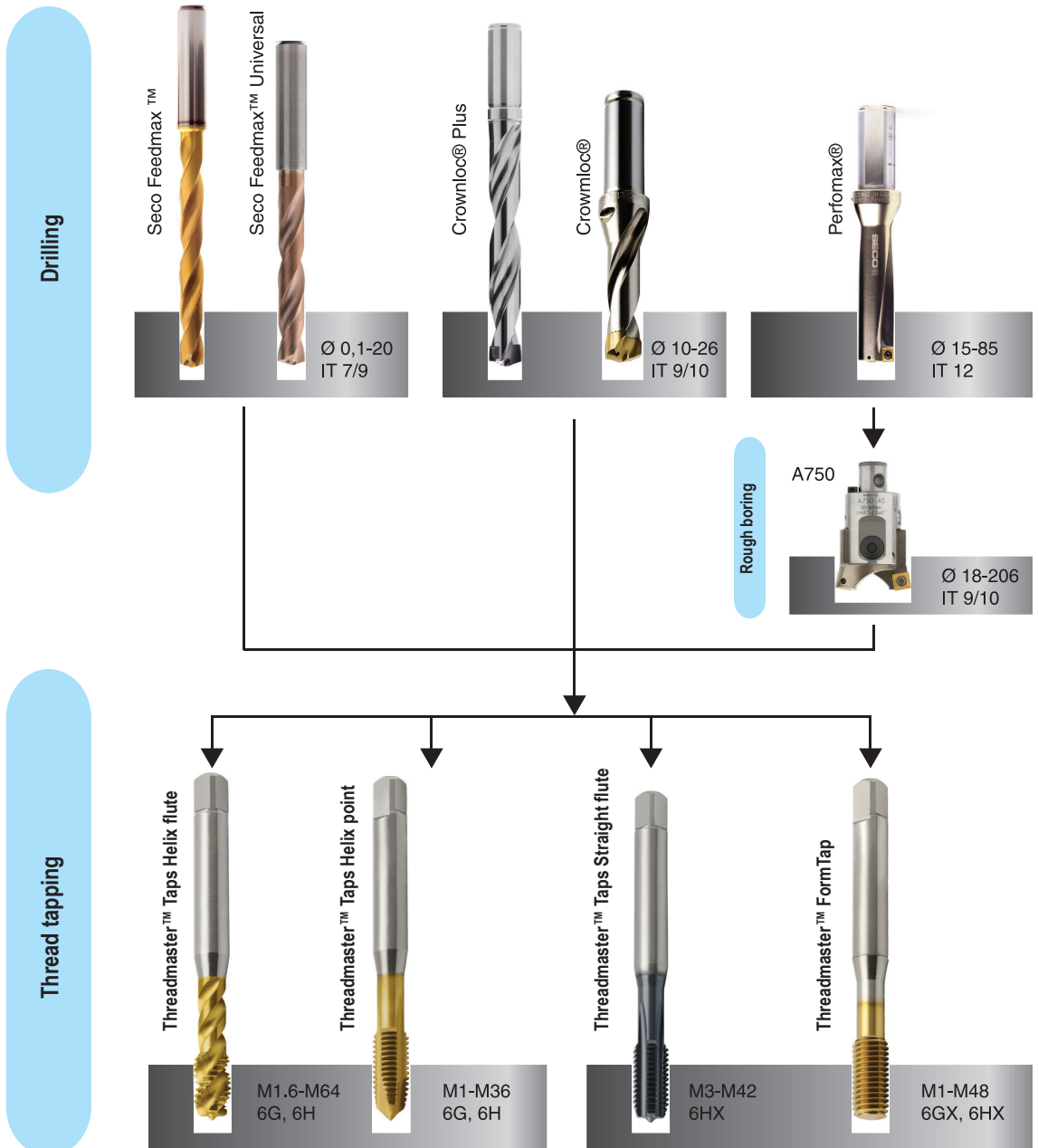


**Forming tap**  
 $D = TD - PTH / 2$   
 $(D = D_{nom} - 0.0068 \times PTH \times 65)$



D = Hole diameter  
 TD = Major thread diameter  
 PTH = Thread pitch

## Introduction to taps – Tool guide



Also other threading profiles are available.

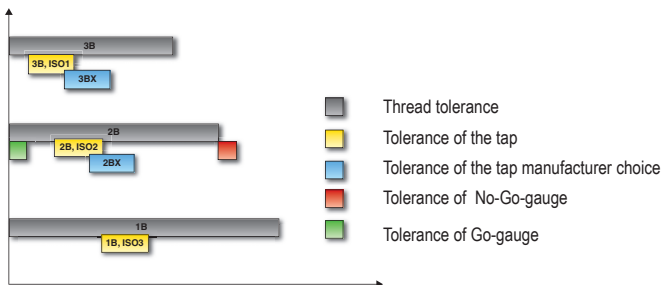
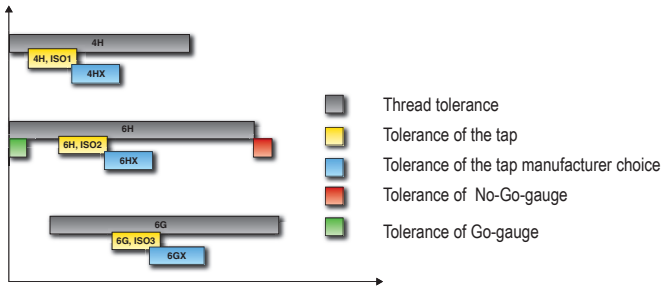
## Taps – Choice of Tap tolerance

The Threadmaster™ Taps from Seco are available for threads with different tolerances 6H and 6G, as well in 6HX and 6GX. Normal standard tolerance is H.

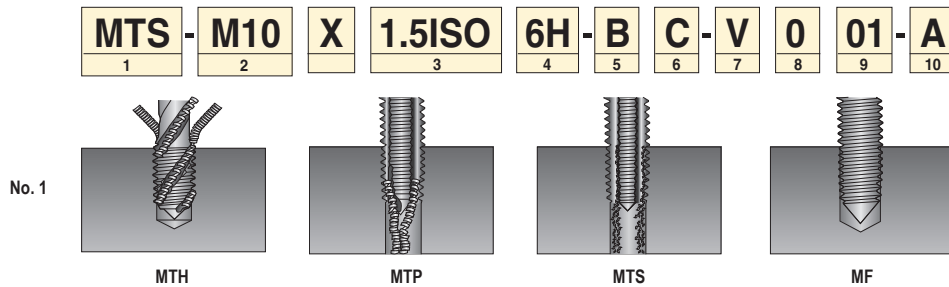
Tolerance GX/HX and BX is to be used when risk of oversize is limited, this also increases tool life of the tap.

Taps for UNC/UNF are designed for tolerance 2B.

Tolerance class for G and NPT/NPTF is normal.



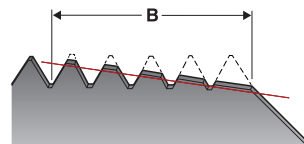
## Code key – Taps



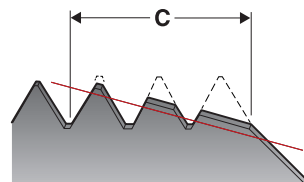
1	<b>Description</b> MTH = Threadmaster™ Tap Helix flute MTP = Threadmaster™ Tap Helix point MTS = Threadmaster™ Tap Straight flute tap MF = Threadmaster™ FormTap
2	<b>Thread type and size</b>
3	<b>Pitch and thread form</b>
4	<b>Tolerance (TCTR) 2BX, 5HX, 6G, 6GX, 6H, 6HX, 2B, Normal</b>
5	<b>Operation, B = Blind hole, T = Through hole, X = Blind and Through hole</b>
6	<b>Entering Chamfer(THCT)</b> B = Entering chamfer 3,5 - 5 threads C = Entering chamfer 2 - 3 threads E = Entering chamfer 1,5 - 2 threads
7	<b>V = Versatile, P = Steel, M = Stainless Steel, K = Cast Iron, N = Non ferrous metals</b>
8	<b>Release No.= 0 (2014)</b>
9	<b>Tool type No. = 01, 02, 03, 04 etc</b>
10	<b>A = Through coolant</b>

## Taps – Entering chamfer

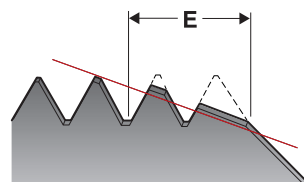
**B-type**      Length 3.5 – 5 threads  
 High torque  
 Best surface finish  
 Thin chip thickness  
 Low pressure at the chamfer  
 Long tool life  
 Most common for through holes (Helix point)

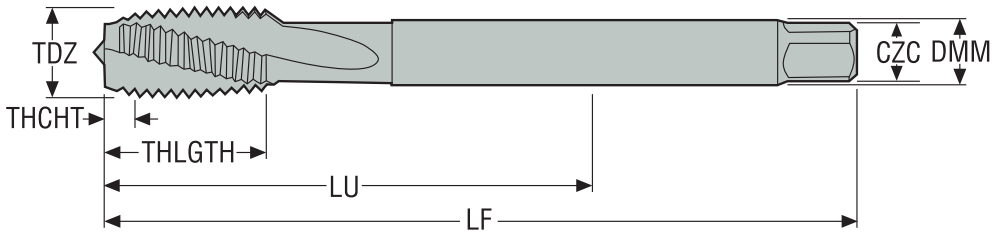


**C-type**      Length 2 - 3 threads  
 Medium torque  
 Good surface finish  
 Normal chip thickness  
 Normal pressure at the chamfer  
 Normal tool life  
 Most common design  
 Standard for blind holes  
 Most common for blind holes (Helix flute)



**E-type**      Length 1.5 – 2 threads  
 Low torque  
 Good surface finish  
 Thick chip thickness  
 High pressure at the chamfer  
 Shorter tool life  
 When limited space in the bottom of a hole





## Definitions Seco Threadmaster™

BSG	= Basic standard group
CZC	= Connection size code
DMM	= Shank diameter
FHA	= Flute helix angle
LF	= Functional length
LU	= Usable length
NOF	= Number of flutes
PHDR	= Recommended premachined hole diameter
PHDX	= Maximum premachined hole diameter
TCTR	= Thread tolerance class
TD	= Thread diameter
TDZ	= Thread diameter size
THCHT	= Thread chamfer type
THFT	= Thread form type ISO, Withworth, UN...
THLGTH	= Thread length
TPIX	= Threads per inch maximum
TTP	= Thread type internal/external/both
TPX	= Thread pitch maximum
ULDR	= Usable length diameter ratio

## Taps - Choice of toolholder

The tool holder choice is made according to the machine spindle, with or without synchronization:

### Modern CNC machine with synchronization:

The modern CNC machines can synchronize the spindle feed rate and rotation in order to make a rigid tapping operation. The EPB 5867 – tapping chucks with micro-compensation is the most suitable for synchronized tapping. Alternative solutions are the Type 5865 or Type 5260.

### EPB 5867 Tapping chucks with micro-compensation, for synchronized tapping:

EPB 5867 for synchronized tapping has a micro-compensation system to avoid the small discrepancies and axial forces during rigid tapping machining. The taps are mounted in specific ER collets with square drive.

**Note:** These ER collets with square drive can also be mounted in ER collet chucks (Type 5675), but then without micro-compensation

EPB 5867



## Troubleshooting

### Oversized thread

**Wrong tap for application**

- Refer to application charts

**Incorrect axial feed**

- Ensure feed rate is controlled
- If possible, use tool holder for synchronized tapping

**Wrong cutting speed**

- Refer to recommendations

**Wrong tolerance**

- Choose tap with lower tolerance



### Undersized thread

**Tap worn out**

- Replace tap

**Tap drill hole too small**

- Check drilling recommendations

**Material closing after tapping**

- Increase drill diameter

**Wrong tolerance on tap**

- Choose tap with higher tolerance



### Chipping

**Wrong tap for the application**

- Check for tool selection

**Incorrect or lack of lubricant**

- Use appropriate emulsion or oil

**Tap hitting bottom of hole**

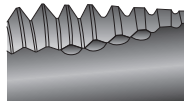
- Increase drill depth or reduce thread depth

**Trapped chip**

- Check tool selection

**Surface hardening in drilled hole**

- Check drilling recommendations



### Breakage

**Too high torque**

- Use tap holder with torque settings

**Tap worn out**

- Replace tap

**Incorrect or lack of lubricant**

- Use appropriate emulsion or oil

**Tap hitting bottom of hole**

- Increase drill depth or reduce thread depth

**Wrong cutting speed**

- Refer to recommendations

**“Birdnest” around tool**

- Check tool selection

**Tap drill hole too small**

- Check drilling recommendations



### Rapid wear

**Wrong type of tap for application**

- Refer to tap choice

**Incorrect or lack of lubricant**

- Use appropriate emulsion or oil

**Too high cutting speed**

- Refer to recommendations

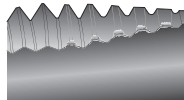
**Work (surface) hardening in drilled hole**

- Check drilling recommendations

- Drill worn out

**Tap drill hole too small**

- Check drilling recommendations



### Built-up edge

**Incorrect or lack of lubricant**

- Use appropriate emulsion or oil

**Tap worn out**

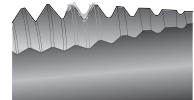
- Replace tap

**Wrong cutting speed**

- Refer to recommendations

**Wrong type of tap for application**

- Refer to tap choice





## Cutting data - Selection, page(s) 167 - 177

Tool type	MTH-P001 30-48 HRC	MTH-P001-A 30-48 HRC	MTH-P002 30-48 HRC	MTH-P002-A 30-48 HRC	MTH-P003	MTH-P003-A	MTH-P004	MTH-P004-A	MTH-P011
Thread type	M	M	M	M	M	M	M	M	MF
TCTR	6H	6H	6H	6H	6HX	6HX	6HX	6HX	6HX
ULDR	1.5	1.5	1.5	1.5	3	3	3	3	3
THCHT	C	C	C	C	C	C	C	C	C
BSG	SECO-DIN	SECO-DIN	DIN376	DIN376	DIN371	DIN371	DIN376	DIN376	DIN374
Thread size	M3 - M10	M4 - M10	M12 - M20	M12 - M20	M1.6 - M10	M4 - M10	M5 - M30	M12 - M30	MF 4X0.5 - MF 30X2.0
FHA	15°	15°	15°	15°	48°	48°	48°	48°	48°
Coolant	No	Yes	No	Yes	No	Yes	No	Yes	No
Page(s)	178	179	180	181	182	183	184	185	186-187

v <sub>c</sub>									
SMG	MTH- P001	MTH- P001	MTH- P002	MTH- P002	MTH- P003	MTH- P003	MTH- P004	MTH- P004	MTH- P011
P1	—	—	—	—	55	55	55	55	55
P2	—	—	—	—	55	55	55	55	55
P3	—	—	—	—	45	45	45	45	45
P4	—	—	—	—	40	40	40	40	40
P5	—	—	—	—	38	38	38	38	38
P6	—	—	—	—	43	43	43	43	43
P7	—	—	—	—	40	40	40	40	40
P8	—	—	—	—	38	38	38	38	38
P11	—	—	—	—	39	39	39	39	39
P12	—	—	—	—	23	23	23	23	23
M1	—	—	—	—	—	—	—	—	—
M2	—	—	—	—	—	—	—	—	—
M3	—	—	—	—	—	—	—	—	—
M4	—	—	—	—	—	—	—	—	—
M5	—	—	—	—	—	—	—	—	—
K1	—	—	—	—	—	—	—	—	—
K2	—	—	—	—	—	—	—	—	—
K3	—	—	—	—	—	—	—	—	—
K4	—	—	—	—	—	—	—	—	—
K5	—	—	—	—	—	—	—	—	—
K6	—	—	—	—	—	—	—	—	—
K7	—	—	—	—	—	—	—	—	—
N1	—	—	—	—	—	—	—	—	—
N2	—	—	—	—	—	—	—	—	—
N3	—	—	—	—	—	—	—	—	—
N11	—	—	—	—	—	—	—	—	—
H5	17	17	17	17	—	—	—	—	—
H8	17	17	17	17	—	—	—	—	—

SMG = Seco Material Group  
v<sub>c</sub> = m/min

Recommended ranges to use for each type of tap:

- K001-K002: +25% / -25%
- V015-V016: +15% / -15%
- V001-V045: +15% / -15%
- V048-V050: +35% / -35%
- V053-V063: +15% / -

Cutting speeds (v<sub>c</sub>) in the table are recommendations for a start value and calculated when running in 2xD, except for V048, V050 that are calculated from 1,5xD.  
When running in 1,5xD increase speed by 20% and at 2,5 x D reduce speed by 20%. At 3 x D reduce by 30%.  
Due to machine, material and setup condition it is advisable also to optimize cutting data.

Tool type	MTP-P001 30-48 HRC	MTP-P002 30-48 HRC	MTP-P003	MTP-P003-A	MTP-P004	MTP-P004-A	MTP-P011
Thread type	M	M	M	M	M	M	MF
TCTR	6H	6H	5HX/6HX	6HX	6HX	6HX	6HX
ULDR	2.5	2.5	3	3	3	3	3
THCHT	B	B	B	B	B	B	B
BSG	SECO-DIN	DIN376	DIN371	DIN371	DIN376	DIN376	DIN374
Thread size	M3 - M10	M12 - M20	M1 - M10	M4 - M10	M4 - M30	M12 - M30	MF 4X0.5 - MF 30X2.0
FHA							
Coolant	No	No	No	Yes	No	Yes	No
Page(s)	188	189	190	191	192	193	194-195

v <sub>c</sub>							
SMG	MTP- P001	MTP- P002	MTP- P003	MTP- P003	MTP- P004	MTP- P004	MTP- P011
P1	—	—	60	60	60	60	60
P2	—	—	60	60	60	60	60
P3	—	—	50	50	50	50	50
P4	—	—	45	45	45	45	45
P5	—	—	43	43	43	43	43
P6	—	—	48	48	48	48	48
P7	—	—	46	46	46	46	46
P8	—	—	43	43	43	43	43
P11	—	—	44	44	44	44	44
P12	—	—	26	26	26	26	26
M1	—	—	—	—	—	—	—
M2	—	—	—	—	—	—	—
M3	—	—	—	—	—	—	—
M4	—	—	—	—	—	—	—
M5	—	—	—	—	—	—	—
K1	—	—	—	—	—	—	—
K2	—	—	—	—	—	—	—
K3	—	—	—	—	—	—	—
K4	—	—	—	—	—	—	—
K5	—	—	—	—	—	—	—
K6	—	—	—	—	—	—	—
K7	—	—	—	—	—	—	—
N1	—	—	—	—	—	—	—
N2	—	—	—	—	—	—	—
N3	—	—	—	—	—	—	—
N11	—	—	—	—	—	—	—
H5	17	17	—	—	—	—	—
H8	17	17	—	—	—	—	—

SMG = Seco Material Group  
v<sub>c</sub> = m/min

Recommended ranges to use for each type of tap:

- S005-S010: +25% / -25%
- S015-S020: +15% / -15%
- V001-V045: +15% / -15%
- V048-V050: +35% / -35%
- V053-V063: +15% / -

Cutting speeds (v<sub>c</sub>) in the table are recommendations for a start value and calculated when running in 2xD, except for V048, V050 that are calculated from 1,5xD.

When running in 1,5xD increase speed by 20% and at 2,5 x D reduce speed by 20%. At 3 x D reduce by 30%. Due to machine, material and setup condition it is advisable also to optimize cutting data.

Tool type	MTH-M003	MTH-M003-A	MTH-M004	MTH-M004-A	MTP-M003	MTP-M003-A	MTP-M004	MTP-M004-A
Thread type	M	M	M	M	M	M	M	M
TCTR	6H	6H	6H	6H	5HX/6H	6H	6H	6H
ULDR	2.5	2.5	2.5	2.5	2.5	2.5	2.5	2.5
THCHT	C	C	C	C	B	B	B	B
BSG	DIN371	DIN371	DIN376	DIN376	DIN371	DIN371	DIN376	DIN376
Thread size	M1.6 - M10	M4 - M10	M12 - M20	M12 - M20	M1 - M10	M4 - M10	M12 - M20	M12 - M24
FHA	48°	48°	48°	48°				
Coolant	No	Yes	No	Yes	No	Yes	No	Yes
Page(s)	196	197	198	199	200	201	202	203

v <sub>c</sub>								
SMG	MTH- M003	MTH- M003	MTH- M004	MTH- M004	MTP- M003	MTP- M003	MTP- M004	MTP- M004
P1	—	—	—	—	—	—	—	—
P2	—	—	—	—	—	—	—	—
P3	—	—	—	—	—	—	—	—
P4	—	—	—	—	—	—	—	—
P5	—	—	—	—	—	—	—	—
P6	—	—	—	—	—	—	—	—
P7	—	—	—	—	—	—	—	—
P8	—	—	—	—	—	—	—	—
P11	—	—	—	—	—	—	—	—
P12	—	—	—	—	—	—	—	—
M1	12	12	12	12	12	12	12	12
M2	10	10	10	10	10	10	10	10
M3	8	8	8	8	8	8	8	8
M4	6	6	6	6	6	6	6	6
M5	5	5	5	5	5	5	5	5
K1	—	—	—	—	—	—	—	—
K2	—	—	—	—	—	—	—	—
K3	—	—	—	—	—	—	—	—
K4	—	—	—	—	—	—	—	—
K5	—	—	—	—	—	—	—	—
K6	—	—	—	—	—	—	—	—
K7	—	—	—	—	—	—	—	—
N1	—	—	—	—	—	—	—	—
N2	—	—	—	—	—	—	—	—
N3	—	—	—	—	—	—	—	—
N11	—	—	—	—	—	—	—	—
H5	—	—	—	—	—	—	—	—
H8	—	—	—	—	—	—	—	—

SMG = Seco Material Group  
v<sub>c</sub> = m/min

Recommended ranges to use for each type of tap:

- S005-S010: +25% / -25%
- S015-S020: +15% / -15%
- V001-V045: +15% / -15%
- V048-V050: +35% / -35%
- V053-V063: +15% / -

Cutting speeds (v<sub>c</sub>) in the table are recommendations for a start value and calculated when running in 2xD, except for V048, V050 that are calculated from 1,5xD.  
When running in 1,5xD increase speed by 20% and at 2,5 x D reduce speed by 20%. At 3 x D reduce by 30%.  
Due to machine, material and setup condition it is advisable also to optimize cutting data.

Tool type	MTS-K001	MTS-K001-A	MTS-K002	MTS-K002-A	MTS-K011	MTS-K021	MTS-K031	MTS-K041
Thread type	M	M	M	M	MF	G	UNC	UNF
TCTR	6HX	6HX	6HX	6HX	6HX	NORMAL	2BX	2BX
ULDR	2	2.5	2	2.5	2 - 2.5	2	2	2
THCHT	C	C/E	C	C/E	C	C	C	C
BSG	DIN371	DIN371	DIN376	DIN376	DIN374	DIN5156	DIN2184-1	DIN2184-1
Thread size	M3 - M10	M4 - M10	M8 - M42	M12 - M42	MF 10X1.0 - MF 20X1.5	G 1/8-28 - G 1-11	UNC 1/4-20 - UNC 7/8-9	UNF 1/4-28 - UNF 7/8-14
FHA	0°	0°	0°	0°	0°	0°	0°	0°
Coolant	No	Yes	No	Yes	No	No	No	No
Page(s)	204	205	206	207	208	209	210	211

v <sub>c</sub>								
SMG	MTS- K001	MTS- K001	MTS- K002	MTS- K002	MTS- K011	MTS- K021	MTS- K031	MTS- K041
P1	—	—	—	—	—	—	—	—
P2	—	—	—	—	—	—	—	—
P3	—	—	—	—	—	—	—	—
P4	—	—	—	—	—	—	—	—
P5	—	—	—	—	—	—	—	—
P6	—	—	—	—	—	—	—	—
P7	—	—	—	—	—	—	—	—
P8	—	—	—	—	—	—	—	—
P11	—	—	—	—	—	—	—	—
P12	—	—	—	—	—	—	—	—
M1	—	—	—	—	—	—	—	—
M2	—	—	—	—	—	—	—	—
M3	—	—	—	—	—	—	—	—
M4	—	—	—	—	—	—	—	—
M5	—	—	—	—	—	—	—	—
K1	36	36	36	36	36	36	36	36
K2	31	31	31	31	31	31	31	31
K3	26	26	26	26	26	26	26	26
K4	25	25	25	25	25	25	25	25
K5	15	15	15	15	15	15	15	15
K6	22	22	22	22	22	22	22	22
K7	19	19	19	19	19	19	19	19
N1	—	—	—	—	—	—	—	—
N2	—	—	—	—	—	—	—	—
N3	—	—	—	—	—	—	—	—
N11	—	—	—	—	—	—	—	—
H5	—	—	—	—	—	—	—	—
H8	—	—	—	—	—	—	—	—

SMG = Seco Material Group  
v<sub>c</sub> = m/min

Recommended ranges to use for each type of tap:

- S005-S010: +25% / -25%
- S015-S020: +15% / -15%
- V001-V045: +15% / -15%
- V048-V050: +35% / -35%
- V053-V063: +15% / -

Cutting speeds (v<sub>c</sub>) in the table are recommendations for a start value and calculated when running in 2xD, except for V048, V050 that are calculated from 1,5xD.

When running in 1,5xD increase speed by 20% and at 2,5 x D reduce speed by 20%. At 3 x D reduce by 30%. Due to machine, material and setup condition it is advisable also to optimize cutting data.

Tool type	MTH-N001	MTH-N002	MTP-N001	MTP-N001-A	MTP-N002	MTP-N002-A
Thread type	M	M	M	M	M	M
TCTR	6H	6H	6H	6H	6H	6H
ULDR	1.5	1.5	3	3	3	3
THCHT	C	C	B	B	B	B
BSG	DIN371	DIN376	DIN371	DIN371	DIN376	DIN376
Thread size	M3 - M10	M12 - M16	M3 - M10	M4 - M10	M12 - M16	M12 - M16
FHA	15°	15°				
Coolant	No	No	No	Yes	No	Yes
Page(s)	212	213	214	215	216	217

v <sub>c</sub>						
SMG	MTH- N001	MTH- N002	MTP- N001	MTP- N001	MTP- N002	MTP- N002
P1	—	—	—	—	—	—
P2	—	—	—	—	—	—
P3	—	—	—	—	—	—
P4	—	—	—	—	—	—
P5	—	—	—	—	—	—
P6	—	—	—	—	—	—
P7	—	—	—	—	—	—
P8	—	—	—	—	—	—
P11	—	—	—	—	—	—
P12	—	—	—	—	—	—
M1	—	—	—	—	—	—
M2	—	—	—	—	—	—
M3	—	—	—	—	—	—
M4	—	—	—	—	—	—
M5	—	—	—	—	—	—
K1	—	—	—	—	—	—
K2	—	—	—	—	—	—
K3	—	—	—	—	—	—
K4	—	—	—	—	—	—
K5	—	—	—	—	—	—
K6	—	—	—	—	—	—
K7	—	—	—	—	—	—
N1	55	55	55	55	55	55
N2	35	35	35	35	35	35
N3	23	23	23	23	23	23
N11	31	31	31	31	31	31
H5	—	—	—	—	—	—
H8	—	—	—	—	—	—

SMG = Seco Material Group  
v<sub>c</sub> = m/min

Recommended ranges to use for each type of tap:

- S005-S010: +25% / -25%
- S015-S020: +15% / -15%
- V001-V045: +15% / -15%
- V048-V050: +35% / -35%
- V053-V063: +15% / -

Cutting speeds (v<sub>c</sub>) in the table are recommendations for a start value and calculated when running in 2xD, except for V048, V050 that are calculated from 1,5xD. When running in 1,5xD increase speed by 20% and at 2,5 x D reduce speed by 20%. At 3 x D reduce by 30%. Due to machine, material and setup condition it is advisable also to optimize cutting data.

Tool type	MF-V053	MF-V054	MF-V055	MF-V056	MF-V057	MF-V058	MF-V059	MF-V060-A	MF-V063	MF-V063-A
Thread type	M	M	M	UNC	UNF	M	G	M	MF	MF
TCTR	6HX	5HX/6HX	6HX	2BX	2BX	6GX	NORMAL-X	6HX	6HX	6HX
ULDR	3	3	3	3	3	3	3	3	3	3
THCHT	E	C	C	C	C	C	C	C	C	C
BSG	DIN2174	DIN2174	DIN2174	DIN2184-1	DIN2184-1	DIN2174	DIN2189	DIN2174	DIN2174	DIN2174
Thread size	M3 - M10	M1 - M2.6	M3 - M48	UNC 4-40 - UNC 1-8	UNF 10-32 - UNF 1-12	M3 - M12	G 1/8-28 - G 5/8-14	M5 - M48	MF 5X0.5 - MF 16X1.5	MF 5X0.5 - MF 16X1.5
FHA										
Coolant	No	No	No	No	No	No	No	Yes	No	Yes
Page(s)	218	219	220	221	222	223	224	225	226	227

$v_c$										
SMG	MF- V053	MF- V054	MF- V055	MF- V056	MF- V057	MF- V058	MF- V059	MF- V060	MF- V063	MF- V063
P1	55	55	55	55	55	55	55	55	55	55
P2	55	55	55	55	55	55	55	55	55	55
P3	48	48	48	48	48	48	48	48	48	48
P4	42	42	42	42	42	42	42	42	42	42
P5	40	40	40	40	40	40	40	40	40	40
P6	45	45	45	45	45	45	45	45	45	45
P7	42	42	42	42	42	42	42	42	42	42
P8	40	40	40	40	40	40	40	40	40	40
P11	41	41	41	41	41	41	41	41	41	41
P12	24	24	24	24	24	24	24	24	24	24
M1	17	17	17	17	17	17	17	17	17	17
M2	14	14	14	14	14	14	14	14	14	14
M3	11	11	11	11	11	11	11	11	11	11
M4	8	8	8	8	8	8	8	8	8	8
M5	7	7	7	7	7	7	7	7	7	7
K1	—	—	—	—	—	—	—	—	—	—
K2	—	—	—	—	—	—	—	—	—	—
K3	—	—	—	—	—	—	—	—	—	—
K4	—	—	—	—	—	—	—	—	—	—
K5	—	—	—	—	—	—	—	—	—	—
K6	—	—	—	—	—	—	—	—	—	—
K7	—	—	—	—	—	—	—	—	—	—
N1	50	55	55	55	55	55	55	55	55	55
N2	32	35	35	35	35	35	35	35	35	35
N3	21	23	23	23	23	23	23	23	23	23
N11	28	31	31	31	31	31	31	31	31	31
H5	—	—	—	—	—	—	—	—	—	—
H8	—	—	—	—	—	—	—	—	—	—

SMG = Seco Material Group  
 $v_c$  = m/min

Recommended ranges to use for each type of tap:  
 S005-S010: +25% / -25%  
 S015-S020: +15% / -15%  
 V001-V045: +15% / -15%  
 V048-V050: +35% / -35%  
 V053-V063: +15% / -

Cutting speeds ( $v_c$ ) in the table are recommendations for a start value and calculated when running in 2xD, except for V048, V050 that are calculated from 1,5xD.  
 When running in 1,5xD increase speed by 20% and at 2,5 x D reduce speed by 20%. At 3 x D reduce by 30%.  
 Due to machine, material and setup condition it is advisable also to optimize cutting data.

Tool type	MTH-V011	MTH-V015	MTH-V016	MTH-V025	MTH-V026	MTH-V028	MTH-V029	MTH-V030	MTH-V030-A
Thread type	MF	M	M	M	M	M	M	M	M
TCTR	6HX	6H	6H	6H	6H	6G	6G	6H	6H
ULDR	2	2	2	3	3	3	3	2.5	2.5
THCHT	C	C	C	C	C	C	C	C	C
BSG	DIN374	DIN371	DIN376	DIN371	DIN376	DIN371	DIN376	DIN371	DIN371
Thread size	MF 8X0.75 - MF 24X2.0	M3 - M10	M12 - M36	M3 - M10	M12 - M20	M3 - M10	M12 - M20	M2 - M10	M4 - M10
FHA	15°	15°	15°	45°	45°	45°	45°	45°	45°
Coolant	No	No	No	No	No	No	No	No	Yes
Page(s)	228	229	230	231	232	233	234	235	236

v <sub>c</sub>									
SMG	MTH- V011	MTH- V015	MTH- V016	MTH- V025	MTH- V026	MTH- V028	MTH- V029	MTH- V030	MTH- V030
P1	40	40	40	40	40	40	40	40	40
P2	39	39	39	39	39	39	39	39	39
P3	33	33	33	33	33	33	33	33	33
P4	29	29	29	29	29	29	29	29	29
P5	28	28	28	28	28	28	28	28	28
P6	31	31	31	31	31	31	31	31	31
P7	30	30	30	30	30	30	30	30	30
P8	28	28	28	28	28	28	28	28	28
P11	29	29	29	29	29	29	29	29	29
P12	17	17	17	17	17	17	17	17	17
M1	9	9	9	9	9	9	9	9	9
M2	7	7	7	7	7	7	7	7	7
M3	5	5	5	5	5	5	5	5	5
M4	4	4	4	4	4	4	4	4	4
M5	3	3	3	3	3	3	3	3	3
K1	—	—	—	—	—	—	—	—	—
K2	—	—	—	—	—	—	—	—	—
K3	—	—	—	—	—	—	—	—	—
K4	—	—	—	—	—	—	—	—	—
K5	—	—	—	—	—	—	—	—	—
K6	—	—	—	—	—	—	—	—	—
K7	—	—	—	—	—	—	—	—	—
N1	37	37	37	37	37	37	37	37	37
N2	24	24	24	24	24	24	24	24	24
N3	16	16	16	16	16	16	16	16	16
N11	21	21	21	21	21	21	21	21	21
H5	—	—	—	—	—	—	—	—	—
H8	—	—	—	—	—	—	—	—	—








SMG = Seco Material Group  
v<sub>c</sub> = m/min

Recommended ranges to use for each type of tap:

- S005-S010: +25% / -25%
- S015-S020: +15% / -15%
- V001-V045: +15% / -15%
- V048-V050: +35% / -35%
- V053-V063: +15% / -

Cutting speeds (v<sub>c</sub>) in the table are recommendations for a start value and calculated when running in 2xD, except for V048, V050 that are calculated from 1,5xD.

When running in 1,5xD increase speed by 20% and at 2,5 x D reduce speed by 20%. At 3 x D reduce by 30%. Due to machine, material and setup condition it is advisable also to optimize cutting data.

Tool type	MTH-V033	MTH-V033-A	MTH-V038	MTH-V038-A	MTH-V040	MTH-V043	MTH-V045
Thread type	M	M	MF	MF	UNC	UNF	G
TCTR	6H	6H	6H	6H	2B	2B	NORMAL
ULDR	2.5	2.5	2.5	2.5	2.5	2.5	2.5
THCHT	C	C	C	C	C	C	C
BSG	DIN376	DIN376	DIN374	DIN374	DIN2184-1	DIN2184-1	DIN5156
Thread size	M6 - M64	M12 - M64	MF 4X0.5 - MF 30X2.0	MF 6X0.75 - MF 30X2.0	UNC 4-40 - UNC 5/8-11	UNF 8-36 - UNF 1-12	G 1/8-28 - G11/2-11
FHA	45°	45°	45°	45°	45°	45°	45°
							
Coolant	No	Yes	No	Yes	No	No	No
Page(s)	237	238	239-240	241-242	243	244	245

v <sub>c</sub>							
SMG	MTH- V033	MTH- V033	MTH- V038	MTH- V038	MTH- V040	MTH- V043	MTH- V045
P1	40	40	40	40	40	40	40
P2	39	39	39	39	39	39	39
P3	33	33	33	33	33	33	33
P4	29	29	29	29	29	29	29
P5	28	28	28	28	28	28	28
P6	31	31	31	31	31	31	31
P7	30	30	30	30	30	30	30
P8	28	28	28	28	28	28	28
P11	29	29	29	29	29	29	29
P12	17	17	17	17	17	17	17
M1	9	9	9	9	9	9	9
M2	7	7	7	7	7	7	7
M3	5	5	5	5	5	5	5
M4	4	4	4	4	4	4	4
M5	3	3	3	3	3	3	3
K1	—	—	—	—	—	—	—
K2	—	—	—	—	—	—	—
K3	—	—	—	—	—	—	—
K4	—	—	—	—	—	—	—
K5	—	—	—	—	—	—	—
K6	—	—	—	—	—	—	—
K7	—	—	—	—	—	—	—
N1	37	37	37	37	37	37	37
N2	24	24	24	24	24	24	24
N3	16	16	16	16	16	16	16
N11	21	21	21	21	21	21	21
H5	—	—	—	—	—	—	—
H8	—	—	—	—	—	—	—









SMG = Seco Material Group  
v<sub>c</sub> = m/min

Cutting speeds (v<sub>c</sub>) in the table are recommendations for a start value and calculated when running in 2xD, except for V048, V050 that are calculated from 1,5xD.  
When running in 1,5xD increase speed by 20% and at 2,5 x D reduce speed by 20%. At 3 x D reduce by 30%.  
Due to machine, material and setup condition it is advisable also to optimize cutting data.

Recommended ranges to use for each type of tap:

- S005-S010: +25% / -25%
- S015-S020: +15% / -15%
- V001-V045: +15% / -15%
- V048-V050: +35% / -35%
- V053-V063: +15% / -



Tool type	MTP-V001	MTP-V002	MTP-V005	MTP-V006	MTP-V007	MTP-V007-A	MTP-V008	MTP-V008-A
Thread type	M	M	M	M	M	M	M	M
TCTR	6H	6H	6G	6G	6H	6H	6H	6H
ULDR	3	3	2.5	2.5	2.5	2.5	2.5	2.5
THCHT	B	B	B	B	B	B	B	B
BSG	DIN371	DIN376	DIN371	DIN376	DIN371	DIN371	DIN376	DIN376
Thread size	M3 - M10	M12 - M20	M3 - M10	M12 - M20	M2 - M10	M4 - M10	M3 - M36	M12 - M36
FHA								
								
Coolant	No	No	No	No	No	Yes	No	Yes
Page(s)	246	247	248	249	250	251	252	253

v <sub>c</sub>							
SMG	MTH- V033	MTH- V033	MTH- V038	MTH- V038	MTH- V040	MTH- V043	MTH- V045
P1	40	40	40	40	40	40	40
P2	39	39	39	39	39	39	39
P3	33	33	33	33	33	33	33
P4	29	29	29	29	29	29	29
P5	28	28	28	28	28	28	28
P6	31	31	31	31	31	31	31
P7	30	30	30	30	30	30	30
P8	28	28	28	28	28	28	28
P11	29	29	29	29	29	29	29
P12	17	17	17	17	17	17	17
M1	9	9	9	9	9	9	9
M2	7	7	7	7	7	7	7
M3	5	5	5	5	5	5	5
M4	4	4	4	4	4	4	4
M5	3	3	3	3	3	3	3
K1	—	—	—	—	—	—	—
K2	—	—	—	—	—	—	—
K3	—	—	—	—	—	—	—
K4	—	—	—	—	—	—	—
K5	—	—	—	—	—	—	—
K6	—	—	—	—	—	—	—
K7	—	—	—	—	—	—	—
N1	37	37	37	37	37	37	37
N2	24	24	24	24	24	24	24
N3	16	16	16	16	16	16	16
N11	21	21	21	21	21	21	21
H5	—	—	—	—	—	—	—
H8	—	—	—	—	—	—	—






SMG = Seco Material Group  
v<sub>c</sub> = m/min

Recommended ranges to use for each type of tap:

- S005-S010: +25% / -25%
- S015-S020: +15% / -15%
- V001-V045: +15% / -15%
- V048-V050: +35% / -35%
- V053-V063: +15% / -

Cutting speeds (v<sub>c</sub>) in the table are recommendations for a start value and calculated when running in 2xD, except for V048, V050 that are calculated from 1,5xD.

When running in 1,5xD increase speed by 20% and at 2,5 x D reduce speed by 20%. At 3 x D reduce by 30%. Due to machine, material and setup condition it is advisable also to optimize cutting data.

Tool type	MTP-V014	MTP-V014-A	MTP-V017	MTP-V020	MTP-V023
Thread type	MF	MF	UNC	UNF	G
TCTR	6H	6H	2B	2B	NORMAL
ULDR	2.5	2.5	2.5	2.5	2.5
THCHT	B	B	B	B	B
BSG	DIN374	DIN374	DIN2184-1	DIN2184-1	DIN5156
Thread size	MF 4X0.5 - MF 30X2.0	MF 6X0.75 - MF 24X2.0	UNC 4-40 - UNC 5/8-11	UNF 8-36 - UNF 5/8-18	G 1/8-28 - G 5/8-14
FHA					
					
Coolant	No	Yes	No	No	No
Page(s)	254-255	256	257	258	259

$v_c$					
SMG	MTP- V014	MTP- V014	MTP- V017	MTP- V020	MTP- V023
P1	40	40	40	40	40
P2	39	39	39	39	39
P3	33	33	33	33	33
P4	29	29	29	29	29
P5	28	28	28	28	28
P6	31	31	31	31	31
P7	30	30	30	30	30
P8	28	28	28	28	28
P11	29	29	29	29	29
P12	17	17	17	17	17
M1	9	9	9	9	9
M2	7	7	7	7	7
M3	5	5	5	5	5
M4	4	4	4	4	4
M5	3	3	3	3	3
K1	—	—	—	—	—
K2	—	—	—	—	—
K3	—	—	—	—	—
K4	—	—	—	—	—
K5	—	—	—	—	—
K6	—	—	—	—	—
K7	—	—	—	—	—
N1	37	37	37	37	37
N2	24	24	24	24	24
N3	16	16	16	16	16
N11	21	21	21	21	21
H5	—	—	—	—	—
H8	—	—	—	—	—



SMG = Seco Material Group  
 $v_c$  = m/min

Recommended ranges to use for each type of tap:

- S005-S010: +25% / -25%
- S015-S020: +15% / -15%
- V001-V045: +15% / -15%
- V048-V050: +35% / -35%
- V053-V063: +15% / -

Cutting speeds ( $v_c$ ) in the table are recommendations for a start value and calculated when running in 2xD, except for V048, V050 that are calculated from 1,5xD.

When running in 1,5xD increase speed by 20% and at 2,5 x D reduce speed by 20%. At 3 x D reduce by 30%. Due to machine, material and setup condition it is advisable also to optimize cutting data.

Tool type	MTH-V048	MTH-V050
Thread type	NPT	NPTF
TCTR	NORMAL	NORMAL
ULDR	1.5	1.5
THCHT	C	C
BSG	DIN/ANSI	DIN/ANSI
Thread size	NPT 1/16-27 NPT 1-11.5	NPTF 1/16-27 NPTF 3/4-14
FHA	15°	15°
		
Coolant	No	No
Page(s)	260	261

v <sub>c</sub>		
SMG	MTH- V048	MTH- V050
P1	11	11
P2	11	11
P3	10	10
P4	8	8
P5	8	8
P6	9	9
P7	8	8
P8	8	8
P11	8	8
P12	5	5
M1	9	9
M2	7	7
M3	5	5
M4	4	4
M5	3	3
K1	14	14
K2	12	12
K3	10	10
K4	10	10
K5	6	6
K6	9	9
K7	8	8
N1	23	23
N2	15	15
N3	10	10
N11	13	13
H5	—	—
H8	—	—

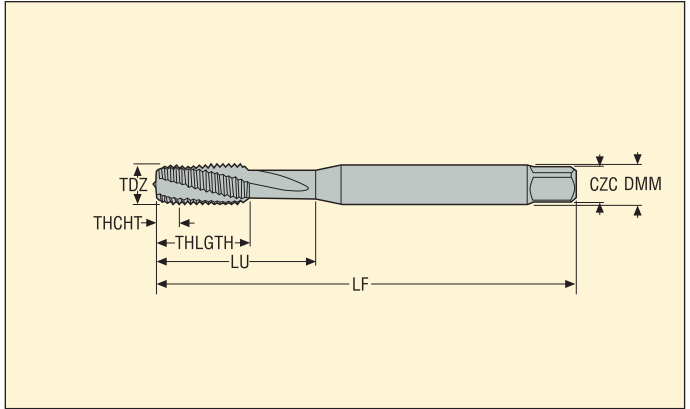
SMG = Seco Material Group  
v<sub>c</sub> = m/min

Recommended ranges to use for each type of tap:

- S005-S010: +25% / -25%
- S015-S020: +15% / -15%
- V001-V045: +15% / -15%
- V048-V050: +35% / -35%
- V053-V063: +15% / -

Cutting speeds (v<sub>c</sub>) in the table are recommendations for a start value and calculated when running in 2xD, except for V048, V050 that are calculated from 1,5xD. When running in 1,5xD increase speed by 20% and at 2,5 x D reduce speed by 20%. At 3 x D reduce by 30%. Due to machine, material and setup condition it is advisable also to optimize cutting data.

## MTH-P001

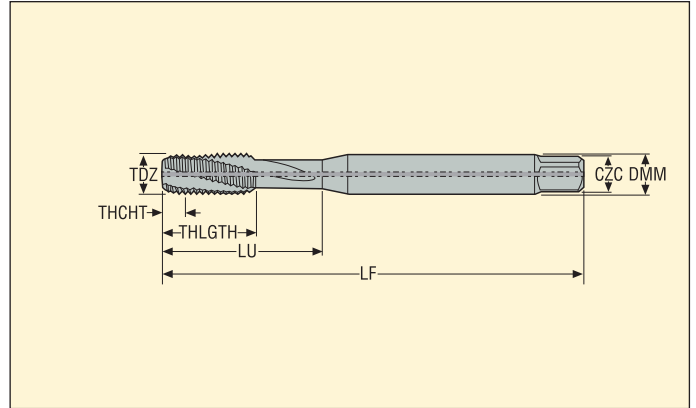


- For cutting data see page(s) 167
- Coating: TiAlN
- Substrate: HSS-E-PM

Designation	TDZ	Pitch		Dimensions in mm					NOF	PHDR	BSG	TCTR	THCHT
		mm	TPI	DMM	LU	THLGTH	LF	CZC					
MTH-M3X0.50ISO6H-BC-P001	M3	0,50	-	4,5	12,0	12,0	63,0	4.50X3.40	3	2,5	SECO-DIN	6H	C
MTH-M4X0.70ISO6H-BC-P001	M4	0,70	-	6,0	13,0	13,0	70,0	6.00X4.90	3	3,4	SECO-DIN	6H	C
MTH-M5X0.80ISO6H-BC-P001	M5	0,80	-	6,0	15,0	15,0	80,0	6.00X4.90	3	4,3	SECO-DIN	6H	C
MTH-M6X1.00ISO6H-BC-P001	M6	1,00	-	8,0	18,0	18,0	90,0	8.00X6.20	3	5,1	SECO-DIN	6H	C
MTH-M8X1.25ISO6H-BC-P001	M8	1,25	-	10,0	20,0	20,0	100,0	10.00X8.00	3	6,8	SECO-DIN	6H	C
MTH-M10X1.50ISO6H-BC-P001	M10	1,50	-	10,0	39,0	20,0	100,0	10.00X8.00	3	8,6	SECO-DIN	6H	C

Please check availability in current price and stock-list

## MTH-P001-A



- For cutting data see page(s) 167
- Coating: TiAlN
- Substrate: HSS-E-PM
- Internal coolant

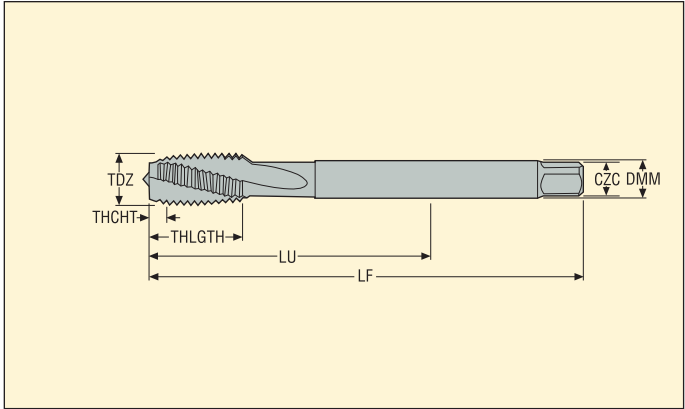
Designation	TDZ	Pitch		Dimensions in mm					NOF	PHDR	BSG	TCTR	THCHT
		mm	TPI	DMM	LU	THLGTH	LF	CZC					
MTH-M4X0.70ISO6H-BC-P001-A	M4	0,70	-	6,0	13,0	13,0	70,0	6.00X4.90	3	3,4	SECO-DIN	6H	C
MTH-M5X0.80ISO6H-BC-P001-A	M5	0,80	-	6,0	15,0	15,0	80,0	6.00X4.90	3	4,3	SECO-DIN	6H	C
MTH-M6X1.00ISO6H-BC-P001-A	M6	1,00	-	8,0	18,0	18,0	90,0	8.00X6.20	3	5,1	SECO-DIN	6H	C
MTH-M8X1.25ISO6H-BC-P001-A	M8	1,25	-	10,0	20,0	20,0	100,0	10.00X8.00	3	6,8	SECO-DIN	6H	C
MTH-M10X1.50ISO6H-BC-P001-A	M10	1,50	-	10,0	39,0	20,0	100,0	10.00X8.00	3	8,6	SECO-DIN	6H	C

Please check availability in current price and stock-list

## MTH-P002



- For cutting data see page(s) 167
- Coating: TiAlN
- Substrate: HSS-E-PM



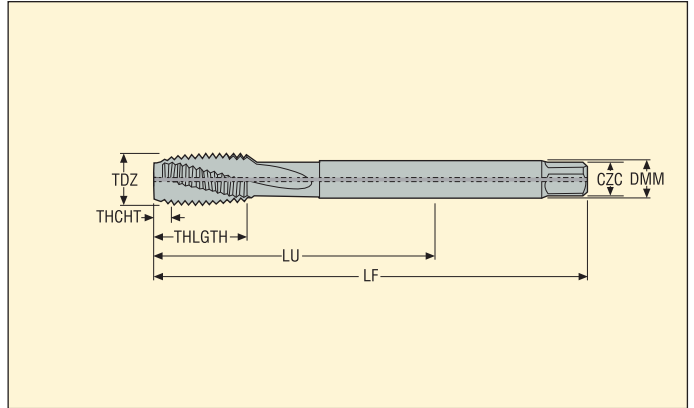
Designation	TDZ	Pitch		Dimensions in mm					NOF	PHDR	BSG	TCTR	THCHT
		mm	TPI	DMM	LU	THLGTH	LF	CZC					
MTH-M12X1.75ISO6H-BC-P002	M12	1,75	-	9,0	83,0	23,0	110,0	9.00X7.00	4	10,4	DIN376	6H	C
MTH-M14X2.00ISO6H-BC-P002	M14	2,00	-	11,0	81,0	25,0	110,0	11.00X9.00	4	12,1	DIN376	6H	C
MTH-M16X2.00ISO6H-BC-P002	M16	2,00	-	12,0	68,0	25,0	110,0	12.00X9.00	4	14,1	DIN376	6H	C
MTH-M18X2.50ISO6H-BC-P002	M18	2,50	-	14,0	81,0	30,0	125,0	14.00X11.00	4	15,7	DIN376	6H	C
MTH-M20X2.50ISO6H-BC-P002	M20	2,50	-	16,0	95,0	30,0	140,0	16.00X12.00	4	17,7	DIN376	6H	C

Please check availability in current price and stock-list

## MTH-P002-A



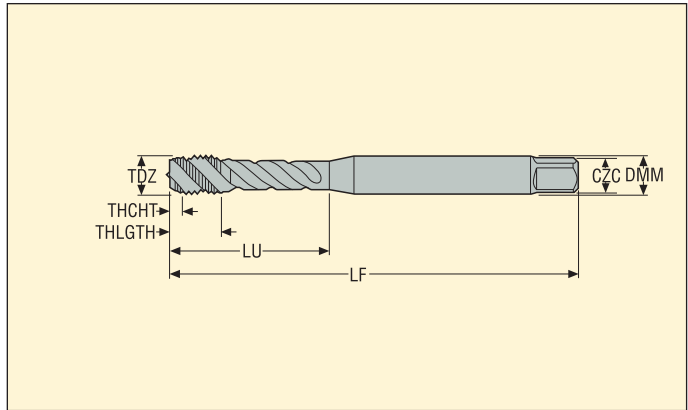
- For cutting data see page(s) 167
- Coating: TiAlN
- Substrate: HSS-E-PM
- Internal coolant



Designation	TDZ	Pitch		Dimensions in mm					NOF	PHDR	BSG	TCTR	THCHT
		mm	TPI	DMM	LU	THLGTH	LF	CZC					
MTH-M12X1.75ISO6H-BC-P002-A	M12	1,75	—	9,0	83,0	23,0	110,0	9.00X7.00	4	10,4	DIN376	6H	C
MTH-M14X2.00ISO6H-BC-P002-A	M14	2,00	—	11,0	81,0	25,0	110,0	11.00X9.00	4	12,1	DIN376	6H	C
MTH-M16X2.00ISO6H-BC-P002-A	M16	2,00	—	12,0	68,0	25,0	110,0	12.00X9.00	4	14,1	DIN376	6H	C
MTH-M18X2.50ISO6H-BC-P002-A	M18	2,50	—	14,0	81,0	30,0	125,0	14.00X11.00	4	15,7	DIN376	6H	C
MTH-M20X2.50ISO6H-BC-P002-A	M20	2,50	—	16,0	95,0	30,0	140,0	16.00X12.00	4	17,7	DIN376	6H	C

Please check availability in current price and stock-list

## MTH-P003



- For cutting data see page(s) 167
- Coating: AlTiN-based
- Substrate: HSS-E-PM

Designation	TDZ	Pitch		Dimensions in mm					NOF	PHDR	BSG	TCTR	THCHT
		mm	TPI	DMM	LU	THLGTH	LF	CZC					
MTH-M1.6X0.35ISO6HX-BC-P003	M1.6	0,35	–	2,5	6,0	4,0	40,0	2.50X2.10	2	1,3	DIN371	6HX	C
MTH-M2X0.40ISO6HX-BC-P003	M2	0,40	–	2,8	9,0	4,0	45,0	2.80X2.10	2	1,6	DIN371	6HX	C
MTH-M2.2X0.45ISO6HX-BC-P003	M2.2	0,45	–	2,8	12,0	4,0	45,0	2.80X2.10	2	1,8	DIN371	6HX	C
MTH-M2.3X0.40ISO6HX-BC-P003	M2.3	0,40	–	2,8	12,0	4,0	45,0	2.80X2.10	2	1,9	DIN371	6HX	C
MTH-M2.5X0.45ISO6HX-BC-P003	M2.5	0,45	–	2,8	12,5	4,0	50,0	2.80X2.10	2	2,1	DIN371	6HX	C
MTH-M2.6X0.45ISO6HX-BC-P003	M2.6	0,45	–	2,8	12,5	4,0	50,0	2.80X2.10	2	2,15	DIN371	6HX	C
MTH-M3X0.50ISO6HX-BC-P003	M3	0,50	–	3,5	18,0	5,9	56,0	3.50X2.70	3	2,5	DIN371	6HX	C
MTH-M3.5X0.60ISO6HX-BC-P003	M3.5	0,60	–	4,0	20,0	7,0	56,0	4.00X3.00	3	2,9	DIN371	6HX	C
MTH-M4X0.70ISO6HX-BC-P003	M4	0,70	–	4,5	21,0	6,7	63,0	4.50X3.40	3	3,4	DIN371	6HX	C
MTH-M5X0.80ISO6HX-BC-P003	M5	0,80	–	6,0	25,0	7,7	70,0	6.00X4.90	3	4,3	DIN371	6HX	C
MTH-M6X1.00ISO6HX-BC-P003	M6	1,00	–	6,0	30,0	10,0	80,0	6.00X4.90	3	5,1	DIN371	6HX	C
MTH-M7X1.00ISO6HX-BC-P003	M7	1,00	–	7,0	30,0	10,0	80,0	7.00X5.50	3	6,1	DIN371	6HX	C
MTH-M8X1.25ISO6HX-BC-P003	M8	1,25	–	8,0	35,0	11,6	90,0	8.00X6.20	3	6,8	DIN371	6HX	C
MTH-M10X1.50ISO6HX-BC-P003	M10	1,50	–	10,0	39,0	15,1	100,0	10.00X8.00	3	8,6	DIN371	6HX	C

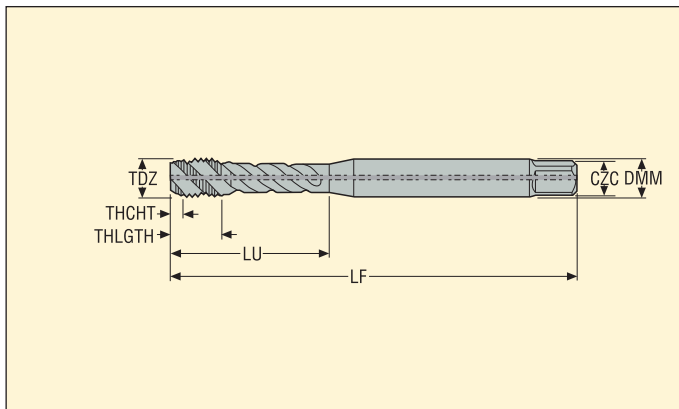
Please check availability in current price and stock-list



## MTH-P003-A



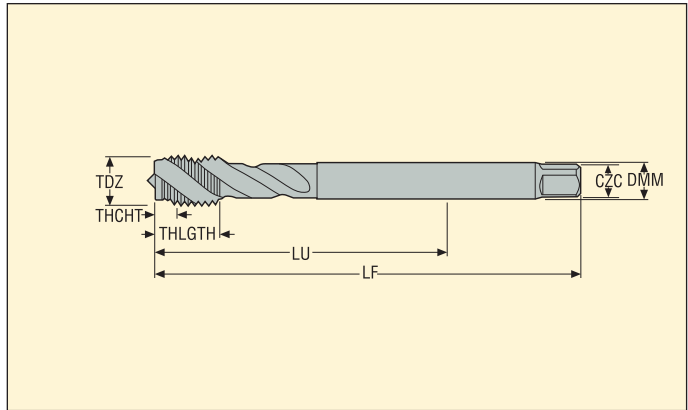
- For cutting data see page(s) 167
- Coating: AlTiN-based
- Substrate: HSS-E-PM
- Internal coolant



Designation	TDZ	Pitch		Dimensions in mm					NOF	PHDR	BSG	TCTR	THCHT
		mm	TPI	DMM	LU	THLGTH	LF	CZC					
MTH-M4X0.70ISO6HX-BC-P003-A	M4	0,70	–	4,5	21,0	6,7	63,0	4.50X3.40	3	3,4	DIN371	6HX	C
MTH-M5X0.80ISO6HX-BC-P003-A	M5	0,80	–	6,0	25,0	7,7	70,0	6.00X4.90	3	4,3	DIN371	6HX	C
MTH-M6X1.00ISO6HX-BC-P003-A	M6	1,00	–	6,0	30,0	10,0	80,0	6.00X4.90	3	5,1	DIN371	6HX	C
MTH-M7X1.00ISO6HX-BC-P003-A	M7	1,00	–	7,0	30,0	10,0	80,0	7.00X5.50	3	6,1	DIN371	6HX	C
MTH-M8X1.25ISO6HX-BC-P003-A	M8	1,25	–	8,0	35,0	11,6	90,0	8.00X6.20	3	6,8	DIN371	6HX	C
MTH-M10X1.50ISO6HX-BC-P003-A	M10	1,50	–	10,0	39,0	15,1	100,0	10.00X8.00	3	8,6	DIN371	6HX	C

Please check availability in current price and stock-list

## MTH-P004



- For cutting data see page(s) 167
- Coating: AlTiN-based
- Substrate: HSS-E-PM

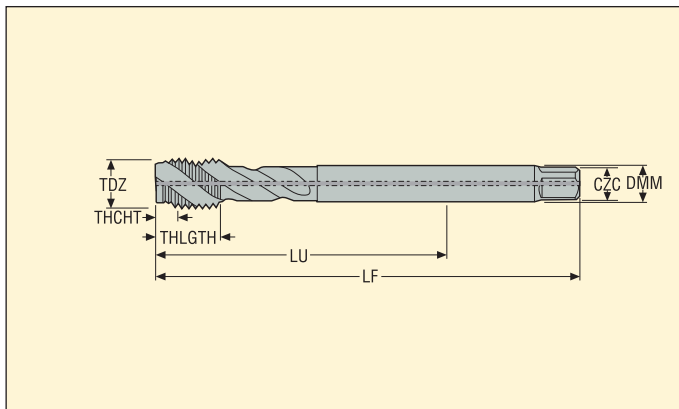
Designation	TDZ	Pitch		Dimensions in mm					NOF	PHDR	BSG	TCTR	THCHT
		mm	TPI	DMM	LU	THLGTH	LF	CZC					
MTH-M5X0.80ISO6HX-BC-P004	M5	0,80	–	3,5	49,0	8,0	70,0	3.50X2.70	3	4,3	DIN376	6HX	C
MTH-M6X1.00ISO6HX-BC-P004	M6	1,00	–	4,5	59,0	10,0	80,0	4.50X3.40	3	5,1	DIN376	6HX	C
MTH-M7X1.00ISO6HX-BC-P004	M7	1,00	–	5,5	59,0	10,0	80,0	5.50X4.30	3	6,1	DIN376	6HX	C
MTH-M8X1.25ISO6HX-BC-P004	M8	1,25	–	6,0	67,0	13,0	90,0	6.00X4.90	3	6,8	DIN376	6HX	C
MTH-M10X1.50ISO6HX-BC-P004	M10	1,50	–	7,0	77,0	20,0	100,0	7.00X5.50	3	8,6	DIN376	6HX	C
MTH-M12X1.75ISO6HX-BC-P004	M12	1,75	–	9,0	83,0	16,0	110,0	9.00X7.00	3	10,4	DIN376	6HX	C
MTH-M14X2.00ISO6HX-BC-P004	M14	2,00	–	11,0	81,0	25,0	110,0	11.00X9.00	3	12,1	DIN376	6HX	C
MTH-M16X2.00ISO6HX-BC-P004	M16	2,00	–	12,0	68,0	20,0	110,0	12.00X9.00	4	14,1	DIN376	6HX	C
MTH-M18X2.50ISO6HX-BC-P004	M18	2,50	–	14,0	81,0	25,0	125,0	14.00X11.00	4	15,7	DIN376	6HX	C
MTH-M20X2.50ISO6HX-BC-P004	M20	2,50	–	16,0	95,0	25,0	140,0	16.00X12.00	4	17,7	DIN376	6HX	C
MTH-M22X2.50ISO6HX-BC-P004	M22	2,50	–	18,0	93,0	25,0	140,0	18.00X14.50	4	19,7	DIN376	6HX	C
MTH-M24X3.00ISO6HX-BC-P004	M24	3,00	–	18,0	113,0	30,0	160,0	18.00X14.50	4	21,0	DIN376	6HX	C
MTH-M27X3.00ISO6HX-BC-P004	M27	3,00	–	20,0	97,0	30,0	160,0	20.00X16.00	4	24,0	DIN376	6HX	C
MTH-M30X3.50ISO6HX-BC-P004	M30	3,50	–	22,0	115,0	36,0	180,0	22.00X18.00	4	26,5	DIN376	6HX	C

Please check availability in current price and stock-list

## MTH-P004-A



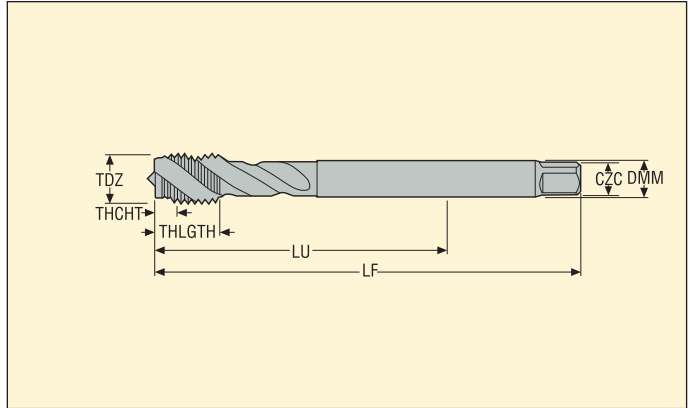
- For cutting data see page(s) 167
- Coating: AlTiN-based
- Substrate: HSS-E-PM
- Internal coolant



Designation	TDZ	Pitch		Dimensions in mm					NOF	PHDR	BSG	TCTR	THCHT
		mm	TPI	DMM	LU	THLGTH	LF	CZC					
MTH-M12X1.75ISO6HX-BC-P004-A	M12	1,75	-	9,0	83,0	16,0	110,0	9.00X7.00	3	10,4	DIN376	6HX	C
MTH-M14X2.00ISO6HX-BC-P004-A	M14	2,00	-	11,0	81,0	25,0	110,0	11.00X9.00	3	12,1	DIN376	6HX	C
MTH-M16X2.00ISO6HX-BC-P004-A	M16	2,00	-	12,0	68,0	20,0	110,0	12.00X9.00	4	14,1	DIN376	6HX	C
MTH-M18X2.50ISO6HX-BC-P004-A	M18	2,50	-	14,0	81,0	25,0	125,0	14.00X11.00	4	15,7	DIN376	6HX	C
MTH-M20X2.50ISO6HX-BC-P004-A	M20	2,50	-	16,0	95,0	25,0	140,0	16.00X12.00	4	17,7	DIN376	6HX	C
MTH-M22X2.50ISO6HX-BC-P004-A	M22	2,50	-	18,0	93,0	25,0	140,0	18.00X14.50	4	19,7	DIN376	6HX	C
MTH-M24X3.00ISO6HX-BC-P004-A	M24	3,00	-	18,0	113,0	30,0	160,0	18.00X14.50	4	21,0	DIN376	6HX	C
MTH-M27X3.00ISO6HX-BC-P004-A	M27	3,00	-	20,0	97,0	30,0	160,0	20.00X16.00	4	24,0	DIN376	6HX	C
MTH-M30X3.50ISO6HX-BC-P004-A	M30	3,50	-	22,0	115,0	36,0	180,0	22.00X18.00	4	26,5	DIN376	6HX	C

Please check availability in current price and stock-list

## MTH-P011

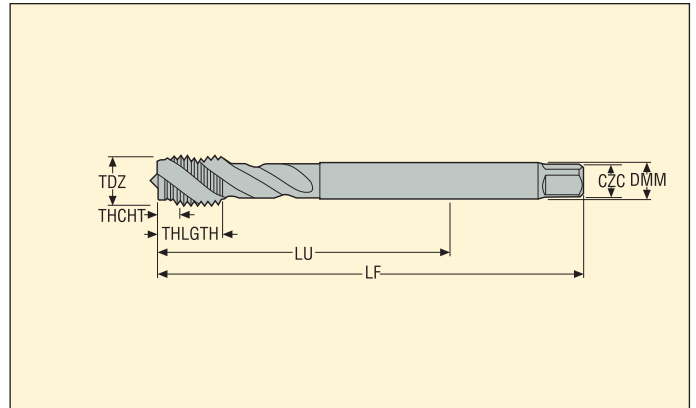


- For cutting data see page(s) 167
- Coating: AlTiN-based
- Substrate: HSS-E-PM

Designation	TDZ	Pitch		Dimensions in mm					NOF	PHDR	BSG	TCTR	THCHT
		mm	TPI	DMM	LU	THLGTH	LF	CZC					
MTH-M4X0.50ISO6HX-BC-P011	MF4X0.5	0,50	-	2,8	43,0	7,0	63,0	2,80X2,10	3	3,5	DIN374	6HX	C
MTH-M5X0.50ISO6HX-BC-P011	MF5X0.5	0,50	-	3,5	49,0	8,0	70,0	3,50X2,70	3	4,5	DIN374	6HX	C
MTH-M6X0.75ISO6HX-BC-P011	MF6X0.75	0,75	-	4,5	59,0	10,0	80,0	4,50X3,40	3	5,3	DIN374	6HX	C
MTH-M8X0.75ISO6HX-BC-P011	MF8X0.75	0,75	-	6,0	57,0	13,0	80,0	6,00X4,90	3	7,3	DIN374	6HX	C
MTH-M8X1.00ISO6HX-BC-P011	MF8X1.0	1,00	-	6,0	67,0	13,0	90,0	6,00X4,90	3	7,1	DIN374	6HX	C
MTH-M10X0.75ISO6HX-BC-P011	MF10X0.75	0,75	-	7,0	67,0	13,0	90,0	7,00X5,50	3	9,3	DIN374	6HX	C
MTH-M10X1.00ISO6HX-BC-P011	MF10X1.0	1,00	-	7,0	67,0	13,0	90,0	7,00X5,50	3	9,1	DIN374	6HX	C
MTH-M10X1.25ISO6HX-BC-P011	MF10X1.25	1,25	-	7,0	77,0	15,0	100,0	7,00X5,50	3	8,8	DIN374	6HX	C
MTH-M12X1.00ISO6HX-BC-P011	MF12X1.0	1,00	-	9,0	73,0	15,0	100,0	9,00X7,00	3	11,1	DIN374	6HX	C
MTH-M12X1.25ISO6HX-BC-P011	MF12X1.25	1,25	-	9,0	73,0	15,0	100,0	9,00X7,00	3	10,8	DIN374	6HX	C
MTH-M12X1.50ISO6HX-BC-P011	MF12X1.5	1,50	-	9,0	73,0	15,0	100,0	9,00X7,00	3	10,6	DIN374	6HX	C
MTH-M14X1.00ISO6HX-BC-P011	MF14X1.0	1,00	-	11,0	71,0	15,0	100,0	11,00X9,00	3	13,1	DIN374	6HX	C
MTH-M14X1.25ISO6HX-BC-P011	MF14X1.25	1,25	-	11,0	71,0	15,0	100,0	11,00X9,00	3	12,8	DIN374	6HX	C
MTH-M14X1.50ISO6HX-BC-P011	MF14X1.5	1,50	-	11,0	71,0	15,0	100,0	11,00X9,00	3	12,6	DIN374	6HX	C
MTH-M16X1.00ISO6HX-BC-P011	MF16X1.0	1,00	-	12,0	58,0	15,0	100,0	12,00X9,00	4	15,1	DIN374	6HX	C
MTH-M16X1.50ISO6HX-BC-P011	MF16X1.5	1,50	-	12,0	58,0	15,0	100,0	12,00X9,00	4	14,6	DIN374	6HX	C
MTH-M18X1.00ISO6HX-BC-P011	MF18X1.0	1,00	-	14,0	66,0	17,0	110,0	14,00X11,00	4	17,1	DIN374	6HX	C
MTH-M18X1.50ISO6HX-BC-P011	MF18X1.5	1,50	-	14,0	66,0	17,0	110,0	14,00X11,00	4	16,6	DIN374	6HX	C
MTH-M20X1.00ISO6HX-BC-P011	MF20X1.0	1,00	-	16,0	80,0	17,0	125,0	16,00X12,00	4	19,1	DIN374	6HX	C
MTH-M20X1.50ISO6HX-BC-P011	MF20X1.5	1,50	-	16,0	80,0	17,0	125,0	16,00X12,00	4	18,6	DIN374	6HX	C
MTH-M22X1.50ISO6HX-BC-P011	MF22X1.5	1,50	-	18,0	78,0	17,0	125,0	18,00X14,50	4	20,5	DIN374	6HX	C
MTH-M24X1.50ISO6HX-BC-P011	MF24X1.5	1,50	-	18,0	93,0	20,0	140,0	18,00X14,50	4	22,5	DIN374	6HX	C
MTH-M24X2.00ISO6HX-BC-P011	MF24X2.0	2,00	-	18,0	93,0	20,0	140,0	18,00X14,50	4	22,0	DIN374	6HX	C

Please check availability in current price and stock-list

## MTH-P011

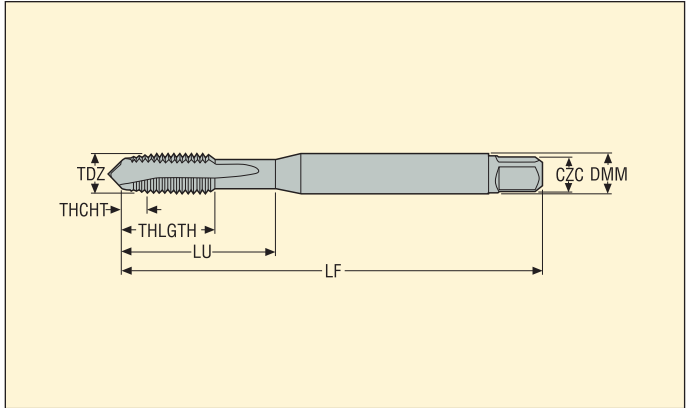


- For cutting data see page(s) 167
- Coating: AlTiN-based
- Substrate: HSS-E-PM

Designation	TDZ	Pitch		Dimensions in mm					NOF	PHDR	BSG	TCTR	THCHT
		mm	TPI	DMM	LU	THLGTH	LF	CZC					
MTH-M25X1.50ISO6HX-BC-P011	MF25X1.5	1,50	-	18,0	93,0	20,0	140,0	18.00X14.50	4	23,5	DIN374	6HX	C
MTH-M26X1.50ISO6HX-BC-P011	MF26X1.5	1,50	-	18,0	93,0	20,0	140,0	18.00X14.50	4	24,5	DIN374	6HX	C
MTH-M27X1.50ISO6HX-BC-P011	MF27X1.5	1,50	-	20,0	77,0	20,0	140,0	20.00X16.00	4	25,5	DIN374	6HX	C
MTH-M27X2.00ISO6HX-BC-P011	MF27X2.0	2,00	-	20,0	77,0	20,0	140,0	20.00X16.00	4	25,0	DIN374	6HX	C
MTH-M28X1.50ISO6HX-BC-P011	MF28X1.5	1,50	-	20,0	77,0	20,0	140,0	20.00X16.00	4	26,5	DIN374	6HX	C
MTH-M30X1.50ISO6HX-BC-P011	MF30X1.5	1,50	-	22,0	85,0	20,0	150,0	22.00X18.00	4	28,5	DIN374	6HX	C
MTH-M30X2.00ISO6HX-BC-P011	MF30X2.0	2,00	-	22,0	85,0	20,0	150,0	22.00X18.00	4	28,0	DIN374	6HX	C

Please check availability in current price and stock-list

## MTP-P001



- For cutting data see page(s) 168
- Coating: TiAlN
- Substrate: HSS-E-PM

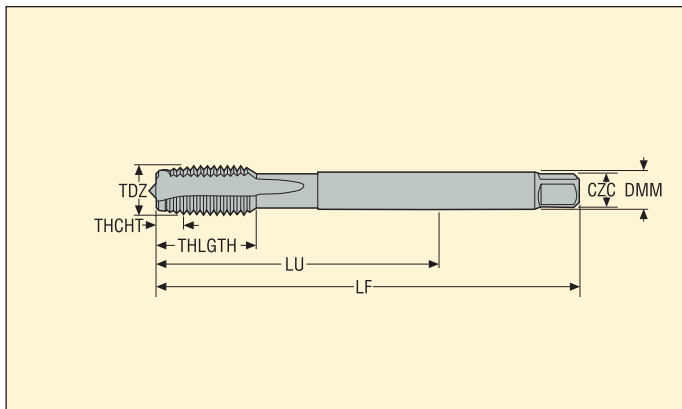
Designation	TDZ	Pitch		Dimensions in mm					NOF	PHDR	BSG	TCTR	THCHT
		mm	TPI	DMM	LU	THLGTH	LF	CZC					
MTP-M3X0.50ISO6H-TB-P001	M3	0,50	-	4,5	12,0	12,0	63,0	4.50X3.40	3	2,5	SECO-DIN	6H	B
MTP-M4X0.70ISO6H-TB-P001	M4	0,70	-	6,0	13,0	13,0	70,0	6.00X4.90	3	3,4	SECO-DIN	6H	B
MTP-M5X0.80ISO6H-TB-P001	M5	0,80	-	6,0	15,0	15,0	80,0	6.00X4.90	3	4,3	SECO-DIN	6H	B
MTP-M6X1.00ISO6H-TB-P001	M6	1,00	-	8,0	18,0	18,0	90,0	8.00X6.20	3	5,1	SECO-DIN	6H	B
MTP-M8X1.25ISO6H-TB-P001	M8	1,25	-	10,0	20,0	20,0	100,0	10.00X8.00	3	6,8	SECO-DIN	6H	B
MTP-M10X1.50ISO6H-TB-P001	M10	1,50	-	10,0	39,0	20,0	100,0	10.00X8.00	3	8,6	SECO-DIN	6H	B

Please check availability in current price and stock-list

## MTP-P002



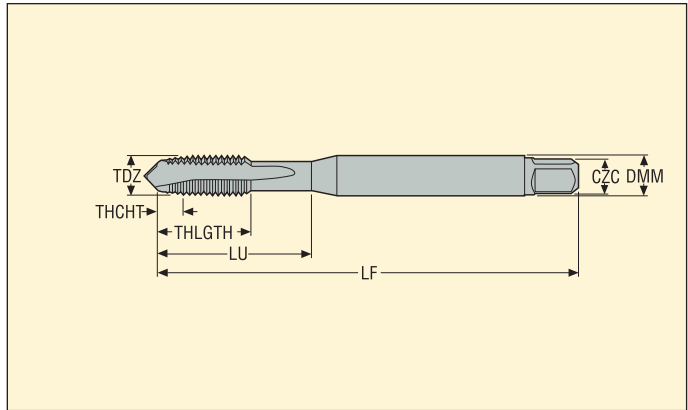
- For cutting data see page(s) 168
- Coating: TiAlN
- Substrate: HSS-E-PM



Designation	TDZ	Pitch		Dimensions in mm					NOF	PHDR	BSG	TCTR	THCHT
		mm	TPI	DMM	LU	THLGH	LF	CZC					
MTP-M12X1.75ISO6H-TB-P002	M12	1,75	–	9,0	83,0	23,0	110,0	9.00X7.00	4	10,4	DIN376	6H	B
MTP-M14X2.00ISO6H-TB-P002	M14	2,00	–	11,0	81,0	25,0	110,0	11.00X9.00	4	12,1	DIN376	6H	B
MTP-M16X2.00ISO6H-TB-P002	M16	2,00	–	12,0	68,0	25,0	110,0	12.00X9.00	4	14,1	DIN376	6H	B
MTP-M18X2.50ISO6H-TB-P002	M18	2,50	–	14,0	81,0	30,0	125,0	14.00X11.00	4	15,7	DIN376	6H	B
MTP-M20X2.50ISO6H-TB-P002	M20	2,50	–	16,0	95,0	30,0	140,0	16.00X12.00	4	17,7	DIN376	6H	B

Please check availability in current price and stock-list

## MTP-P003



- For cutting data see page(s) 168
- Coating: AlTiN-based
- Substrate: HSS-E-PM

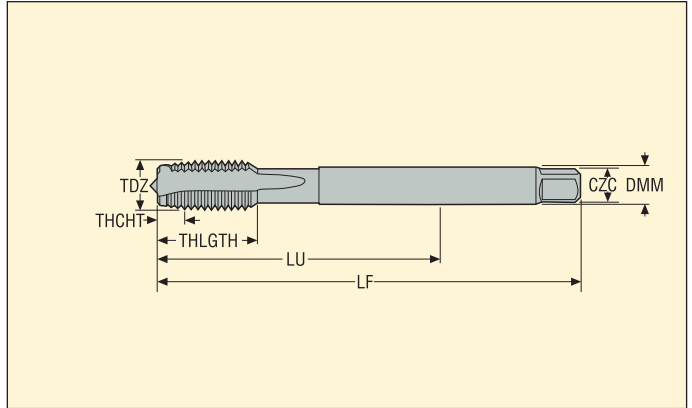
Designation	TDZ	Pitch		Dimensions in mm					NOF	PHDR	BSG	TCTR	THCHT
		mm	TPI	DMM	LU	THLGTH	LF	CZC					
MTP-M1X0.25ISO5HX-TB-P003	M1	0,25	-	2,5	20,0	5,0	40,0	2,50X2.10	2	0,75	DIN371	5HX	B
MTP-M1.2X0.25ISO5HX-TB-P003	M1.2	0,25	-	2,5	20,0	5,0	40,0	2,50X2.10	2	0,95	DIN371	5HX	B
MTP-M1.4X0.30ISO5HX-TB-P003	M1.4	0,30	-	2,5	20,0	6,5	40,0	2,50X2.10	2	1,1	DIN371	5HX	B
MTP-M1.6X0.35ISO6HX-TB-P003	M1.6	0,35	-	2,5	20,0	7,0	40,0	2,50X2.10	2	1,3	DIN371	6HX	B
MTP-M1.8X0.35ISO6HX-TB-P003	M1.8	0,35	-	2,5	20,0	7,0	40,0	2,50X2.10	2	1,5	DIN371	6HX	B
MTP-M2X0.40ISO6HX-TB-P003	M2	0,40	-	2,8	9,0	6,0	45,0	2,80X2.10	2	1,6	DIN371	6HX	B
MTP-M2.2X0.45ISO6HX-TB-P003	M2.2	0,45	-	2,8	12,0	7,0	45,0	2,80X2.10	2	1,8	DIN371	6HX	B
MTP-M2.3X0.40ISO6HX-TB-P003	M2.3	0,40	-	2,8	12,0	7,0	45,0	2,80X2.10	2	1,9	DIN371	6HX	B
MTP-M2.5X0.45ISO6HX-TB-P003	M2.5	0,45	-	2,8	12,5	8,0	50,0	2,80X2.10	2	2,1	DIN371	6HX	B
MTP-M2.6X0.45ISO6HX-TB-P003	M2.6	0,45	-	2,8	12,5	8,0	50,0	2,80X2.10	2	2,15	DIN371	6HX	B
MTP-M3X0.50ISO6HX-TB-P003	M3	0,50	-	3,5	18,0	8,9	56,0	3,50X2.70	3	2,5	DIN371	6HX	B
MTP-M3.5X0.60ISO6HX-TB-P003	M3.5	0,60	-	4,0	20,0	10,8	56,0	4,00X3.00	3	2,9	DIN371	6HX	B
MTP-M4X0.70ISO6HX-TB-P003	M4	0,70	-	4,5	21,0	11,7	63,0	4,50X3.40	3	3,4	DIN371	6HX	B
MTP-M5X0.80ISO6HX-TB-P003	M5	0,80	-	6,0	25,0	12,6	70,0	6,00X4.90	3	4,3	DIN371	6HX	B
MTP-M6X1.00ISO6HX-TB-P003	M6	1,00	-	6,0	30,0	14,5	80,0	6,00X4.90	3	5,1	DIN371	6HX	B
MTP-M7X1.00ISO6HX-TB-P003	M7	1,00	-	7,0	30,0	14,5	80,0	7,00X5.50	3	6,1	DIN371	6HX	B
MTP-M8X1.25ISO6HX-TB-P003	M8	1,25	-	8,0	35,0	17,4	90,0	8,00X6.20	3	6,8	DIN371	6HX	B
MTP-M10X1.50ISO6HX-TB-P003	M10	1,50	-	10,0	39,0	19,2	100,0	10,00X8.00	3	8,6	DIN371	6HX	B

Please check availability in current price and stock-list





## MTP-P004



- For cutting data see page(s) 168
- Coating: AlTiN-based
- Substrate: HSS-E-PM

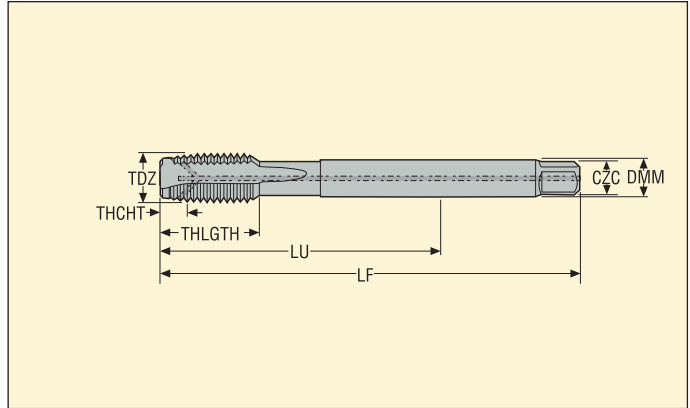
Designation	TDZ	Pitch		Dimensions in mm					NOF	PHDR	BSG	TCTR	THCHT
		mm	TPI	DMM	LU	THLGTH	LF	CZC					
MTP-M4X0.70ISO6HX-TB-P004	M4	0,70	-	2,8	43,0	12,0	63,0	2.80X2.10	3	3,4	DIN376	6HX	B
MTP-M5X0.80ISO6HX-TB-P004	M5	0,80	-	3,5	49,0	13,2	70,0	3.50X2.70	3	4,3	DIN376	6HX	B
MTP-M6X1.00ISO6HX-TB-P004	M6	1,00	-	4,5	59,0	15,1	80,0	4.50X3.40	3	5,1	DIN376	6HX	B
MTP-M8X1.25ISO6HX-TB-P004	M8	1,25	-	6,0	67,0	18,0	90,0	6.00X4.90	3	6,8	DIN376	6HX	B
MTP-M10X1.50ISO6HX-TB-P004	M10	1,50	-	7,0	77,0	19,8	100,0	7.00X5.50	3	8,6	DIN376	6HX	B
MTP-M12X1.75ISO6HX-TB-P004	M12	1,75	-	9,0	83,0	23,0	110,0	9.00X7.00	4	10,4	DIN376	6HX	B
MTP-M14X2.00ISO6HX-TB-P004	M14	2,00	-	11,0	81,0	25,0	110,0	11.00X9.00	4	12,1	DIN376	6HX	B
MTP-M16X2.00ISO6HX-TB-P004	M16	2,00	-	12,0	68,0	25,0	110,0	12.00X9.00	4	14,1	DIN376	6HX	B
MTP-M18X2.50ISO6HX-TB-P004	M18	2,50	-	14,0	81,0	30,0	125,0	14.00X11.00	4	15,7	DIN376	6HX	B
MTP-M20X2.50ISO6HX-TB-P004	M20	2,50	-	16,0	95,0	30,0	140,0	16.00X12.00	4	17,7	DIN376	6HX	B
MTP-M22X2.50ISO6HX-TB-P004	M22	2,50	-	18,0	93,0	34,0	140,0	18.00X14.50	4	19,7	DIN376	6HX	B
MTP-M24X3.00ISO6HX-TB-P004	M24	3,00	-	18,0	113,0	38,0	160,0	18.00X14.50	4	21,0	DIN376	6HX	B
MTP-M27X3.00ISO6HX-TB-P004	M27	3,00	-	20,0	97,0	38,0	160,0	20.00X16.00	4	24,0	DIN376	6HX	B
MTP-M30X3.50ISO6HX-TB-P004	M30	3,50	-	22,0	115,0	45,0	180,0	22.00X18.00	4	26,5	DIN376	6HX	B

Please check availability in current price and stock-list

## MTP-P004-A



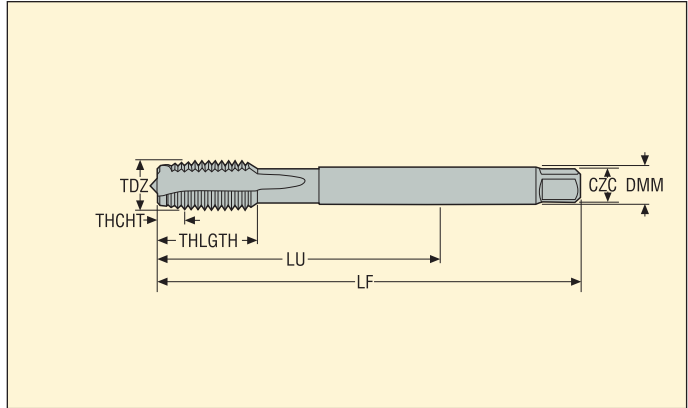
- For cutting data see page(s) 168
- Coating: AlTiN-based
- Substrate: HSS-E-PM
- Internal coolant



Designation	TDZ	Pitch		Dimensions in mm					NOF	PHDR	BSG	TCTR	THCHT
		mm	TPI	DMM	LU	THLGTH	LF	CZC					
MTP-M12X1.75ISO6HX-TB-P004-A	M12	1,75	–	9,0	83,0	23,0	110,0	9.00X7.00	4	10,4	DIN376	6HX	B
MTP-M14X2.00ISO6HX-TB-P004-A	M14	2,00	–	11,0	81,0	25,0	110,0	11.00X9.00	4	12,1	DIN376	6HX	B
MTP-M16X2.00ISO6HX-TB-P004-A	M16	2,00	–	12,0	68,0	25,0	110,0	12.00X9.00	4	14,1	DIN376	6HX	B
MTP-M18X2.50ISO6HX-TB-P004-A	M18	2,50	–	14,0	81,0	30,0	125,0	14.00X11.00	4	15,7	DIN376	6HX	B
MTP-M20X2.50ISO6HX-TB-P004-A	M20	2,50	–	16,0	95,0	30,0	140,0	16.00X12.00	4	17,7	DIN376	6HX	B
MTP-M22X2.50ISO6HX-TB-P004-A	M22	2,50	–	18,0	93,0	34,0	140,0	18.00X14.50	4	19,7	DIN376	6HX	B
MTP-M24X3.00ISO6HX-TB-P004-A	M24	3,00	–	18,0	113,0	38,0	160,0	18.00X14.50	4	21,0	DIN376	6HX	B
MTP-M27X3.00ISO6HX-TB-P004-A	M27	3,00	–	20,0	97,0	38,0	160,0	20.00X16.00	4	24,0	DIN376	6HX	B
MTP-M30X3.50ISO6HX-TB-P004-A	M30	3,50	–	22,0	115,0	45,0	180,0	22.00X18.00	4	26,5	DIN376	6HX	B

Please check availability in current price and stock-list

## MTP-P011

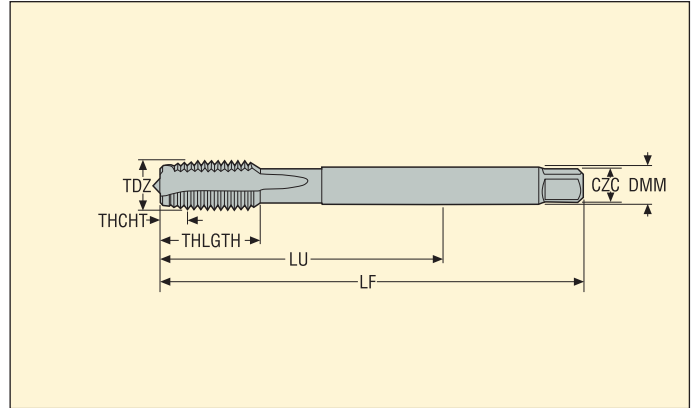


- For cutting data see page(s) 168
- Coating: AlTiN-based
- Substrate: HSS-E-PM

Designation	TDZ	Pitch		Dimensions in mm					NOF	PHDR	BSG	TCTR	THCHT
		mm	TPI	DMM	LU	THLGTH	LF	CZC					
MTP-M4X0.50ISO6HX-TB-P011	MF4X0.5	0,50	–	2,8	43,0	12,0	63,0	2.80X2.10	3	3,5	DIN374	6HX	B
MTP-M5X0.50ISO6HX-TB-P011	MF5X0.5	0,50	–	3,5	49,0	13,0	70,0	3.50X2.70	3	4,5	DIN374	6HX	B
MTP-M6X0.75ISO6HX-TB-P011	MF6X0.75	0,75	–	4,5	59,0	15,0	80,0	4.50X3.40	3	5,3	DIN374	6HX	B
MTP-M8X0.75ISO6HX-TB-P011	MF8X0.75	0,75	–	6,0	57,0	15,0	80,0	6.00X4.90	3	7,3	DIN374	6HX	B
MTP-M8X1.00ISO6HX-TB-P011	MF8X1.0	1,00	–	6,0	67,0	18,0	90,0	6.00X4.90	3	7,1	DIN374	6HX	B
MTP-M10X0.75ISO6HX-TB-P011	MF10X0.75	0,75	–	7,0	67,0	17,6	90,0	7.00X5.50	3	9,3	DIN374	6HX	B
MTP-M10X1.00ISO6HX-TB-P011	MF10X1.0	1,00	–	7,0	67,0	17,6	90,0	7.00X5.50	3	9,1	DIN374	6HX	B
MTP-M10X1.25ISO6HX-TB-P011	MF10X1.25	1,25	–	7,0	77,0	19,8	100,0	7.00X5.50	3	8,8	DIN374	6HX	B
MTP-M12X1.00ISO6HX-TB-P011	MF12X1.0	1,00	–	9,0	73,0	21,0	100,0	9.00X7.00	4	11,1	DIN374	6HX	B
MTP-M12X1.25ISO6HX-TB-P011	MF12X1.25	1,25	–	9,0	73,0	21,0	100,0	9.00X7.00	4	10,8	DIN374	6HX	B
MTP-M12X1.50ISO6HX-TB-P011	MF12X1.5	1,50	–	9,0	73,0	21,0	100,0	9.00X7.00	4	10,6	DIN374	6HX	B
MTP-M14X1.00ISO6HX-TB-P011	MF14X1.0	1,00	–	11,0	71,0	21,0	100,0	11.00X9.00	4	13,1	DIN374	6HX	B
MTP-M14X1.25ISO6HX-TB-P011	MF14X1.25	1,25	–	11,0	71,0	21,0	100,0	11.00X9.00	4	12,8	DIN374	6HX	B
MTP-M14X1.50ISO6HX-TB-P011	MF14X1.5	1,50	–	11,0	71,0	21,0	100,0	11.00X9.00	4	12,6	DIN374	6HX	B
MTP-M16X1.00ISO6HX-TB-P011	MF16X1.0	1,00	–	12,0	58,0	21,0	100,0	12.00X9.00	4	15,1	DIN374	6HX	B
MTP-M16X1.50ISO6HX-TB-P011	MF16X1.5	1,50	–	12,0	58,0	21,0	100,0	12.00X9.00	4	14,6	DIN374	6HX	B
MTP-M18X1.00ISO6HX-TB-P011	MF18X1.0	1,00	–	14,0	66,0	24,0	110,0	14.00X11.00	4	17,1	DIN374	6HX	B
MTP-M18X1.50ISO6HX-TB-P011	MF18X1.5	1,50	–	14,0	66,0	24,0	110,0	14.00X11.00	4	16,6	DIN374	6HX	B
MTP-M20X1.00ISO6HX-TB-P011	MF20X1.0	1,00	–	16,0	80,0	24,0	125,0	16.00X12.00	4	19,1	DIN374	6HX	B
MTP-M20X1.50ISO6HX-TB-P011	MF20X1.5	1,50	–	16,0	80,0	24,0	125,0	16.00X12.00	4	18,6	DIN374	6HX	B
MTP-M22X1.50ISO6HX-TB-P011	MF22X1.5	1,50	–	18,0	78,0	25,0	125,0	18.00X14.50	4	20,5	DIN374	6HX	B
MTP-M24X1.50ISO6HX-TB-P011	MF24X1.5	1,50	–	18,0	93,0	28,0	140,0	18.00X14.50	4	22,5	DIN374	6HX	B
MTP-M24X2.00ISO6HX-TB-P011	MF24X2.0	2,00	–	18,0	93,0	28,0	140,0	18.00X14.50	4	22,0	DIN374	6HX	B

Please check availability in current price and stock-list

## MTP-P011



- For cutting data see page(s) 168
- Coating: AlTiN-based
- Substrate: HSS-E-PM

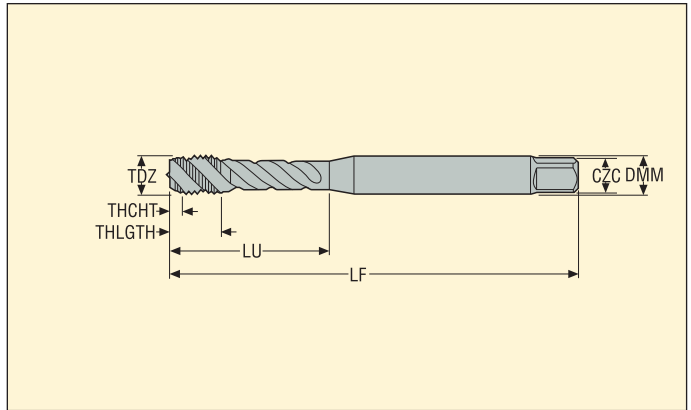
Designation	TDZ	Pitch		Dimensions in mm					NOF	PHDR	BSG	TCTR	THCHT
		mm	TPI	DMM	LU	THLGTH	LF	CZC					
MTP-M25X1.50ISO6HX-TB-P011	MF25X1.5	1,50	–	18,0	93,0	28,0	140,0	18.00X14.50	4	23,5	DIN374	6HX	B
MTP-M26X1.50ISO6HX-TB-P011	MF26X1.5	1,50	–	18,0	93,0	28,0	140,0	18.00X14.50	4	24,5	DIN374	6HX	B
MTP-M27X1.50ISO6HX-TB-P011	MF27X1.5	1,50	–	20,0	77,0	28,0	140,0	20.00X16.00	4	25,5	DIN374	6HX	B
MTP-M27X2.00ISO6HX-TB-P011	MF27X2.0	2,00	–	20,0	77,0	28,0	140,0	20.00X16.00	4	25,0	DIN374	6HX	B
MTP-M28X1.50ISO6HX-TB-P011	MF28X1.5	1,50	–	20,0	77,0	28,0	140,0	20.00X16.00	4	26,5	DIN374	6HX	B
MTP-M30X1.50ISO6HX-TB-P011	MF30X1.5	1,50	–	22,0	85,0	28,0	150,0	22.00X18.00	4	28,5	DIN374	6HX	B
MTP-M30X2.00ISO6HX-TB-P011	MF30X2.0	2,00	–	22,0	85,0	28,0	150,0	22.00X18.00	4	28,0	DIN374	6HX	B

Please check availability in current price and stock-list

## MTH-M003



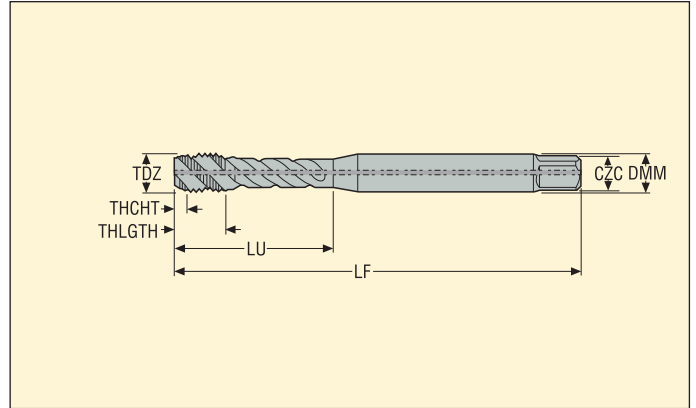
- For cutting data see page(s) 169
- Coating: TiCN
- Substrate: HSS-E



Designation	TDZ	Pitch		Dimensions in mm					NOF	PHDR	BSG	TCTR	THCHT
		mm	TPI	DMM	LU	THLGTH	LF	CZC					
MTH-M1.6X0.35ISO6H-BC-M003	M1.6	0,35	-	2,5	6,0	4,0	40,0	2,50X2,10	2	1,3	DIN371	6H	C
MTH-M2X0.40ISO6H-BC-M003	M2	0,40	-	2,8	9,0	4,0	45,0	2,80X2,10	3	1,6	DIN371	6H	C
MTH-M2.2X0.45ISO6H-BC-M003	M2.2	0,45	-	2,8	12,0	4,0	45,0	2,80X2,10	3	1,8	DIN371	6H	C
MTH-M2.3X0.40ISO6H-BC-M003	M2.3	0,40	-	2,8	12,0	4,0	45,0	2,80X2,10	3	1,9	DIN371	6H	C
MTH-M2.5X0.45ISO6H-BC-M003	M2.5	0,45	-	2,8	12,5	4,0	50,0	2,80X2,10	3	2,1	DIN371	6H	C
MTH-M2.6X0.45ISO6H-BC-M003	M2.6	0,45	-	2,8	12,5	4,0	50,0	2,80X2,10	3	2,15	DIN371	6H	C
MTH-M3X0.50ISO6H-BC-M003	M3	0,50	-	3,5	18,0	5,9	56,0	3,50X2,70	3	2,5	DIN371	6H	C
MTH-M3.5X0.60ISO6H-BC-M003	M3.5	0,60	-	4,0	20,0	7,0	56,0	4,00X3,00	3	2,9	DIN371	6H	C
MTH-M4X0.70ISO6H-BC-M003	M4	0,70	-	4,5	21,0	6,7	63,0	4,50X3,40	3	3,4	DIN371	6H	C
MTH-M5X0.80ISO6H-BC-M003	M5	0,80	-	6,0	25,0	7,7	70,0	6,00X4,90	3	4,3	DIN371	6H	C
MTH-M6X1.00ISO6H-BC-M003	M6	1,00	-	6,0	30,0	10,0	80,0	6,00X4,90	3	5,1	DIN371	6H	C
MTH-M7X1.00ISO6H-BC-M003	M7	1,00	-	7,0	30,0	10,0	80,0	7,00X5,50	3	6,1	DIN371	6H	C
MTH-M8X1.25ISO6H-BC-M003	M8	1,25	-	8,0	35,0	11,6	90,0	8,00X6,20	3	6,8	DIN371	6H	C
MTH-M10X1.50ISO6H-BC-M003	M10	1,50	-	10,0	39,0	15,1	100,0	10,00X8,00	3	8,6	DIN371	6H	C

Please check availability in current price and stock-list

## MTH-M003-A

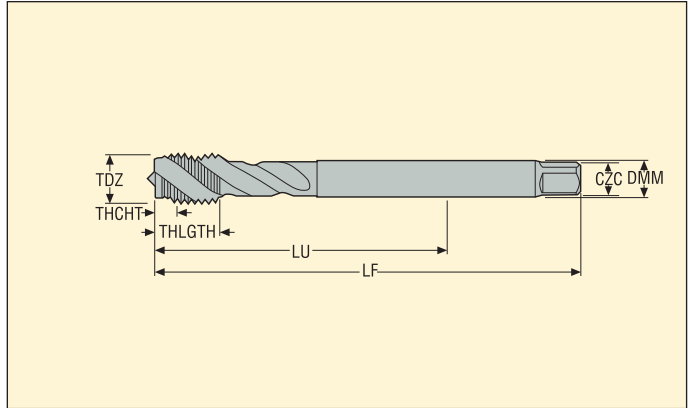


- For cutting data see page(s) 169
- Coating: TiCN
- Substrate: HSS-E
- Internal coolant

Designation	TDZ	Pitch		Dimensions in mm					NOF	PHDR	BSG	TCTR	THCHT
		mm	TPI	DMM	LU	THLGTH	LF	CZC					
MTH-M4X0.70ISO6H-BC-M003-A	M4	0,70	–	4,5	21,0	6,7	63,0	4.50X3.40	3	3,4	DIN371	6H	C
MTH-M5X0.80ISO6H-BC-M003-A	M5	0,80	–	6,0	25,0	7,7	70,0	6.00X4.90	3	4,3	DIN371	6H	C
MTH-M6X1.00ISO6H-BC-M003-A	M6	1,00	–	6,0	30,0	10,0	80,0	6.00X4.90	3	5,1	DIN371	6H	C
MTH-M7X1.00ISO6H-BC-M003-A	M7	1,00	–	7,0	30,0	10,0	80,0	7.00X5.50	3	6,1	DIN371	6H	C
MTH-M8X1.25ISO6H-BC-M003-A	M8	1,25	–	8,0	35,0	11,6	90,0	8.00X6.20	3	6,8	DIN371	6H	C
MTH-M10X1.50ISO6H-BC-M003-A	M10	1,50	–	10,0	39,0	15,1	100,0	10.00X8.00	3	8,6	DIN371	6H	C

Please check availability in current price and stock-list

## MTH-M004



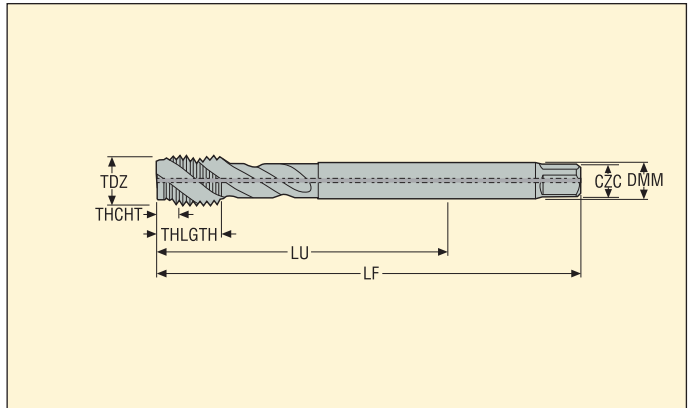
- For cutting data see page(s) 169
- Coating: TiCN
- Substrate: HSS-E

Designation	TDZ	Pitch		Dimensions in mm					NOF	PHDR	BSG	TCTR	THCHT
		mm	TPI	DMM	LU	THLGTH	LF	CZC					
<b>MTH-M12X1.75ISO6H-BC-M004</b>	M12	1,75	-	9,0	83,0	23,0	110,0	9.00X7.00	3	10,4	DIN376	6H	C
<b>MTH-M14X2.00ISO6H-BC-M004</b>	M14	2,00	-	11,0	81,0	25,0	110,0	11.00X9.00	3	12,1	DIN376	6H	C
<b>MTH-M16X2.00ISO6H-BC-M004</b>	M16	2,00	-	12,0	68,0	20,0	110,0	12.00X9.00	4	14,1	DIN376	6H	C
<b>MTH-M18X2.50ISO6H-BC-M004</b>	M18	2,50	-	14,0	81,0	25,0	125,0	14.00X11.00	4	15,7	DIN376	6H	C
<b>MTH-M20X2.50ISO6H-BC-M004</b>	M20	2,50	-	16,0	95,0	25,0	140,0	16.00X12.00	4	17,7	DIN376	6H	C

Please check availability in current price and stock-list



## MTH-M004-A

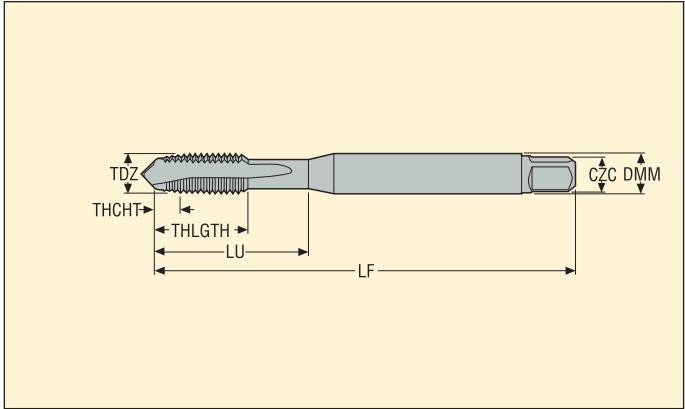


- For cutting data see page(s) 169
- Coating: TiCN
- Substrate: HSS-E
- Internal coolant

Designation	TDZ	Pitch		Dimensions in mm					NOF	PHDR	BSG	TCTR	THCHT
		mm	TPI	DMM	LU	THLGTH	LF	CZC					
MTH-M12X1.75ISO6H-BC-M004-A	M12	1,75	–	9,0	83,0	23,0	110,0	9,00X7,00	3	10,4	DIN376	6H	C
MTH-M14X2.00ISO6H-BC-M004-A	M14	2,00	–	11,0	81,0	25,0	110,0	11,00X9,00	3	12,1	DIN376	6H	C
MTH-M16X2.00ISO6H-BC-M004-A	M16	2,00	–	12,0	68,0	20,0	110,0	12,00X9,00	4	14,1	DIN376	6H	C
MTH-M18X2.50ISO6H-BC-M004-A	M18	2,50	–	14,0	81,0	25,0	125,0	14,00X11,00	4	15,7	DIN376	6H	C
MTH-M20X2.50ISO6H-BC-M004-A	M20	2,50	–	16,0	95,0	25,0	140,0	16,00X12,00	4	17,7	DIN376	6H	C

Please check availability in current price and stock-list

## MTP-M003



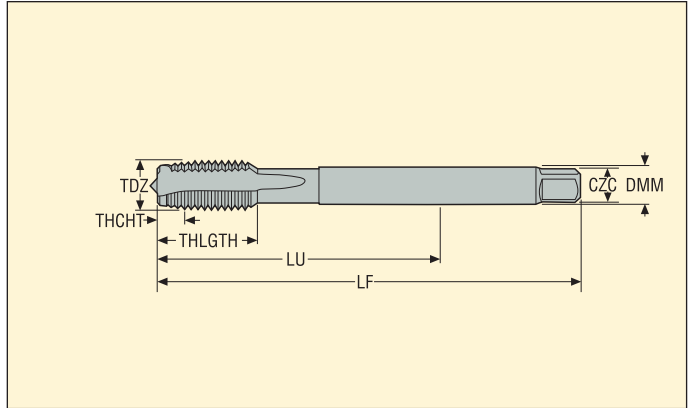
- For cutting data see page(s) 169
- Coating: TiCN
- Substrate: HSS-E

Designation	TDZ	Pitch		Dimensions in mm					NOF	PHDR	BSG	TCTR	THCHT
		mm	TPI	DMM	LU	THLGTH	LF	CZC					
MTP-M1X0.25ISO5HX-TB-M003	M1	0,25	-	2,5	20,0	5,0	40,0	2,50X2.10	2	0,75	DIN371	5HX	B
MTP-M1.2X0.25ISO5HX-TB-M003	M1.2	0,25	-	2,5	20,0	5,0	40,0	2,50X2.10	2	0,95	DIN371	5HX	B
MTP-M1.4X0.30ISO5HX-TB-M003	M1.4	0,30	-	2,5	20,0	6,5	40,0	2,50X2.10	2	1,1	DIN371	5HX	B
MTP-M1.6X0.35ISO6H-TB-M003	M1.6	0,35	-	2,5	20,0	7,0	40,0	2,50X2.10	2	1,3	DIN371	6H	B
MTP-M1.8X0.35ISO6H-TB-M003	M1.8	0,35	-	2,5	20,0	7,0	40,0	2,50X2.10	2	1,5	DIN371	6H	B
MTP-M2X0.40ISO6H-TB-M003	M2	0,40	-	2,8	9,0	6,0	45,0	2,80X2.10	2	1,6	DIN371	6H	B
MTP-M2.2X0.45ISO6H-TB-M003	M2.2	0,45	-	2,8	12,0	7,0	45,0	2,80X2.10	2	1,8	DIN371	6H	B
MTP-M2.3X0.40ISO6H-TB-M003	M2.3	0,40	-	2,8	12,0	7,0	45,0	2,80X2.10	2	1,9	DIN371	6H	B
MTP-M2.5X0.45ISO6H-TB-M003	M2.5	0,45	-	2,8	12,5	8,0	50,0	2,80X2.10	2	2,1	DIN371	6H	B
MTP-M2.6X0.45ISO6H-TB-M003	M2.6	0,45	-	2,8	12,5	8,0	50,0	2,80X2.10	2	2,15	DIN371	6H	B
MTP-M3X0.50ISO6H-TB-M003	M3	0,50	-	3,5	18,0	8,9	56,0	3,50X2.70	3	2,5	DIN371	6H	B
MTP-M3.5X0.60ISO6H-TB-M003	M3.5	0,60	-	4,0	20,0	10,8	56,0	4,00X3.00	3	2,9	DIN371	6H	B
MTP-M4X0.70ISO6H-TB-M003	M4	0,70	-	4,5	21,0	11,7	63,0	4,50X3.40	3	3,4	DIN371	6H	B
MTP-M5X0.80ISO6H-TB-M003	M5	0,80	-	6,0	25,0	12,6	70,0	6,00X4.90	3	4,3	DIN371	6H	B
MTP-M6X1.00ISO6H-TB-M003	M6	1,00	-	6,0	30,0	14,5	80,0	6,00X4.90	3	5,1	DIN371	6H	B
MTP-M8X1.25ISO6H-TB-M003	M8	1,25	-	8,0	35,0	17,4	90,0	8,00X6.20	3	6,8	DIN371	6H	B
MTP-M10X1.50ISO6H-TB-M003	M10	1,50	-	10,0	39,0	19,2	100,0	10,00X8.00	3	8,6	DIN371	6H	B

Please check availability in current price and stock-list



## MTP-M004

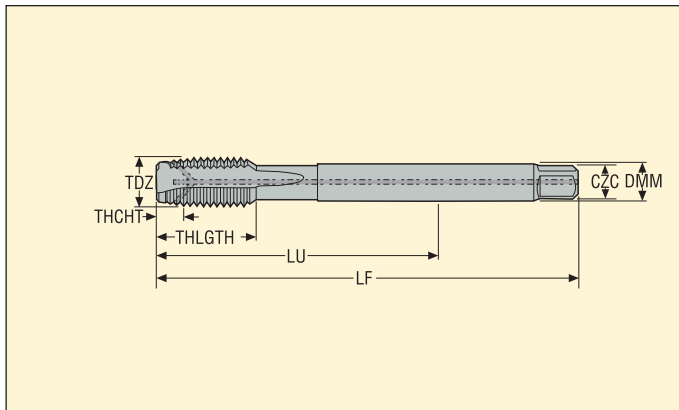


- For cutting data see page(s) 169
- Coating: TiCN
- Substrate: HSS-E

Designation	TDZ	Pitch		Dimensions in mm					NOF	PHDR	BSG	TCTR	THCHT
		mm	TPI	DMM	LU	THLGH	LF	CZC					
MTP-M12X1.75ISO6H-TB-M004	M12	1,75	–	9,0	83,0	23,0	110,0	9.00X7.00	4	10,4	DIN376	6H	B
MTP-M14X2.00ISO6H-TB-M004	M14	2,00	–	11,0	81,0	25,0	110,0	11.00X9.00	4	12,1	DIN376	6H	B
MTP-M16X2.00ISO6H-TB-M004	M16	2,00	–	12,0	68,0	25,0	110,0	12.00X9.00	4	14,1	DIN376	6H	B
MTP-M18X2.50ISO6H-TB-M004	M18	2,50	–	14,0	81,0	30,0	125,0	14.00X11.00	4	15,7	DIN376	6H	B
MTP-M20X2.50ISO6H-TB-M004	M20	2,50	–	16,0	95,0	30,0	140,0	16.00X12.00	4	17,7	DIN376	6H	B

Please check availability in current price and stock-list

## MTP-M004-A



- For cutting data see page(s) 169
- Coating: TiCN
- Substrate: HSS-E
- Internal coolant

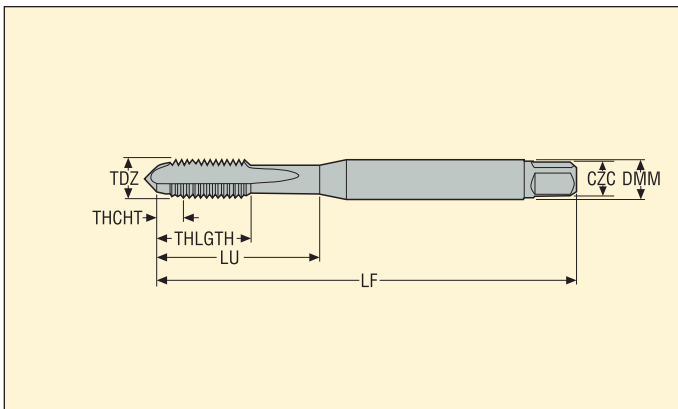
Designation	TDZ	Pitch		Dimensions in mm					NOF	PHDR	BSG	TCTR	THCHT
		mm	TPI	DMM	LU	THLGTH	LF	CZC					
MTP-M12X1.75ISO6H-TB-M004-A	M12	1,75	–	9,0	83,0	23,0	110,0	9.00X7.00	4	10,4	DIN376	6H	B
MTP-M14X2.00ISO6H-TB-M004-A	M14	2,00	–	11,0	81,0	25,0	110,0	11.00X9.00	4	12,1	DIN376	6H	B
MTP-M16X2.00ISO6H-TB-M004-A	M16	2,00	–	12,0	68,0	25,0	110,0	12.00X9.00	4	14,1	DIN376	6H	B
MTP-M18X2.50ISO6H-TB-M004-A	M18	2,50	–	14,0	81,0	30,0	125,0	14.00X11.00	4	15,7	DIN376	6H	B
MTP-M20X2.50ISO6H-TB-M004-A	M20	2,50	–	16,0	95,0	30,0	140,0	16.00X12.00	4	17,7	DIN376	6H	B
MTP-M22X2.50ISO6H-TB-M004-A	M22	2,50	–	18,0	93,0	34,0	140,0	18.00X14.50	4	19,7	DIN376	6H	B
MTP-M24X3.00ISO6H-TB-M004-A	M24	3,00	–	18,0	113,0	38,0	160,0	18.00X14.50	4	21,0	DIN376	6H	B

Please check availability in current price and stock-list

## MTS-K001



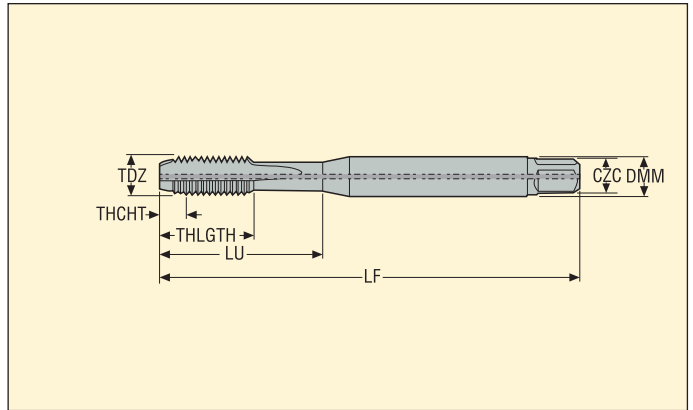
- For cutting data see page(s) 170
- Coating: TiAlN
- Substrate: HSS-E-PM



Designation	TDZ	Pitch		Dimensions in mm					NOF	PHDR	BSG	TCTR	THCHT
		mm	TPI	DMM	LU	THLGTH	LF	CXC					
MTS-M3X0.50ISO6HX-XC-K001	M3	0,50	–	3,5	18,0	8,9	56,0	3.50X2.70	3	2,5	DIN371	6HX	C
MTS-M4X0.70ISO6HX-XC-K001	M4	0,70	–	4,5	21,0	11,7	63,0	4.50X3.40	4	3,4	DIN371	6HX	C
MTS-M5X0.80ISO6HX-XC-K001	M5	0,80	–	6,0	25,0	12,6	70,0	6.00X4.90	4	4,3	DIN371	6HX	C
MTS-M6X1.00ISO6HX-XC-K001	M6	1,00	–	6,0	30,0	14,5	80,0	6.00X4.90	4	5,1	DIN371	6HX	C
MTS-M8X1.25ISO6HX-XC-K001	M8	1,25	–	8,0	35,0	18,1	90,0	8.00X6.20	4	6,8	DIN371	6HX	C
MTS-M10X1.50ISO6HX-XC-K001	M10	1,50	–	10,0	39,0	20,1	100,0	10.00X8.00	4	8,6	DIN371	6HX	C

Please check availability in current price and stock-list

## MTS-K001-A

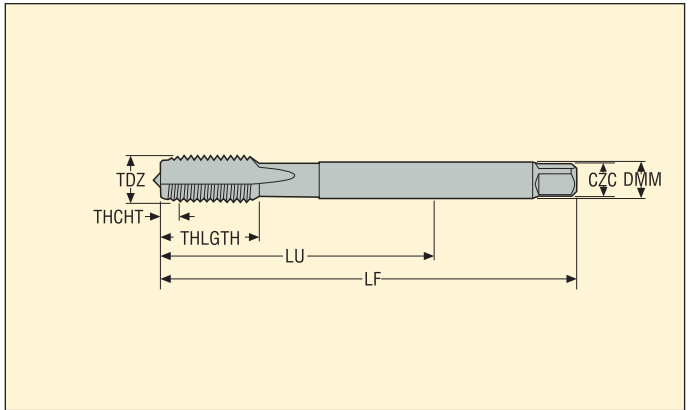


- For cutting data see page(s) 170
- Coating: TiAlN
- Substrate: HSS-E-PM
- Internal coolant

Designation	TDZ	Pitch		Dimensions in mm					NOF	PHDR	BSG	TCTR	THCHT
		mm	TPI	DMM	LU	THLGTH	LF	CZC					
MTS-M4X0.70ISO6HX-XC-K001-A	M4	0,70	-	4,5	21,0	11,7	63,0	4.50X3.40	4	3,4	DIN371	6HX	C
MTS-M5X0.80ISO6HX-XC-K001-A	M5	0,80	-	6,0	25,0	12,6	70,0	6.00X4.90	4	4,3	DIN371	6HX	C
MTS-M5X0.80ISO6HX-XE-K001-A	M5	0,80	-	6,0	25,0	12,6	70,0	6.00X4.90	4	4,3	DIN371	6HX	E
MTS-M6X1.00ISO6HX-XC-K001-A	M6	1,00	-	6,0	30,0	14,5	80,0	6.00X4.90	4	5,1	DIN371	6HX	C
MTS-M6X1.00ISO6HX-XE-K001-A	M6	1,00	-	6,0	30,0	14,5	80,0	6.00X4.90	4	5,1	DIN371	6HX	E
MTS-M8X1.25ISO6HX-XC-K001-A	M8	1,25	-	8,0	35,0	18,1	90,0	8.00X6.20	4	6,8	DIN371	6HX	C
MTS-M8X1.25ISO6HX-XE-K001-A	M8	1,25	-	8,0	35,0	18,1	90,0	8.00X6.20	4	6,8	DIN371	6HX	E
MTS-M10X1.50ISO6HX-XC-K001-A	M10	1,50	-	10,0	39,0	20,1	100,0	10.00X8.00	4	8,6	DIN371	6HX	C
MTS-M10X1.50ISO6HX-XE-K001-A	M10	1,50	-	10,0	39,0	20,1	100,0	10.00X8.00	4	8,6	DIN371	6HX	E

Please check availability in current price and stock-list

## MTS-K002



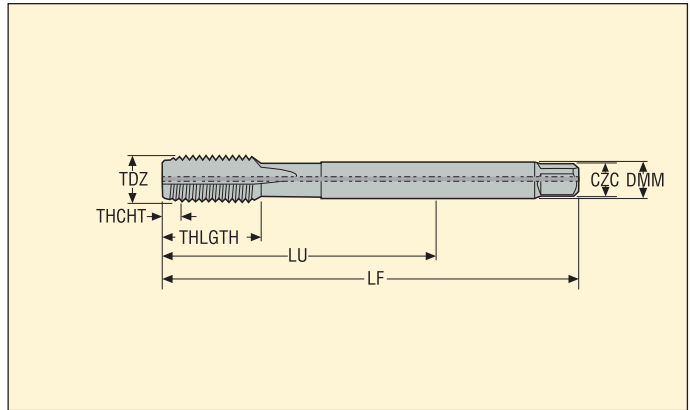
- For cutting data see page(s) 170
- Coating: TiCN<=M24, TiAlN>M24
- Substrate: HSS-E-PM

Designation	TDZ	Pitch		Dimensions in mm					NOF	PHDR	BSG	TCTR	THCHT
		mm	TPI	DMM	LU	THLGTH	LF	CZC					
MTS-M8X1.25ISO6HX-XC-K002	M8	1,25	-	6,0	67,0	18,0	90,0	6.00X4.90	4	6,8	DIN376	6HX	C
MTS-M10X1.50ISO6HX-XC-K002	M10	1,50	-	7,0	77,0	20,0	100,0	7.00X5.50	4	8,6	DIN376	6HX	C
MTS-M12X1.75ISO6HX-XC-K002	M12	1,75	-	9,0	83,0	23,0	110,0	9.00X7.00	4	10,4	DIN376	6HX	C
MTS-M14X2.00ISO6HX-XC-K002	M14	2,00	-	11,0	81,0	25,0	110,0	11.00X9.00	4	12,1	DIN376	6HX	C
MTS-M16X2.00ISO6HX-XC-K002	M16	2,00	-	12,0	68,0	25,0	110,0	12.00X9.00	4	14,1	DIN376	6HX	C
MTS-M18X2.50ISO6HX-XC-K002	M18	2,50	-	14,0	81,0	30,0	125,0	14.00X11.00	4	15,7	DIN376	6HX	C
MTS-M20X2.50ISO6HX-XC-K002	M20	2,50	-	16,0	95,0	30,0	140,0	16.00X12.00	4	17,7	DIN376	6HX	C
MTS-M22X2.50ISO6HX-XC-K002	M22	2,50	-	18,0	93,0	34,0	140,0	18.00X14.50	4	19,7	DIN376	6HX	C
MTS-M24X3.00ISO6HX-XC-K002	M24	3,00	-	18,0	113,0	38,0	160,0	18.00X14.50	4	21,0	DIN376	6HX	C
MTS-M27X3.00ISO6HX-XC-K002	M27	3,00	-	20,0	97,0	38,0	160,0	20.00X16.00	4	24,0	DIN376	6HX	C
MTS-M30X3.50ISO6HX-XC-K002	M30	3,50	-	22,0	115,0	45,0	180,0	22.00X18.00	4	26,5	DIN376	6HX	C
MTS-M33X3.50ISO6HX-XC-K002	M33	3,50	-	25,0	113,0	50,0	180,0	25.00X20.00	4	29,5	DIN376	6HX	C
MTS-M36X4.00ISO6HX-XC-K002	M36	4,00	-	28,0	131,0	55,0	200,0	28.00X22.00	4	32,0	DIN376	6HX	C
MTS-M39X4.00ISO6HX-XC-K002	M39	4,00	-	32,0	102,0	60,0	200,0	32.00X24.00	4	35,0	DIN376	6HX	C
MTS-M42X4.50ISO6HX-XC-K002	M42	4,50	-	32,0	102,0	60,0	200,0	32.00X24.00	4	37,5	DIN376	6HX	C

Please check availability in current price and stock-list



## MTS-K002-A



- For cutting data see page(s) 170
- Coating: TiAlN
- Substrate: HSS-E-PM
- Internal coolant

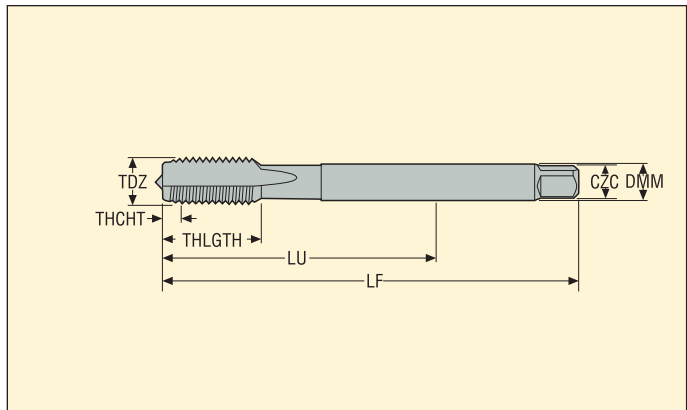
Designation	TDZ	Pitch		Dimensions in mm					NOF	PHDR	BSG	TCTR	THCHT
		mm	TPI	DMM	LU	THLGTH	LF	CZC					
MTS-M12X1.75ISO6HX-XC-K002-A	M12	1,75	-	9,0	83,0	24,0	110,0	9.00X7.00	4	10,4	DIN376	6HX	C
MTS-M12X1.75ISO6HX-XE-K002-A	M12	1,75	-	9,0	83,0	24,0	110,0	9.00X7.00	4	10,4	DIN376	6HX	E
MTS-M14X2.00ISO6HX-XC-K002-A	M14	2,00	-	11,0	81,0	25,0	110,0	11.00X9.00	4	12,1	DIN376	6HX	C
MTS-M16X2.00ISO6HX-XC-K002-A	M16	2,00	-	12,0	68,0	25,0	110,0	12.00X9.00	4	14,1	DIN376	6HX	C
MTS-M20X2.50ISO6HX-XC-K002-A	M20	2,50	-	16,0	95,0	30,0	140,0	16.00X12.00	4	17,7	DIN376	6HX	C
MTS-M22X2.50ISO6HX-XC-K002-A	M22	2,50	-	18,0	93,0	34,0	140,0	18.00X14.50	4	19,7	DIN376	6HX	C
MTS-M24X3.00ISO6HX-XC-K002-A	M24	3,00	-	18,0	113,0	38,0	160,0	18.00X14.50	4	21,0	DIN376	6HX	C
MTS-M27X3.00ISO6HX-XC-K002-A	M27	3,00	-	20,0	97,0	38,0	160,0	20.00X16.00	4	24,0	DIN376	6HX	C
MTS-M30X3.50ISO6HX-XC-K002-A	M30	3,50	-	22,0	115,0	45,0	180,0	22.00X18.00	4	26,5	DIN376	6HX	C
MTS-M33X3.50ISO6HX-XC-K002-A	M33	3,50	-	25,0	113,0	50,0	180,0	25.00X20.00	4	29,5	DIN376	6HX	C
MTS-M36X4.00ISO6HX-XC-K002-A	M36	4,00	-	28,0	131,0	55,0	200,0	28.00X22.00	4	32,0	DIN376	6HX	C
MTS-M39X4.00ISO6HX-XC-K002-A	M39	4,00	-	32,0	102,0	60,0	200,0	32.00X24.00	4	35,0	DIN376	6HX	C
MTS-M42X4.50ISO6HX-XC-K002-A	M42	4,50	-	32,0	102,0	60,0	200,0	32.00X24.00	4	37,5	DIN376	6HX	C

Please check availability in current price and stock-list

## MTS-K011



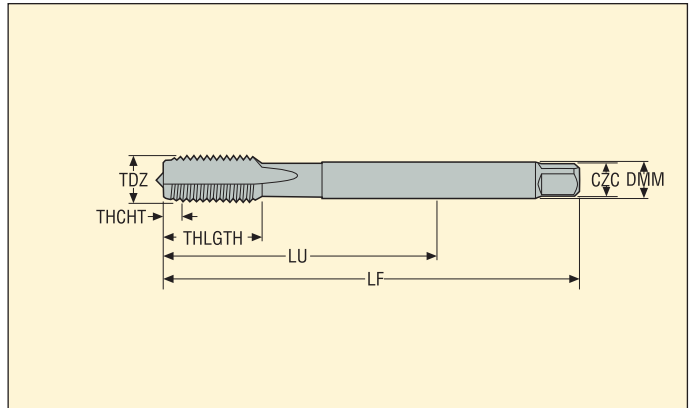
- For cutting data see page(s) 170
- Coating: TiAlN
- Substrate: HSS-E-PM



Designation	TDZ	Pitch		Dimensions in mm					NOF	PHDR	BSG	TCTR	THCHT
		mm	TPI	DMM	LU	THLGTH	LF	C2C					
MTS-M10X1.00ISO6HX-XC-K011	MF10X1.0	1,00	-	7,0	67,0	20,0	90,0	7.00X5.50	4	9,1	DIN374	6HX	C
MTS-M10X1.25ISO6HX-XC-K011	MF10X1.25	1,25	-	7,0	77,0	20,0	100,0	7.00X5.50	4	8,8	DIN374	6HX	C
MTS-M12X1.25ISO6HX-XC-K011	MF12X1.25	1,25	-	9,0	73,0	21,0	100,0	9.00X7.00	4	10,8	DIN374	6HX	C
MTS-M12X1.50ISO6HX-XC-K011	MF12X1.5	1,50	-	9,0	73,0	21,0	100,0	9.00X7.00	4	10,6	DIN374	6HX	C
MTS-M14X1.50ISO6HX-XC-K011	MF14X1.5	1,50	-	11,0	71,0	21,0	100,0	11.00X9.00	4	12,6	DIN374	6HX	C
MTS-M16X1.50ISO6HX-XC-K011	MF16X1.5	1,50	-	12,0	58,0	21,0	100,0	12.00X9.00	4	14,6	DIN374	6HX	C
MTS-M18X1.50ISO6HX-XC-K011	MF18X1.5	1,50	-	14,0	66,0	24,0	110,0	14.00X11.00	4	16,6	DIN374	6HX	C
MTS-M20X1.50ISO6HX-XC-K011	MF20X1.5	1,50	-	16,0	80,0	24,0	125,0	16.00X12.00	4	18,6	DIN374	6HX	C

Please check availability in current price and stock-list

## MTS-K021

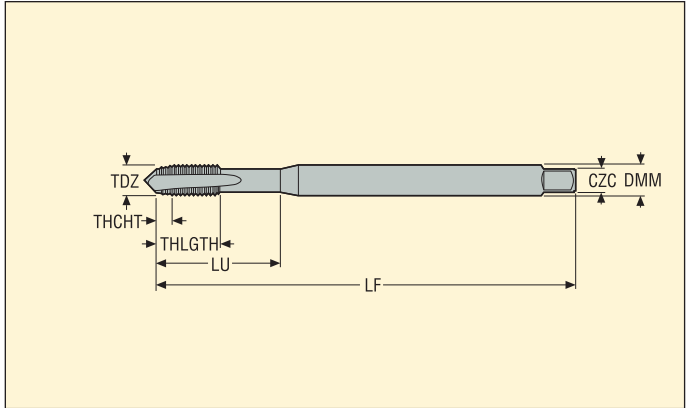


- For cutting data see page(s) 170
- Coating: TiAlN
- Substrate: HSS-E-PM

Designation	TDZ	Pitch		Dimensions in mm					NOF	PHDR	BSG	TCTR	THCHT
		mm	TPI	DMM	LU	THLGTH	LF	CZC					
MTS-1/8-28G-XC-K021	G1/8-28	-	28	7,0	67,0	20,0	90,0	7.00X5.50	4	8,8	DIN5156	NORMAL	C
MTS-1/4-19G-XC-K021	G1/4-19	-	19	11,0	71,0	21,0	100,0	11.00X9.00	4	11,8	DIN5156	NORMAL	C
MTS-3/8-19G-XC-K021	G3/8-19	-	19	12,0	58,0	21,0	100,0	12.00X9.00	5	15,3	DIN5156	NORMAL	C
MTS-1/2-14G-XC-K021	G1/2-14	-	14	16,0	80,0	24,0	125,0	16.00X12.00	5	19,1	DIN5156	NORMAL	C
MTS-3/4-14G-XC-K021	G3/4-14	-	14	20,0	77,0	28,0	140,0	20.00X16.00	6	24,6	DIN5156	NORMAL	C
MTS-1-11G-XC-K021	G1-11	-	11	25,0	93,0	30,0	160,0	25.00X20.00	6	30,9	DIN5156	NORMAL	C

Please check availability in current price and stock-list

## MTS-K031



- For cutting data see page(s) 170
- Coating: TiAlN
- Substrate: HSS-E-PM

Designation	TDZ	Pitch		Dimensions in mm					NOF	PHDR	BSG	TCTR	THCHT
		mm	TPI	DMM	LU	THLGTH	LF	CZC					
<b>MTS-1/4-20UNC-XC-K031</b>	UNC1/4-20	–	20	7,0	30,0	15,0	80,0	7.00X5.50	4	5,2	DIN2184-1	2BX	C
<b>MTS-5/16-18UNC-XC-K031</b>	UNC5/16-18	–	18	8,0	35,0	18,0	90,0	8.00X6.20	4	6,7	DIN2184-1	2BX	C
<b>MTS-3/8-16UNC-XC-K031</b>	UNC3/8-16	–	16	10,0	39,0	20,0	100,0	10.00X8.00	4	8,1	DIN2184-1	2BX	C
<b>MTS-7/16-14UNC-XC-K031</b>	UNC7/16-14	–	14	8,0	83,0	20,0	100,0	8.00X6.20	4	9,5	DIN2184-1	2BX	C
<b>MTS-1/2-13UNC-XC-K031</b>	UNC1/2-13	–	13	9,0	81,0	23,0	110,0	9.00X7.00	4	10,9	DIN2184-1	2BX	C
<b>MTS-5/8-11UNC-XC-K031</b>	UNC5/8-11	–	11	12,0	68,0	23,0	110,0	12.00X9.00	4	13,8	DIN2184-1	2BX	C
<b>MTS-3/4-10UNC-XC-K031</b>	UNC3/4-10	–	10	14,0	80,0	30,0	125,0	14.00X11.00	4	16,8	DIN2184-1	2BX	C
<b>MTS-7/8-9UNC-XC-K031</b>	UNC7/8-9	–	9	18,0	93,0	34,0	140,0	18.00X14.50	4	19,7	DIN2184-1	2BX	C

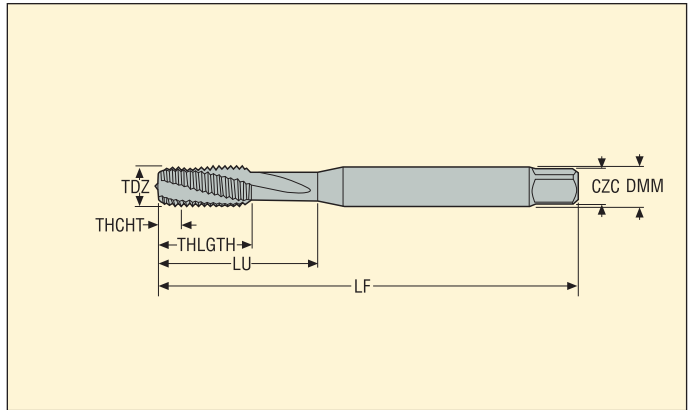
Please check availability in current price and stock-list



### MTH-N001



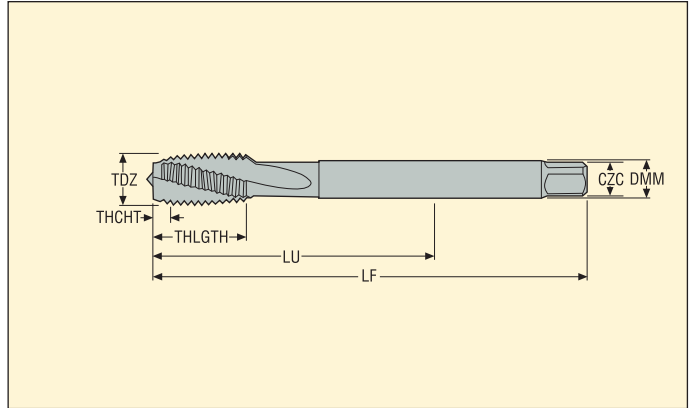
- For cutting data see page(s) 171
- Coating: BRIGHT
- Substrate: HSS-E-PM



Designation	TDZ	Pitch		Dimensions in mm					NOF	PHDR	BSG	TCTR	THCHT
		mm	TPI	DMM	LU	THLGTH	LF	CXC					
MTH-M3X0.50ISO6H-BC-N001	M3	0,50	-	3,5	18,0	9,0	56,0	3.50X2.70	3	2,5	DIN371	6H	C
MTH-M4X0.70ISO6H-BC-N001	M4	0,70	-	4,5	21,0	12,0	63,0	4.50X3.40	3	3,4	DIN371	6H	C
MTH-M5X0.80ISO6H-BC-N001	M5	0,80	-	6,0	25,0	13,0	70,0	6.00X4.90	3	4,3	DIN371	6H	C
MTH-M6X1.00ISO6H-BC-N001	M6	1,00	-	6,0	30,0	15,0	80,0	6.00X4.90	3	5,1	DIN371	6H	C
MTH-M8X1.25ISO6H-BC-N001	M8	1,25	-	8,0	35,0	18,0	90,0	8.00X6.20	3	6,8	DIN371	6H	C
MTH-M10X1.50ISO6H-BC-N001	M10	1,50	-	10,0	39,0	20,0	100,0	10.00X8.00	3	8,6	DIN371	6H	C

Please check availability in current price and stock-list

### MTH-N002

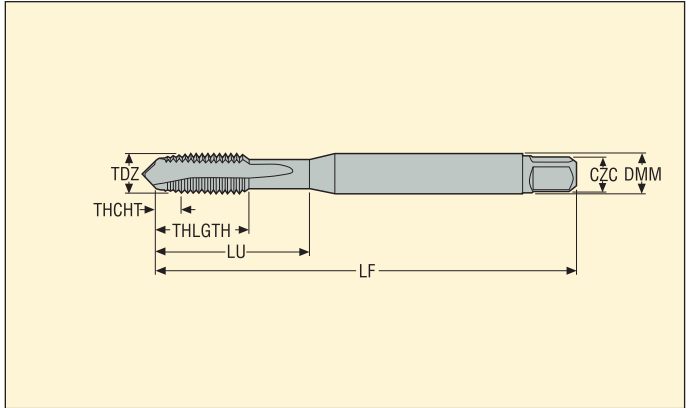


- For cutting data see page(s) 171
- Coating: BRIGHT
- Substrate: HSS-E-PM

Designation	TDZ	Pitch		Dimensions in mm					NOF	PHDR	BSG	TCTR	THCHT
		mm	TPI	DMM	LU	THLGTH	LF	CZC					
MTH-M12X1.75ISO6H-BC-N002	M12	1,75	-	9,0	83,0	23,0	110,0	9.00X7.00	3	10,4	DIN376	6H	C
MTH-M14X2.00ISO6H-BC-N002	M14	2,00	-	11,0	81,0	25,0	110,0	11.00X9.00	3	12,1	DIN376	6H	C
MTH-M16X2.00ISO6H-BC-N002	M16	2,00	-	12,0	68,0	25,0	110,0	12.00X9.00	3	14,1	DIN376	6H	C

Please check availability in current price and stock-list

## MTP-N001



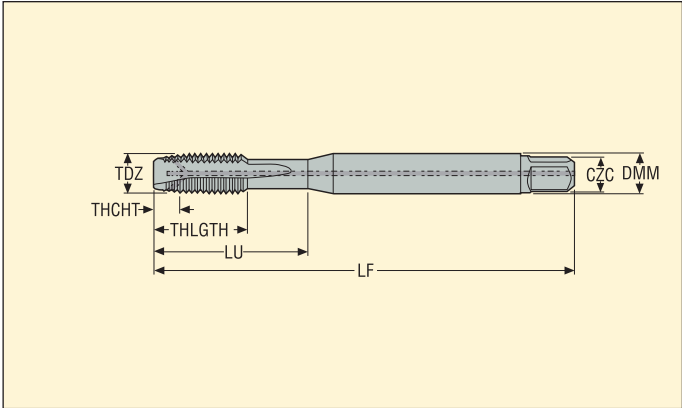
- For cutting data see page(s) 171
- Coating: BRIGHT
- Substrate: HSS-E

Designation	TDZ	Pitch		Dimensions in mm					NOF	PHDR	BSG	TCTR	THCHT
		mm	TPI	DMM	LU	THLGTH	LF	CXC					
MTP-M3X0.50ISO6H-TB-N001	M3	0,50	-	3,5	16,0	9,0	56,0	3.50X2.70	2	2,5	DIN371	6H	B
MTP-M4X0.70ISO6H-TB-N001	M4	0,70	-	4,5	19,0	12,0	63,0	4.50X3.40	2	3,4	DIN371	6H	B
MTP-M5X0.80ISO6H-TB-N001	M5	0,80	-	6,0	23,0	13,0	70,0	6.00X4.90	2	4,3	DIN371	6H	B
MTP-M6X1.00ISO6H-TB-N001	M6	1,00	-	6,0	27,0	15,0	80,0	6.00X4.90	3	5,1	DIN371	6H	B
MTP-M8X1.25ISO6H-TB-N001	M8	1,25	-	8,0	28,0	18,0	90,0	8.00X6.20	3	6,8	DIN371	6H	B
MTP-M10X1.50ISO6H-TB-N001	M10	1,50	-	10,0	30,0	20,0	100,0	10.00X8.00	3	8,6	DIN371	6H	B

Please check availability in current price and stock-list



MTP-N001-A



- For cutting data see page(s) 171
- Coating: BRIGHT
- Substrate: HSS-PM
- Internal coolant

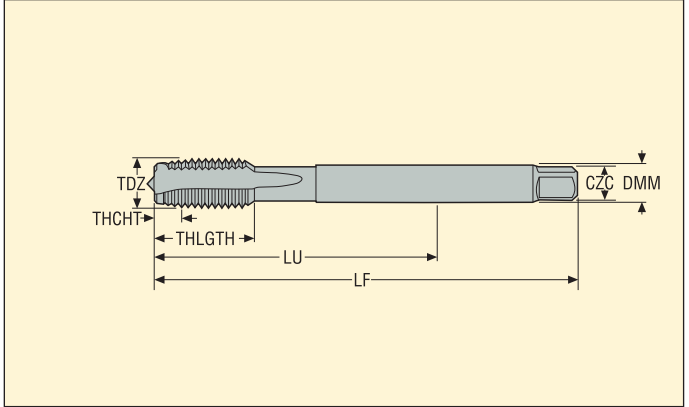
Designation	TDZ	Pitch		Dimensions in mm					NOF	PHDR	BSG	TCTR	THCHT
		mm	TPI	DMM	LU	THLGTH	LF	CZC					
MTP-M4X0.70ISO6H-TB-N001-A	M4	0,70	–	4,5	19,0	12,0	63,0	4.50X3.40	2	3,4	DIN371	6H	B
MTP-M5X0.80ISO6H-TB-N001-A	M5	0,80	–	6,0	23,0	13,0	70,0	6.00X4.90	2	4,3	DIN371	6H	B
MTP-M6X1.00ISO6H-TB-N001-A	M6	1,00	–	6,0	27,0	15,0	80,0	6.00X4.90	3	5,1	DIN371	6H	B
MTP-M8X1.25ISO6H-TB-N001-A	M8	1,25	–	8,0	28,0	18,0	90,0	8.00X6.20	3	6,8	DIN371	6H	B
MTP-M10X1.50ISO6H-TB-N001-A	M10	1,50	–	10,0	30,0	20,0	100,0	10.00X8.00	3	8,6	DIN371	6H	B

Please check availability in current price and stock-list

## MTP-N002



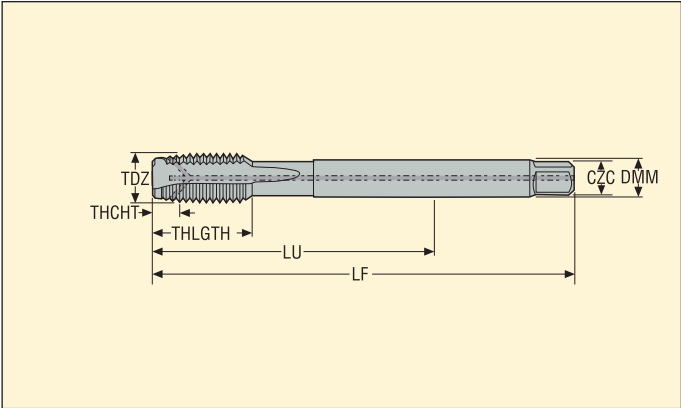
- For cutting data see page(s) 171
- Coating: BRIGHT
- Substrate: HSS-E



Designation	TDZ	Pitch		Dimensions in mm					NOF	PHDR	BSG	TCTR	THCHT
		mm	TPI	DMM	LU	THLGH	LF	CZC					
MTP-M12X1.75ISO6H-TB-N002	M12	1,75	-	9,0	83,0	23,0	110,0	9.00X7.00	3	10,4	DIN376	6H	B
MTP-M14X2.00ISO6H-TB-N002	M14	2,00	-	11,0	81,0	25,0	110,0	11.00X9.00	4	12,1	DIN376	6H	B
MTP-M16X2.00ISO6H-TB-N002	M16	2,00	-	12,0	68,0	25,0	110,0	12.00X9.00	4	14,1	DIN376	6H	B

Please check availability in current price and stock-list

MTP-N002-A



- For cutting data see page(s) 171
- Coating: BRIGHT
- Substrate: HSS-PM
- Internal coolant

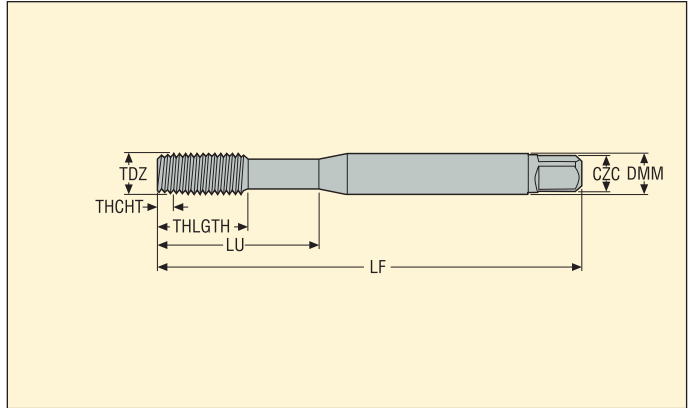
Designation	TDZ	Pitch		Dimensions in mm					NOF	PHDR	BSG	TCTR	THCHT
		mm	TPI	DMM	LU	THLGTH	LF	CZC					
<u>MTP-M12X1.75ISO6H-TB-N002-A</u>	M12	1,75	–	9,0	83,0	23,0	110,0	9.00X7.00	3	10,4	DIN376	6H	B
<u>MTP-M14X2.00ISO6H-TB-N002-A</u>	M14	2,00	–	11,0	81,0	25,0	110,0	11.00X9.00	4	12,1	DIN376	6H	B
<u>MTP-M16X2.00ISO6H-TB-N002-A</u>	M16	2,00	–	12,0	68,0	25,0	110,0	12.00X9.00	4	14,1	DIN376	6H	B

Please check availability in current price and stock-list

MF-V053



- Forming taps
- For cutting data see page(s) 172
- Coating: TiN
- Substrate: HSS-E



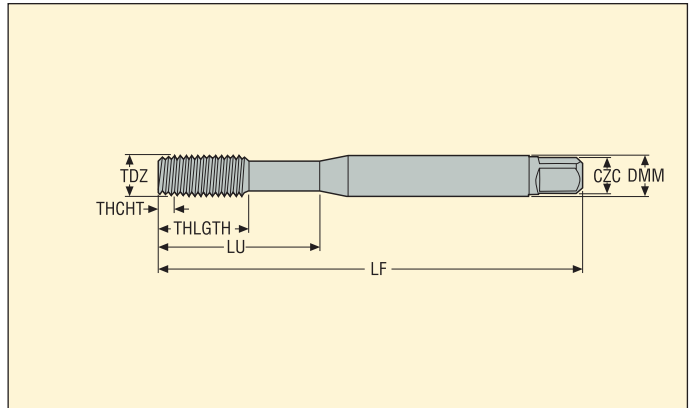
Designation	TDZ	Pitch		Dimensions in mm					NOF	PHDR	BSG	TCTR	THCHT
		mm	TPI	DMM	LU	THLGTH	LF	CXC					
MF-M3X0.50ISO6HX-XE-V053	M3	0,50	–	3,5	18,0	9,0	56,0	3.50X2.70	–	2,8	DIN2174	6HX	E
MF-M4X0.70ISO6HX-XE-V053	M4	0,70	–	4,5	21,0	12,0	63,0	4.50X3.40	–	3,7	DIN2174	6HX	E
MF-M5X0.80ISO6HX-XE-V053	M5	0,80	–	6,0	25,0	13,0	70,0	6.00X4.90	–	4,65	DIN2174	6HX	E
MF-M6X1.00ISO6HX-XE-V053	M6	1,00	–	6,0	30,0	15,0	80,0	6.00X4.90	–	5,55	DIN2174	6HX	E
MF-M8X1.25ISO6HX-XE-V053	M8	1,25	–	8,0	35,0	18,0	90,0	8.00X6.20	–	7,45	DIN2174	6HX	E
MF-M10X1.50ISO6HX-XE-V053	M10	1,50	–	10,0	39,0	20,0	100,0	10.00X8.00	–	9,35	DIN2174	6HX	E

Please check availability in current price and stock-list

## MF-V054



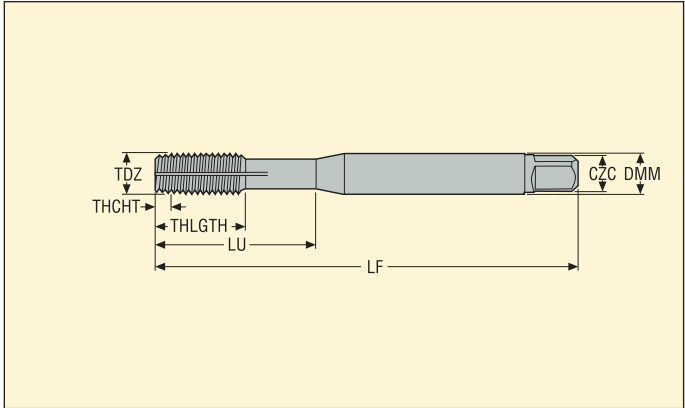
- Forming taps
- For cutting data see page(s) 172
- Coating: TiN
- Substrate: HSS-E



Designation	TDZ	Pitch		Dimensions in mm					NOF	PHDR	BSG	TCTR	THCHT
		mm	TPI	DMM	LU	THLGTH	LF	CZC					
MF-M1X0.25ISO5HX-XC-V054	M1	0.25	-	2.5	20,0	5.5	40,0	2.50X2.10	-	0.89	DIN2174	5HX	C
MF-M1.1X0.25ISO5HX-XC-V054	M1.1	0.25	-	2.5	20,0	5.5	40,0	2.50X2.10	-	0.99	DIN2174	5HX	C
MF-M1.2X0.25ISO5HX-XC-V054	M1.2	0.25	-	2.5	20,0	5.5	40,0	2.50X2.10	-	1.09	DIN2174	5HX	C
MF-M1.4X0.30ISO5HX-XC-V054	M1.4	0.30	-	2.5	20,0	7,0	40,0	2.50X2.10	-	1.27	DIN2174	5HX	C
MF-M1.6X0.35ISO6HX-XC-V054	M1.6	0.35	-	2.5	20,0	8,0	40,0	2.50X2.10	-	1.45	DIN2174	6HX	C
MF-M1.7X0.35ISO6HX-XC-V054	M1.7	0.35	-	2.5	20,0	8,0	40,0	2.50X2.10	-	1.55	DIN2174	6HX	C
MF-M1.8X0.35ISO6HX-XC-V054	M1.8	0.35	-	2.5	20,0	8,0	40,0	2.50X2.10	-	1.65	DIN2174	6HX	C
MF-M2X0.40ISO6HX-XC-V054	M2	0.40	-	2.8	11,0	6,0	45,0	2.80X2.10	-	1.82	DIN2174	6HX	C
MF-M2.2X0.45ISO6HX-XC-V054	M2.2	0.45	-	2.8	12,0	7,0	45,0	2.80X2.10	-	2,0	DIN2174	6HX	C
MF-M2.3X0.40ISO6HX-XC-V054	M2.3	0.40	-	2.8	12,0	7,0	45,0	2.80X2.10	-	2,12	DIN2174	6HX	C
MF-M2.5X0.45ISO6HX-XC-V054	M2.5	0.45	-	2.8	14,0	8,0	50,0	2.80X2.10	-	2,3	DIN2174	6HX	C
MF-M2.6X0.45ISO6HX-XC-V054	M2.6	0.45	-	2.8	14,0	8,0	50,0	2.80X2.10	-	2,4	DIN2174	6HX	C

Please check availability in current price and stock-list

## MF-V055



- Forming taps
- With channels for lubrication
- For cutting data see page(s) 172
- Coating: TiN
- Substrate: HSS-E

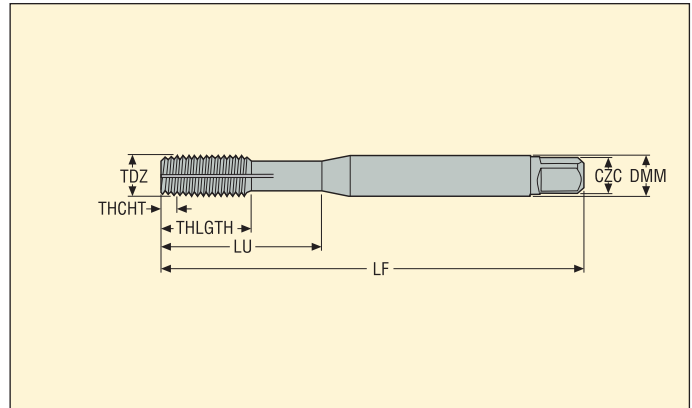
Designation	TDZ	Pitch		Dimensions in mm					NOF	PHDR	BSG	TCTR	THCHT
		mm	TPI	DMM	LU	THLGTH	LF	CZC					
MF-M3X0.50ISO6HX-XC-V055	M3	0,50	–	3,5	18,0	9,0	56,0	3.50X2.70	–	2,8	DIN2174	6HX	C
MF-M4X0.70ISO6HX-XC-V055	M4	0,70	–	4,5	21,0	12,0	63,0	4.50X3.40	–	3,7	DIN2174	6HX	C
MF-M5X0.80ISO6HX-XC-V055	M5	0,80	–	6,0	25,0	13,0	70,0	6.00X4.90	–	4,65	DIN2174	6HX	C
MF-M6X1.00ISO6HX-XC-V055	M6	1,00	–	6,0	30,0	15,0	80,0	6.00X4.90	–	5,55	DIN2174	6HX	C
MF-M7X1.00ISO6HX-XC-V055	M7	1,00	–	7,0	30,0	15,0	80,0	7.00X5.50	–	6,55	DIN2174	6HX	C
MF-M8X1.25ISO6HX-XC-V055	M8	1,25	–	8,0	35,0	18,0	90,0	8.00X6.20	–	7,45	DIN2174	6HX	C
MF-M10X1.50ISO6HX-XC-V055	M10	1,50	–	10,0	39,0	20,0	100,0	10.00X8.00	–	9,35	DIN2174	6HX	C
MF-M12X1.75ISO6HX-XC-V055	M12	1,75	–	9,0	83,0	23,0	110,0	9.00X7.00	–	11,2	DIN2174	6HX	C
MF-M14X2.00ISO6HX-XC-V055	M14	2,00	–	11,0	81,0	25,0	110,0	11.00X9.00	–	13,1	DIN2174	6HX	C
MF-M16X2.00ISO6HX-XC-V055	M16	2,00	–	12,0	68,0	25,0	110,0	12.00X9.00	–	15,1	DIN2174	6HX	C
MF-M20X2.50ISO6HX-XC-V055	M20	2,50	–	16,0	95,0	30,0	140,0	16.00X12.00	–	18,9	DIN2174	6HX	C
MF-M24X3.00ISO6HX-XC-V055	M24	3,00	–	18,0	113,0	36,0	160,0	18.00X14.50	–	22,65	DIN2174	6HX	C
MF-M27X3.00ISO6HX-XC-V055	M27	3,00	–	20,0	97,0	36,0	160,0	20.00X16.00	–	25,65	DIN2174	6HX	C
MF-M30X3.50ISO6HX-XC-V055	M30	3,50	–	22,0	115,0	40,0	180,0	22.00X18.00	–	28,45	DIN2174	6HX	C
MF-M33X3.50ISO6HX-XC-V055	M33	3,50	–	25,0	113,0	40,0	180,0	25.00X20.00	–	31,45	DIN2174	6HX	C
MF-M36X4.00ISO6HX-XC-V055	M36	4,00	–	28,0	131,0	50,0	200,0	28.00X22.00	–	34,23	DIN2174	6HX	C
MF-M39X4.00ISO6HX-XC-V055	M39	4,00	–	32,0	102,0	50,0	200,0	32.00X24.00	–	37,23	DIN2174	6HX	C
MF-M42X4.50ISO6HX-XC-V055	M42	4,50	–	32,0	102,0	50,0	200,0	32.00X24.00	–	40,0	DIN2174	6HX	C
MF-M48X5.00ISO6HX-XC-V055	M48	5,00	–	36,0	147,0	60,0	250,0	36.00X29.00	–	45,8	DIN2174	6HX	C

Please check availability in current price and stock-list

## MF-V056



- Forming taps
- With channels for lubrication
- For cutting data see page(s) 172
- Coating: TiN
- Substrate: HSS-E



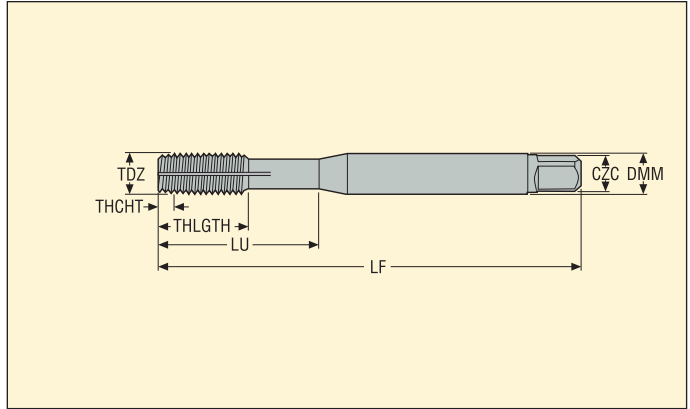
Designation	TDZ	Pitch		Dimensions in mm					NOF	PHDR	BSG	TCTR	THCHT
		mm	TPI	DMM	LU	THLGTH	LF	CZC					
MF-4-40UNC-XC-V056	UNC4-40	–	40	3,5	18,0	9,0	56,0	3.50X2.70	–	2,6	DIN2184-1	2BX	C
MF-6-32UNC-XC-V056	UNC6-32	–	32	4,0	20,0	11,0	56,0	4.00X3.00	–	3,2	DIN2184-1	2BX	C
MF-8-32UNC-XC-V056	UNC8-32	–	32	4,5	21,0	12,0	63,0	4.50X3.40	–	3,8	DIN2184-1	2BX	C
MF-10-24UNC-XC-V056	UNC10-24	–	24	6,0	25,0	13,0	70,0	6.00X4.90	–	4,4	DIN2184-1	2BX	C
MF-12-24UNC-XC-V056	UNC12-24	–	24	6,0	30,0	14,0	80,0	6.00X4.90	–	5,0	DIN2184-1	2BX	C
MF-1/4-20UNC-XC-V056	UNC1/4-20	–	20	7,0	30,0	15,0	80,0	7.00X5.50	–	5,8	DIN2184-1	2BX	C
MF-5/16-18UNC-XC-V056	UNC5/16-18	–	18	8,0	35,0	18,0	90,0	8.00X6.20	–	7,3	DIN2184-1	2BX	C
MF-3/8-16UNC-XC-V056	UNC3/8-16	–	16	10,0	39,0	20,0	100,0	10.00X8.00	–	8,8	DIN2184-1	2BX	C
MF-7/16-14UNC-XC-V056	UNC7/16-14	–	14	8,0	77,0	20,0	100,0	8.00X6.20	–	10,3	DIN2184-1	2BX	C
MF-1/2-13UNC-XC-V056	UNC1/2-13	–	13	9,0	83,0	23,0	110,0	9.00X7.00	–	11,9	DIN2184-1	2BX	C
MF-5/8-11UNC-XC-V056	UNC5/8-11	–	11	12,0	68,0	25,0	110,0	12.00X9.00	–	14,85	DIN2184-1	2BX	C
MF-3/4-10UNC-XC-V056	UNC3/4-10	–	10	14,0	81,0	30,0	125,0	14.00X11.00	–	17,93	DIN2184-1	2BX	C
MF-7/8-9UNC-XC-V056	UNC7/8-9	–	9	18,0	93,0	34,0	140,0	18.00X14.50	–	20,98	DIN2184-1	2BX	C
MF-1-8UNC-XC-V056	UNC1-8	–	8	18,0	113,0	38,0	160,0	18.00X14.50	–	24,0	DIN2184-1	2BX	C

Please check availability in current price and stock-list

## MF-V057



- Forming taps
- With channels for lubrication
- For cutting data see page(s) 172
- Coating: TiN
- Substrate: HSS-E

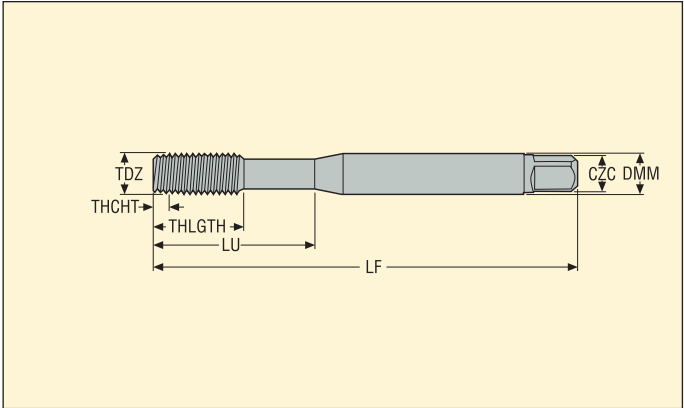


Designation	TDZ	Pitch		Dimensions in mm					NOF	PHDR	BSG	TCTR	THCHT
		mm	TPI	DMM	LU	THLGTH	LF	CZC					
<b>MF-10-32UNF-XC-V057</b>	UNF10-32	-	32	6,0	25,0	13,0	70,0	6.00X4.90	-	4,5	DIN2184-1	2BX	C
<b>MF-1/4-28UNF-XC-V057</b>	UNF1/4-28	-	28	7,0	30,0	15,0	80,0	7.00X5.50	-	6,0	DIN2184-1	2BX	C
<b>MF-5/16-24UNF-XC-V057</b>	UNF5/16-24	-	24	8,0	35,0	18,0	90,0	8.00X6.20	-	7,5	DIN2184-1	2BX	C
<b>MF-3/8-24UNF-XC-V057</b>	UNF3/8-24	-	24	10,0	39,0	20,0	100,0	10.00X8.00	-	9,1	DIN2184-1	2BX	C
<b>MF-7/16-20UNF-XC-V057</b>	UNF7/16-20	-	20	8,0	77,0	20,0	100,0	8.00X6.20	-	10,6	DIN2184-1	2BX	C
<b>MF-1/2-20UNF-XC-V057</b>	UNF1/2-20	-	20	9,0	83,0	23,0	110,0	9.00X7.00	-	12,1	DIN2184-1	2BX	C
<b>MF-5/8-18UNF-XC-V057</b>	UNF5/8-18	-	18	12,0	68,0	25,0	110,0	12.00X9.00	-	15,25	DIN2184-1	2BX	C
<b>MF-3/4-16UNF-XC-V057</b>	UNF3/4-16	-	16	14,0	81,0	30,0	125,0	14.00X11.00	-	18,35	DIN2184-1	2BX	C
<b>MF-1-12UNF-XC-V057</b>	UNF1-12	-	12	18,0	113,0	38,0	160,0	18.00X14.50	-	24,46	DIN2184-1	2BX	C

Please check availability in current price and stock-list



### MF-V058



- Forming taps
- For cutting data see page(s) 172
- Coating: TiN
- Substrate: HSS-E

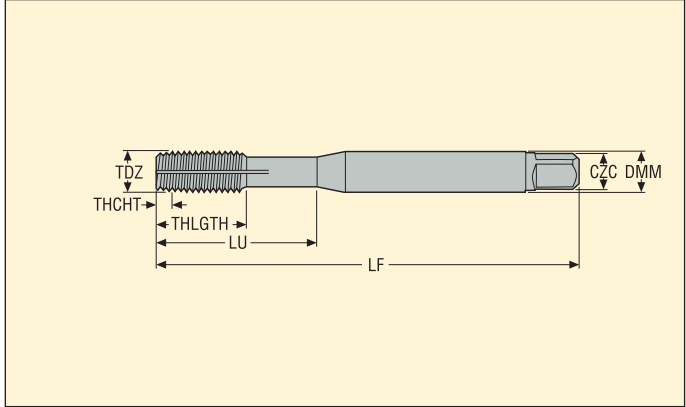
Designation	TDZ	Pitch		Dimensions in mm					NOF	PHDR	BSG	TCTR	THCHT
		mm	TPI	DMM	LU	THLGTH	LF	CZC					
MF-M3X0.50ISO6GX-XC-V058	M3	0,50	–	3,5	18,0	9,0	56,0	3.50X2.70	–	2,8	DIN2174	6GX	C
MF-M3.5X0.60ISO6GX-XC-V058	M3.5	0,60	–	4,0	20,0	11,0	56,0	4.00X3.00	–	3,2	DIN2174	6GX	C
MF-M4X0.70ISO6GX-XC-V058	M4	0,70	–	4,5	21,0	12,0	63,0	4.50X3.40	–	3,7	DIN2174	6GX	C
MF-M5X0.80ISO6GX-XC-V058	M5	0,80	–	6,0	25,0	13,0	70,0	6.00X4.90	–	4,65	DIN2174	6GX	C
MF-M6X1.00ISO6GX-XC-V058	M6	1,00	–	6,0	30,0	15,0	80,0	6.00X4.90	–	5,55	DIN2174	6GX	C
MF-M8X1.25ISO6GX-XC-V058	M8	1,25	–	8,0	35,0	18,0	90,0	8.00X6.20	–	7,45	DIN2174	6GX	C
MF-M10X1.50ISO6GX-XC-V058	M10	1,50	–	10,0	39,0	20,0	100,0	10.00X8.00	–	9,35	DIN2174	6GX	C
MF-M12X1.75ISO6GX-XC-V058	M12	1,75	–	9,0	83,0	23,0	110,0	9.00X7.00	–	11,2	DIN2174	6GX	C

Please check availability in current price and stock-list

MF-V059



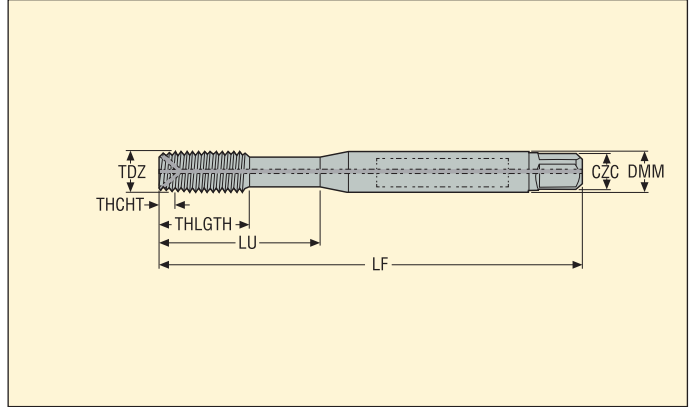
- Forming taps
- With channels for lubrication
- For cutting data see page(s) 172
- Coating: TIN
- Substrate: HSS-E



Designation	TDZ	Pitch		Dimensions in mm					NOF	PHDR	BSG	TCTR	THCHT
		mm	TPI	DMM	LU	THLGTH	LF	CZC					
MF-1/8-28G-XC-V059	G1/8-28	-	28	7,0	67,0	20,0	90,0	7.00X5.50	-	9,3	DIN2189	NORMAL-X	C
MF-1/4-19G-XC-V059	G1/4-19	-	19	11,0	71,0	21,0	100,0	11.00X9.00	-	12,5	DIN2189	NORMAL-X	C
MF-3/8-19G-XC-V059	G3/8-19	-	19	12,0	58,0	21,0	100,0	12.00X9.00	-	16,0	DIN2189	NORMAL-X	C
MF-1/2-14G-XC-V059	G1/2-14	-	14	16,0	80,0	24,0	125,0	16.00X12.00	-	20,0	DIN2189	NORMAL-X	C
MF-5/8-14G-XC-V059	G5/8-14	-	14	18,0	78,0	24,0	125,0	18.00X14.50	-	22,0	DIN2189	NORMAL-X	C

Please check availability in current price and stock-list

## MF-V060-A

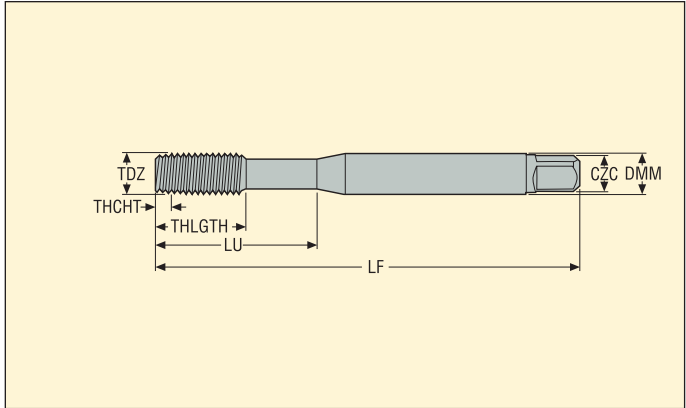


- Forming taps
- For cutting data see page(s) 172
- Coating: TiN
- Substrate: HSS-E
- Internal coolant

Designation	TDZ	Pitch		Dimensions in mm					NOF	PHDR	BSG	TCTR	THCHT
		mm	TPI	DMM	LU	THLGH	LF	CZC					
MF-M5X0.80ISO6HX-XC-V060-A	M5	0,80	–	6,0	21,0	13,0	70,0	6.00X4.90	–	4,65	DIN2174	6HX	C
MF-M6X1.00ISO6HX-XC-V060-A	M6	1,00	–	6,0	26,0	15,0	80,0	6.00X4.90	–	5,55	DIN2174	6HX	C
MF-M8X1.25ISO6HX-XC-V060-A	M8	1,25	–	8,0	30,0	18,0	90,0	8.00X6.20	–	7,45	DIN2174	6HX	C
MF-M10X1.50ISO6HX-XC-V060-A	M10	1,50	–	10,0	33,0	20,0	100,0	10.00X8.00	–	9,35	DIN2174	6HX	C
MF-M12X1.75ISO6HX-XC-V060-A	M12	1,75	–	9,0	83,0	23,0	110,0	9.00X7.00	–	11,2	DIN2174	6HX	C
MF-M14X2.00ISO6HX-XC-V060-A	M14	2,00	–	11,0	81,0	25,0	110,0	11.00X9.00	–	13,1	DIN2174	6HX	C
MF-M16X2.00ISO6HX-XC-V060-A	M16	2,00	–	12,0	68,0	25,0	110,0	12.00X9.00	–	15,1	DIN2174	6HX	C
MF-M18X2.50ISO6HX-XC-V060-A	M18	2,50	–	14,0	81,0	30,0	125,0	14.00X11.00	–	16,9	DIN2174	6HX	C
MF-M20X2.50ISO6HX-XC-V060-A	M20	2,50	–	16,0	95,0	30,0	140,0	16.00X12.00	–	18,9	DIN2174	6HX	C
MF-M22X2.50ISO6HX-XC-V060-A	M22	2,50	–	18,0	93,0	34,0	140,0	18.00X14.50	–	20,9	DIN2174	6HX	C
MF-M24X3.00ISO6HX-XC-V060-A	M24	3,00	–	18,0	113,0	38,0	160,0	18.00X14.50	–	22,65	DIN2174	6HX	C
MF-M27X3.00ISO6HX-XC-V060-A	M27	3,00	–	20,0	97,0	38,0	160,0	20.00X16.00	–	25,65	DIN2174	6HX	C
MF-M30X3.50ISO6HX-XC-V060-A	M30	3,50	–	22,0	115,0	45,0	180,0	22.00X18.00	–	28,45	DIN2174	6HX	C
MF-M33X3.50ISO6HX-XC-V060-A	M33	3,50	–	25,0	113,0	50,0	180,0	25.00X20.00	–	31,45	DIN2174	6HX	C
MF-M36X4.00ISO6HX-XC-V060-A	M36	4,00	–	28,0	131,0	55,0	200,0	28.00X22.00	–	34,23	DIN2174	6HX	C
MF-M39X4.00ISO6HX-XC-V060-A	M39	4,00	–	32,0	102,0	60,0	200,0	32.00X24.00	–	37,23	DIN2174	6HX	C
MF-M42X4.50ISO6HX-XC-V060-A	M42	4,50	–	32,0	102,0	60,0	200,0	32.00X24.00	–	40,0	DIN2174	6HX	C
MF-M48X5.00ISO6HX-XC-V060-A	M48	5,00	–	36,0	147,0	60,0	250,0	36.00X29.00	–	45,8	DIN2174	6HX	C

Please check availability in current price and stock-list

## MF-V063

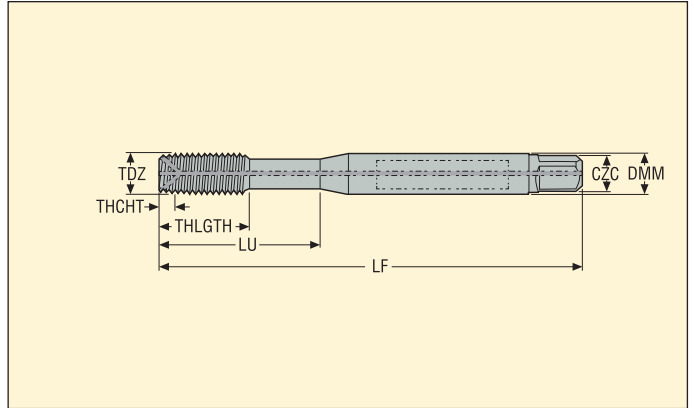


- Forming taps
- For cutting data see page(s) 172
- Coating: TiN
- Substrate: HSS-E

Designation	TDZ	Pitch		Dimensions in mm					NOF	PHDR	BSG	TCTR	THCHT
		mm	TPI	DMM	LU	THLGTH	LF	CZC					
MF-M5X0.50ISO6HX-XC-V063	MF5X0.5	0,50	-	6,0	25,0	13,0	70,0	6.00X4.90	-	4,8	DIN2174	6HX	C
MF-M6X0.75ISO6HX-XC-V063	MF6X0.75	0,75	-	6,0	30,0	15,0	80,0	6.00X4.90	-	5,65	DIN2174	6HX	C
MF-M7X0.75ISO6HX-XC-V063	MF7X0.75	0,75	-	7,0	30,0	15,0	80,0	7.00X5.50	-	6,65	DIN2174	6HX	C
MF-M8X0.75ISO6HX-XC-V063	MF8X0.75	0,75	-	6,0	57,0	18,0	80,0	6.00X4.90	-	7,65	DIN2174	6HX	C
MF-M8X1.00ISO6HX-XC-V063	MF8X1.0	1,00	-	6,0	67,0	18,0	90,0	6.00X4.90	-	7,55	DIN2174	6HX	C
MF-M10X1.00ISO6HX-XC-V063	MF10X1.0	1,00	-	7,0	75,0	20,0	100,0	7.00X5.50	-	9,55	DIN2174	6HX	C
MF-M10X1.25ISO6HX-XC-V063	MF10X1.25	1,25	-	7,0	75,0	20,0	100,0	7.00X5.50	-	9,45	DIN2174	6HX	C
MF-M12X1.00ISO6HX-XC-V063	MF12X1.0	1,00	-	9,0	73,0	23,0	100,0	9.00X7.00	-	11,55	DIN2174	6HX	C
MF-M12X1.25ISO6HX-XC-V063	MF12X1.25	1,25	-	9,0	73,0	23,0	100,0	9.00X7.00	-	11,45	DIN2174	6HX	C
MF-M12X1.50ISO6HX-XC-V063	MF12X1.5	1,50	-	9,0	73,0	23,0	100,0	9.00X7.00	-	11,35	DIN2174	6HX	C
MF-M14X1.00ISO6HX-XC-V063	MF14X1.0	1,00	-	11,0	71,0	21,0	100,0	11.00X9.00	-	13,55	DIN2174	6HX	C
MF-M14X1.25ISO6HX-XC-V063	MF14X1.25	1,25	-	11,0	71,0	21,0	100,0	11.00X9.00	-	13,45	DIN2174	6HX	C
MF-M14X1.50ISO6HX-XC-V063	MF14X1.5	1,50	-	11,0	71,0	21,0	100,0	11.00X9.00	-	13,35	DIN2174	6HX	C
MF-M16X1.50ISO6HX-XC-V063	MF16X1.5	1,50	-	12,0	58,0	21,0	100,0	12.00X9.00	-	15,35	DIN2174	6HX	C

Please check availability in current price and stock-list

## MF-V063-A

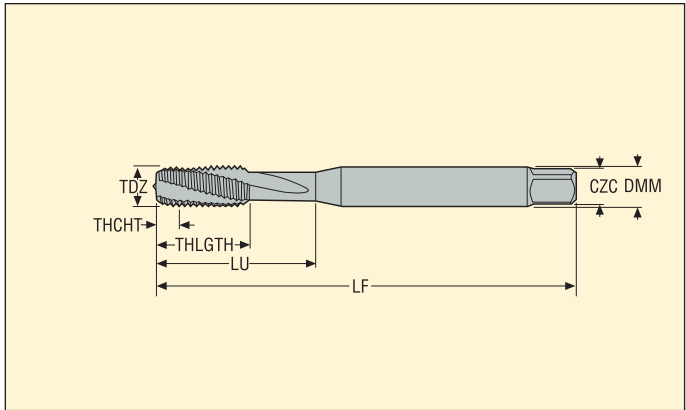


- Forming taps
- For cutting data see page(s) 172
- Coating: TiN
- Substrate: HSS-E
- Internal coolant

Designation	TDZ	Pitch		Dimensions in mm				CZC	NOF	PHDR	BSG	TCTR	THCHT
		mm	TPI	DMM	LU	THLGTH	LF						
MF-M5X0.50ISO6HX-XC-V063-A	MF5X0.5	0,50	-	6,0	25,0	13,0	70,0	6.00X4.90	-	4,8	DIN2174	6HX	C
MF-M6X0.75ISO6HX-XC-V063-A	MF6X0.75	0,75	-	6,0	30,0	15,0	80,0	6.00X4.90	-	5,65	DIN2174	6HX	C
MF-M8X0.75ISO6HX-XC-V063-A	MF8X0.75	0,75	-	6,0	57,0	15,0	80,0	6.00X4.90	-	7,65	DIN2174	6HX	C
MF-M8X1.00ISO6HX-XC-V063-A	MF8X1.0	1,00	-	6,0	67,0	18,0	90,0	6.00X4.90	-	7,55	DIN2174	6HX	C
MF-M10X0.75ISO6HX-XC-V063-A	MF10X0.75	0,75	-	7,0	67,0	18,0	90,0	7.00X5.50	-	9,65	DIN2174	6HX	C
MF-M10X1.00ISO6HX-XC-V063-A	MF10X1.0	1,00	-	7,0	67,0	18,0	90,0	7.00X5.50	-	9,55	DIN2174	6HX	C
MF-M10X1.25ISO6HX-XC-V063-A	MF10X1.25	1,25	-	7,0	77,0	20,0	100,0	7.00X5.50	-	9,45	DIN2174	6HX	C
MF-M12X1.00ISO6HX-XC-V063-A	MF12X1.0	1,00	-	9,0	73,0	21,0	100,0	9.00X7.00	-	11,55	DIN2174	6HX	C
MF-M12X1.25ISO6HX-XC-V063-A	MF12X1.25	1,25	-	9,0	73,0	21,0	100,0	9.00X7.00	-	11,45	DIN2174	6HX	C
MF-M12X1.50ISO6HX-XC-V063-A	MF12X1.5	1,50	-	9,0	73,0	21,0	100,0	9.00X7.00	-	11,35	DIN2174	6HX	C
MF-M14X1.00ISO6HX-XC-V063-A	MF14X1.0	1,00	-	11,0	71,0	21,0	100,0	11.00X9.00	-	13,55	DIN2174	6HX	C
MF-M14X1.25ISO6HX-XC-V063-A	MF14X1.25	1,25	-	11,0	71,0	21,0	100,0	11.00X9.00	-	13,45	DIN2174	6HX	C
MF-M14X1.50ISO6HX-XC-V063-A	MF14X1.5	1,50	-	11,0	71,0	21,0	100,0	11.00X9.00	-	13,35	DIN2174	6HX	C
MF-M16X1.00ISO6HX-XC-V063-A	MF16X1.0	1,00	-	12,0	58,0	21,0	100,0	12.00X9.00	-	15,55	DIN2174	6HX	C
MF-M16X1.50ISO6HX-XC-V063-A	MF16X1.5	1,50	-	12,0	58,0	21,0	100,0	12.00X9.00	-	15,35	DIN2174	6HX	C

Please check availability in current price and stock-list

## MTH-V011



- For cutting data see page(s) 173
- Coating: TiN
- Substrate: HSS-E

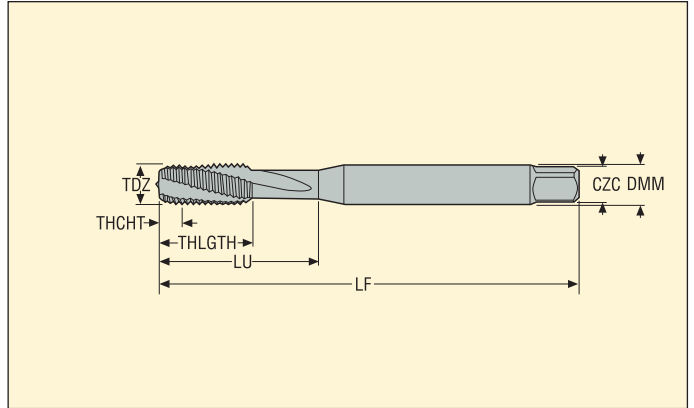
Designation	TDZ	Pitch		Dimensions in mm					NOF	PHDR	BSG	TCTR	THCHT
		mm	TPI	DMM	LU	THLGTH	LF	CZC					
MTH-M8X0.75ISO6HX-BC-V011	MF8X0.75	0,75	-	6,0	57,0	13,0	80,0	6.00X4.90	3	7,3	DIN374	6HX	C
MTH-M8X1.00ISO6HX-BC-V011	MF8X1.0	1,00	-	6,0	67,0	13,0	90,0	6.00X4.90	3	7,1	DIN374	6HX	C
MTH-M10X1.00ISO6HX-BC-V011	MF10X1.0	1,00	-	7,0	67,0	13,0	90,0	7.00X5.50	3	9,1	DIN374	6HX	C
MTH-M10X1.25ISO6HX-BC-V011	MF10X1.25	1,25	-	7,0	77,0	15,0	100,0	7.00X5.50	3	8,8	DIN374	6HX	C
MTH-M12X1.00ISO6HX-BC-V011	MF12X1.0	1,00	-	9,0	73,0	15,0	100,0	9.00X7.00	3	11,1	DIN374	6HX	C
MTH-M12X1.25ISO6HX-BC-V011	MF12X1.25	1,25	-	9,0	73,0	15,0	100,0	9.00X7.00	3	10,8	DIN374	6HX	C
MTH-M12X1.50ISO6HX-BC-V011	MF12X1.5	1,50	-	9,0	73,0	15,0	100,0	9.00X7.00	3	10,6	DIN374	6HX	C
MTH-M14X1.00ISO6HX-BC-V011	MF14X1.0	1,00	-	11,0	71,0	15,0	100,0	11.00X9.00	3	13,1	DIN374	6HX	C
MTH-M14X1.25ISO6HX-BC-V011	MF14X1.25	1,25	-	11,0	71,0	15,0	100,0	11.00X9.00	3	12,8	DIN374	6HX	C
MTH-M14X1.50ISO6HX-BC-V011	MF14X1.5	1,50	-	11,0	71,0	15,0	100,0	11.00X9.00	3	12,6	DIN374	6HX	C
MTH-M16X1.00ISO6HX-BC-V011	MF16X1.0	1,00	-	12,0	58,0	15,0	100,0	12.00X9.00	3	15,1	DIN374	6HX	C
MTH-M16X1.50ISO6HX-BC-V011	MF16X1.5	1,50	-	12,0	58,0	15,0	100,0	12.00X9.00	3	14,6	DIN374	6HX	C
MTH-M18X1.00ISO6HX-BC-V011	MF18X1.0	1,00	-	14,0	66,0	17,0	110,0	14.00X11.00	3	17,1	DIN374	6HX	C
MTH-M18X1.50ISO6HX-BC-V011	MF18X1.5	1,50	-	14,0	66,0	17,0	110,0	14.00X11.00	3	16,6	DIN374	6HX	C
MTH-M20X1.00ISO6HX-BC-V011	MF20X1.0	1,00	-	16,0	80,0	17,0	125,0	16.00X12.00	3	19,1	DIN374	6HX	C
MTH-M20X1.50ISO6HX-BC-V011	MF20X1.5	1,50	-	16,0	80,0	17,0	125,0	16.00X12.00	3	18,6	DIN374	6HX	C
MTH-M20X2.00ISO6HX-BC-V011	MF20X2.0	2,00	-	16,0	80,0	17,0	125,0	16.00X12.00	3	18,1	DIN374	6HX	C
MTH-M22X1.50ISO6HX-BC-V011	MF22X1.5	1,50	-	18,0	78,0	17,0	125,0	18.00X14.50	4	20,5	DIN374	6HX	C
MTH-M24X1.50ISO6HX-BC-V011	MF24X1.5	1,50	-	18,0	93,0	20,0	140,0	18.00X14.50	4	22,5	DIN374	6HX	C
MTH-M24X2.00ISO6HX-BC-V011	MF24X2.0	2,00	-	18,0	93,0	20,0	140,0	18.00X14.50	4	22,0	DIN374	6HX	C

Please check availability in current price and stock-list

## MTH-V015



- For cutting data see page(s) 173
- Coating: TiN
- Substrate: HSS-E



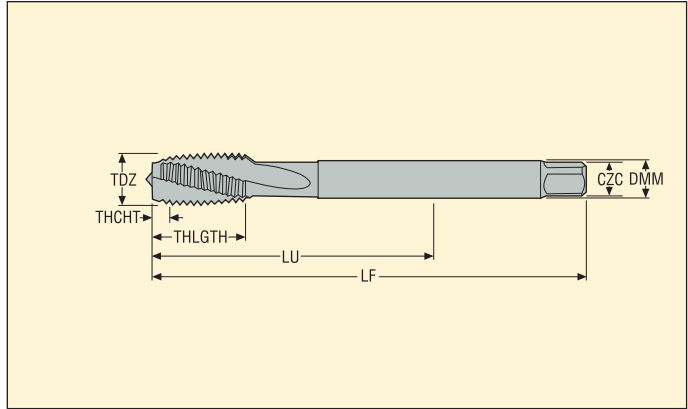
Designation	TDZ	Pitch		Dimensions in mm					NOF	PHDR	BSG	TCTR	THCHT
		mm	TPI	DMM	LU	THLGTH	LF	CZC					
MTH-M3X0.50ISO6H-BC-V015	M3	0,50	-	3,5	18,0	9,0	56,0	3.50X2.70	3	2,5	DIN371	6H	C
MTH-M4X0.70ISO6H-BC-V015	M4	0,70	-	4,5	21,0	11,0	63,0	4.50X3.40	3	3,4	DIN371	6H	C
MTH-M5X0.80ISO6H-BC-V015	M5	0,80	-	6,0	25,0	13,0	70,0	6.00X4.90	3	4,3	DIN371	6H	C
MTH-M6X1.00ISO6H-BC-V015	M6	1,00	-	6,0	30,0	15,0	80,0	6.00X4.90	3	5,1	DIN371	6H	C
MTH-M8X1.25ISO6H-BC-V015	M8	1,25	-	8,0	35,0	18,0	90,0	8.00X6.20	3	6,8	DIN371	6H	C
MTH-M10X1.50ISO6H-BC-V015	M10	1,50	-	10,0	39,0	20,0	100,0	10.00X8.00	3	8,6	DIN371	6H	C

Please check availability in current price and stock-list

## MTH-V016



- For cutting data see page(s) 173
- Coating: TiN
- Substrate: HSS-E



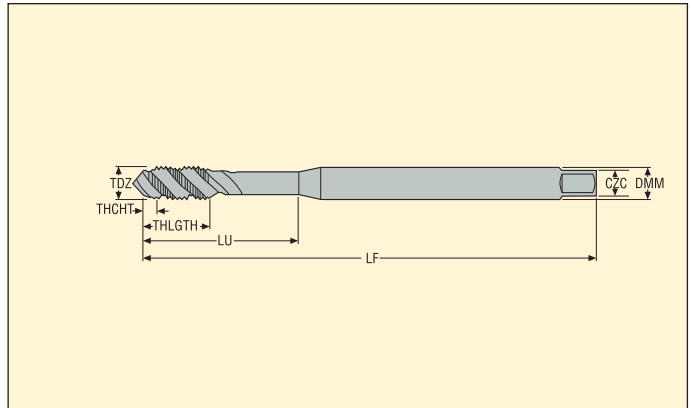
Designation	TDZ	Pitch		Dimensions in mm					NOF	PHDR	BSG	TCTR	THCHT
		mm	TPI	DMM	LU	THLGTH	LF	CZC					
MTH-M12X1.75ISO6H-BC-V016	M12	1,75	–	9,0	83,0	23,0	110,0	9.00X7.00	3	10,4	DIN376	6H	C
MTH-M14X2.00ISO6H-BC-V016	M14	2,00	–	11,0	81,0	25,0	110,0	11.00X9.00	3	12,1	DIN376	6H	C
MTH-M16X2.00ISO6H-BC-V016	M16	2,00	–	12,0	68,0	25,0	110,0	12.00X9.00	3	14,1	DIN376	6H	C
MTH-M18X2.50ISO6H-BC-V016	M18	2,50	–	14,0	81,0	30,0	125,0	14.00X11.00	3	15,7	DIN376	6H	C
MTH-M20X2.50ISO6H-BC-V016	M20	2,50	–	16,0	95,0	30,0	140,0	16.00X12.00	3	17,7	DIN376	6H	C
MTH-M22X2.50ISO6H-BC-V016	M22	2,50	–	18,0	93,0	34,0	140,0	18.00X14.50	4	19,7	DIN376	6H	C
MTH-M24X3.00ISO6H-BC-V016	M24	3,00	–	18,0	113,0	38,0	160,0	18.00X14.50	4	21,0	DIN376	6H	C
MTH-M27X3.00ISO6H-BC-V016	M27	3,00	–	20,0	97,0	38,0	160,0	20.00X16.00	4	24,0	DIN376	6H	C
MTH-M30X3.50ISO6H-BC-V016	M30	3,50	–	22,0	115,0	45,0	180,0	22.00X18.00	4	26,5	DIN376	6H	C
MTH-M33X3.50ISO6H-BC-V016	M33	3,50	–	25,0	113,0	50,0	180,0	25.00X20.00	4	29,5	DIN376	6H	C
MTH-M36X4.00ISO6H-BC-V016	M36	4,00	–	28,0	131,0	55,0	200,0	28.00X22.00	4	32,0	DIN376	6H	C

Please check availability in current price and stock-list



MTH-V025

Long version



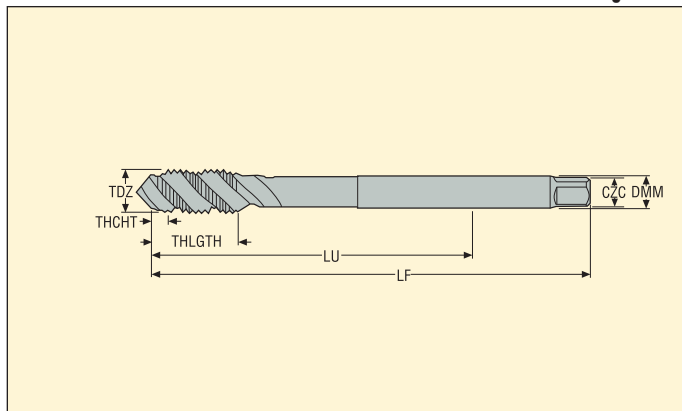
- For cutting data see page(s) 173
- Coating: TiN
- Substrate: HSS-E

Designation	TDZ	Pitch		Dimensions in mm					NOF	PHDR	BSG	TCTR	THCHT
		mm	TPI	DMM	LU	THLGH	LF	CZC					
MTH-M3X0.50ISO6H-BC-V025	M3	0,50	-	3,5	18,0	6,0	112,0	3.50X2.70	3	2,5	DIN371	6H	C
MTH-M4X0.70ISO6H-BC-V025	M4	0,70	-	4,5	21,0	7,0	112,0	4.50X3.40	3	3,4	DIN371	6H	C
MTH-M5X0.80ISO6H-BC-V025	M5	0,80	-	6,0	25,0	8,0	125,0	6.00X4.90	3	4,3	DIN371	6H	C
MTH-M6X1.00ISO6H-BC-V025	M6	1,00	-	6,0	30,0	10,0	125,0	6.00X4.90	3	5,1	DIN371	6H	C
MTH-M8X1.25ISO6H-BC-V025	M8	1,25	-	8,0	40,0	13,0	140,0	8.00X6.20	3	6,8	DIN371	6H	C
MTH-M10X1.50ISO6H-BC-V025	M10	1,50	-	10,0	50,0	15,0	160,0	10.00X8.00	3	8,6	DIN371	6H	C

Please check availability in current price and stock-list

MTH-V026

Long version



- For cutting data see page(s) 173
- Coating: TIN
- Substrate: HSS-E

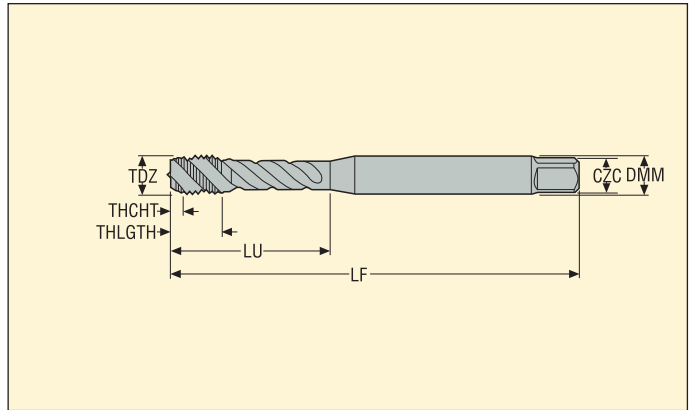
Designation	TDZ	Pitch		Dimensions in mm					NOF	PHDR	BSG	TCTR	THCHT
		mm	TPI	DMM	LU	THLGTH	LF	CZC					
MTH-M12X1.75ISO6H-BC-V026	M12	1,75	-	9,0	153,0	16,0	180,0	9.00X7.00	3	10,4	DIN376	6H	C
MTH-M14X2.00ISO6H-BC-V026	M14	2,00	-	11,0	151,0	20,0	180,0	11.00X9.00	3	12,1	DIN376	6H	C
MTH-M16X2.00ISO6H-BC-V026	M16	2,00	-	12,0	158,0	20,0	200,0	12.00X9.00	3	14,1	DIN376	6H	C
MTH-M20X2.50ISO6H-BC-V026	M20	2,50	-	16,0	179,0	25,0	224,0	16.00X12.00	4	17,7	DIN376	6H	C

Please check availability in current price and stock-list

## MTH-V028



- For cutting data see page(s) 173
- Coating: TiN
- Substrate: HSS-PM



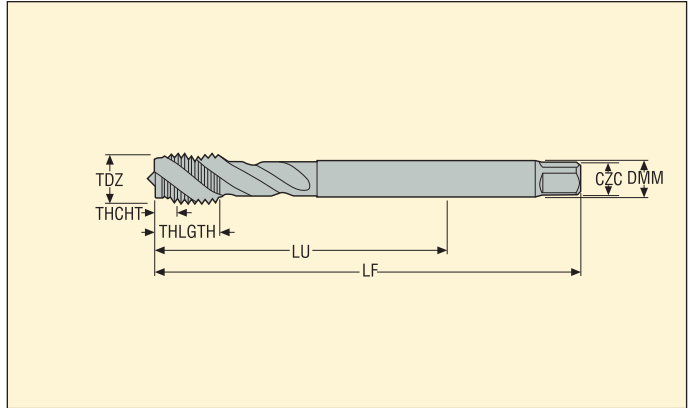
Designation	TDZ	Pitch		Dimensions in mm					NOF	PHDR	BSG	TCTR	THCHT
		mm	TPI	DMM	LU	THLGTH	LF	CZC					
MTH-M3X0.50ISO6G-BC-V028	M3	0,50	-	3,5	18,0	5,9	56,0	3,50X2.70	3	2,5	DIN371	6G	C
MTH-M4X0.70ISO6G-BC-V028	M4	0,70	-	4,5	21,0	6,7	63,0	4,50X3.40	3	3,4	DIN371	6G	C
MTH-M5X0.80ISO6G-BC-V028	M5	0,80	-	6,0	25,0	7,7	70,0	6,00X4.90	3	4,3	DIN371	6G	C
MTH-M6X1.00ISO6G-BC-V028	M6	1,00	-	6,0	31,0	10,0	80,0	6,00X4.90	3	5,1	DIN371	6G	C
MTH-M8X1.25ISO6G-BC-V028	M8	1,25	-	8,0	35,0	11,6	90,0	8,00X6.20	3	6,8	DIN371	6G	C
MTH-M10X1.50ISO6G-BC-V028	M10	1,50	-	10,0	39,0	15,1	100,0	10,00X8.00	3	8,6	DIN371	6G	C

Please check availability in current price and stock-list

## MTH-V029



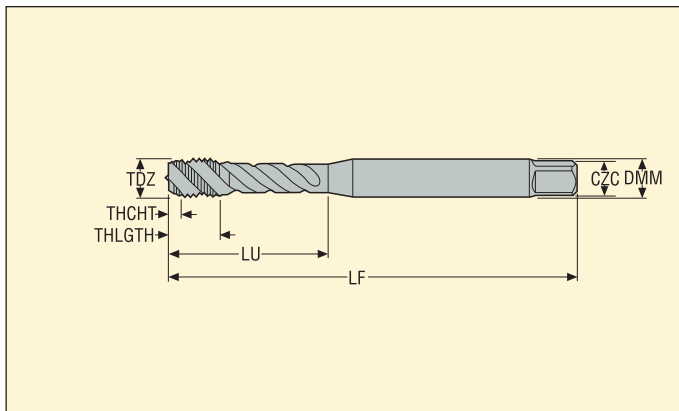
- For cutting data see page(s) 173
- Coating: TIN
- Substrate: HSS-PM ≤ M16, HSS-E > M16



Designation	TDZ	Pitch		Dimensions in mm					NOF	PHDR	BSG	TCTR	THCHT
		mm	TPI	DMM	LU	THLGTH	LF	CZC					
<u>MTH-M12X1.75ISO6G-BC-V029</u>	M12	1,75	–	9,0	83,0	16,0	110,0	9.00X7.00	3	10,4	DIN376	6G	C
<u>MTH-M14X2.00ISO6G-BC-V029</u>	M14	2,00	–	11,0	81,0	20,0	110,0	11.00X9.00	3	12,1	DIN376	6G	C
<u>MTH-M16X2.00ISO6G-BC-V029</u>	M16	2,00	–	12,0	68,0	20,0	110,0	12.00X9.00	4	14,1	DIN376	6G	C
<u>MTH-M20X2.50ISO6G-BC-V029</u>	M20	2,50	–	16,0	95,0	25,0	140,0	16.00X12.00	4	17,7	DIN376	6G	C

Please check availability in current price and stock-list

## MTH-V030

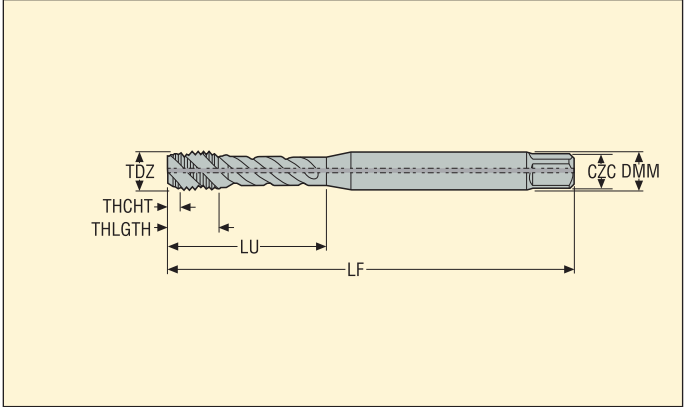


- For cutting data see page(s) 173
- Coating: TiN
- Substrate: HSS-E ≤ M2,5, HSS-PM >M2,5

Designation	TDZ	Pitch		Dimensions in mm					NOF	PHDR	BSG	TCTR	THCHT
		mm	TPI	DMM	LU	THLGTH	LF	CZC					
MTH-M2X0.40ISO6H-BC-V030	M2	0,40	-	2,8	9,0	4,0	45,0	2.80X2.10	3	1,6	DIN371	6H	C
MTH-M2.5X0.45ISO6H-BC-V030	M2.5	0,45	-	2,8	12,5	4,0	50,0	2.80X2.10	3	2,1	DIN371	6H	C
MTH-M3X0.50ISO6H-BC-V030	M3	0,50	-	3,5	18,0	5,9	56,0	3.50X2.70	3	2,5	DIN371	6H	C
MTH-M3.5X0.60ISO6H-BC-V030	M3.5	0,60	-	4,0	20,0	6,3	56,0	4.00X3.00	3	2,9	DIN371	6H	C
MTH-M4X0.70ISO6H-BC-V030	M4	0,70	-	4,5	21,0	6,7	63,0	4.50X3.40	3	3,4	DIN371	6H	C
MTH-M5X0.80ISO6H-BC-V030	M5	0,80	-	6,0	21,0	7,7	70,0	6.00X4.90	3	4,3	DIN371	6H	C
MTH-M6X1.00ISO6H-BC-V030	M6	1,00	-	6,0	31,0	10,0	80,0	6.00X4.90	3	5,1	DIN371	6H	C
MTH-M7X1.00ISO6H-BC-V030	M7	1,00	-	7,0	31,0	10,0	80,0	7.00X5.50	3	6,1	DIN371	6H	C
MTH-M8X1.25ISO6H-BC-V030	M8	1,25	-	8,0	35,0	11,6	90,0	8.00X6.20	3	6,8	DIN371	6H	C
MTH-M10X1.50ISO6H-BC-V030	M10	1,50	-	10,0	39,0	15,1	100,0	10.00X8.00	3	8,6	DIN371	6H	C

Please check availability in current price and stock-list

## MTH-V030-A

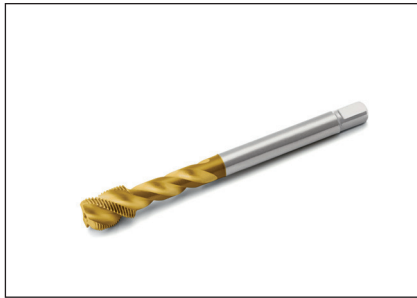


- For cutting data see page(s) 173
- Coating: TIN
- Substrate: HSS-PM
- Internal coolant

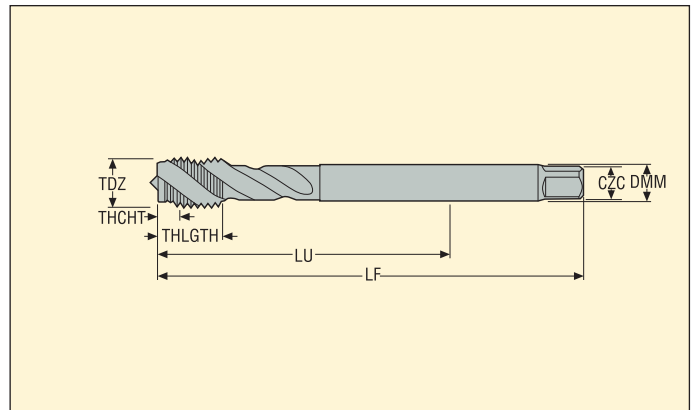
Designation	TDZ	Pitch		Dimensions in mm					NOF	PHDR	BSG	TCTR	THCHT
		mm	TPI	DMM	LU	THLGTH	LF	CZC					
MTH-M4X0.70ISO6H-BC-V030-A	M4	0,70	–	4,5	21,0	6,7	63,0	4.50X3.40	3	3,4	DIN371	6H	C
MTH-M5X0.80ISO6H-BC-V030-A	M5	0,80	–	6,0	25,0	7,7	70,0	6.00X4.90	3	4,3	DIN371	6H	C
MTH-M6X1.00ISO6H-BC-V030-A	M6	1,00	–	6,0	30,0	10,0	80,0	6.00X4.90	3	5,1	DIN371	6H	C
MTH-M8X1.25ISO6H-BC-V030-A	M8	1,25	–	8,0	35,0	11,6	90,0	8.00X6.20	3	6,8	DIN371	6H	C
MTH-M10X1.50ISO6H-BC-V030-A	M10	1,50	–	10,0	39,0	15,1	100,0	10.00X8.00	3	8,6	DIN371	6H	C

Please check availability in current price and stock-list

## MTH-V033



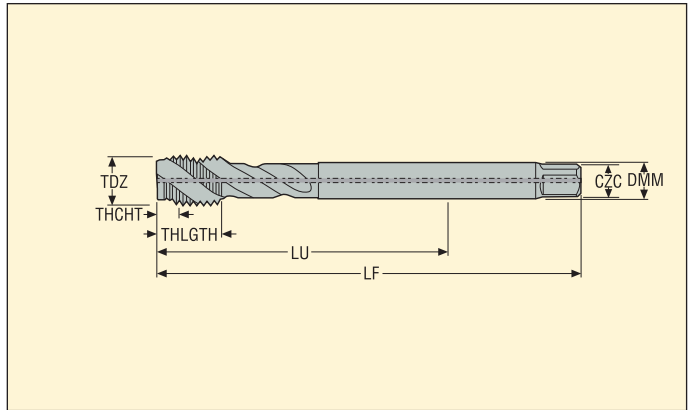
- For cutting data see page(s) 174
- Coating: TiN
- Substrate: HSS-PM ≤ M16, HSS-E > M16



Designation	TDZ	Pitch		Dimensions in mm					NOF	PHDR	BSG	TCTR	THCHT
		mm	TPI	DMM	LU	THLGTH	LF	CZC					
MTH-M6X1.00ISO6H-BC-V033	M6	1,00	-	4,5	59,0	10,0	80,0	4.50X3.40	3	5,1	DIN376	6H	C
MTH-M8X1.25ISO6H-BC-V033	M8	1,25	-	6,0	67,0	13,0	90,0	6.00X4.90	3	6,8	DIN376	6H	C
MTH-M10X1.50ISO6H-BC-V033	M10	1,50	-	7,0	77,0	15,0	100,0	7.00X5.50	3	8,6	DIN376	6H	C
MTH-M12X1.75ISO6H-BC-V033	M12	1,75	-	9,0	83,0	16,0	110,0	9.00X7.00	3	10,4	DIN376	6H	C
MTH-M14X2.00ISO6H-BC-V033	M14	2,00	-	11,0	81,0	20,0	110,0	11.00X9.00	3	12,1	DIN376	6H	C
MTH-M16X2.00ISO6H-BC-V033	M16	2,00	-	12,0	68,0	20,0	110,0	12.00X9.00	4	14,1	DIN376	6H	C
MTH-M18X2.50ISO6H-BC-V033	M18	2,50	-	14,0	81,0	25,0	125,0	14.00X11.00	4	15,7	DIN376	6H	C
MTH-M20X2.50ISO6H-BC-V033	M20	2,50	-	16,0	95,0	25,0	140,0	16.00X12.00	4	17,7	DIN376	6H	C
MTH-M22X2.50ISO6H-BC-V033	M22	2,50	-	18,0	93,0	25,0	140,0	18.00X14.50	4	19,7	DIN376	6H	C
MTH-M24X3.00ISO6H-BC-V033	M24	3,00	-	18,0	113,0	30,0	160,0	18.00X14.50	4	21,0	DIN376	6H	C
MTH-M27X3.00ISO6H-BC-V033	M27	3,00	-	20,0	97,0	30,0	160,0	20.00X16.00	4	24,0	DIN376	6H	C
MTH-M30X3.50ISO6H-BC-V033	M30	3,50	-	22,0	115,0	36,0	180,0	22.00X18.00	4	26,5	DIN376	6H	C
MTH-M33X3.50ISO6H-BC-V033	M33	3,50	-	25,0	113,0	36,0	180,0	25.00X20.00	4	29,5	DIN376	6H	C
MTH-M36X4.00ISO6H-BC-V033	M36	4,00	-	28,0	131,0	40,0	200,0	28.00X22.00	4	32,0	DIN376	6H	C
MTH-M39X4.00ISO6H-BC-V033	M39	4,00	-	32,0	102,0	40,0	200,0	32.00X24.00	4	35,0	DIN376	6H	C
MTH-M42X4.50ISO6H-BC-V033	M42	4,50	-	32,0	102,0	45,0	200,0	32.00X24.00	4	37,5	DIN376	6H	C
MTH-M48X5.00ISO6H-BC-V033	M48	5,00	-	36,0	147,0	50,0	250,0	36.00X29.00	4	43,0	DIN376	6H	C
MTH-M52X5.00ISO6H-BC-V033	M52	5,00	-	40,0	120,0	50,0	250,0	40.00X32.00	5	47,0	DIN376	6H	C
MTH-M56X5.50ISO6H-BC-V033	M56	5,50	-	40,0	120,0	55,0	250,0	40.00X32.00	5	50,5	DIN376	6H	C
MTH-M64X6.00ISO6H-BC-V033	M64	6,00	-	50,0	178,0	60,0	315,0	50.00X39.00	6	58,0	DIN376	6H	C

Please check availability in current price and stock-list

## MTH-V033-A



- For cutting data see page(s) 174
- Coating: TiN
- Substrate: HSS-PM ≤ M16, HSS-E > M16
- Internal coolant

Designation	TDZ	Pitch		Dimensions in mm					NOF	PHDR	BSG	TCTR	THCHT
		mm	TPI	DMM	LU	THLGTH	LF	CZC					
MTH-M12X1.75ISO6H-BC-V033-A	M12	1,75	–	9,0	83,0	16,0	110,0	9.00X7.00	3	10,4	DIN376	6H	C
MTH-M14X2.00ISO6H-BC-V033-A	M14	2,00	–	11,0	81,0	25,0	110,0	11.00X9.00	3	12,1	DIN376	6H	C
MTH-M16X2.00ISO6H-BC-V033-A	M16	2,00	–	12,0	68,0	20,0	110,0	12.00X9.00	4	14,1	DIN376	6H	C
MTH-M18X2.50ISO6H-BC-V033-A	M18	2,50	–	14,0	81,0	25,0	125,0	14.00X11.00	4	15,7	DIN376	6H	C
MTH-M20X2.50ISO6H-BC-V033-A	M20	2,50	–	16,0	95,0	25,0	140,0	16.00X12.00	4	17,7	DIN376	6H	C
MTH-M22X2.50ISO6H-BC-V033-A	M22	2,50	–	18,0	93,0	25,0	140,0	18.00X14.50	4	19,7	DIN376	6H	C
MTH-M24X3.00ISO6H-BC-V033-A	M24	3,00	–	18,0	113,0	30,0	160,0	18.00X14.50	4	21,0	DIN376	6H	C
MTH-M27X3.00ISO6H-BC-V033-A	M27	3,00	–	20,0	97,0	30,0	160,0	20.00X16.00	4	24,0	DIN376	6H	C
MTH-M30X3.50ISO6H-BC-V033-A	M30	3,50	–	22,0	115,0	36,0	180,0	22.00X18.00	4	26,5	DIN376	6H	C
MTH-M33X3.50ISO6H-BC-V033-A	M33	3,50	–	25,0	113,0	50,0	180,0	25.00X20.00	4	29,5	DIN376	6H	C
MTH-M36X4.00ISO6H-BC-V033-A	M36	4,00	–	28,0	131,0	55,0	200,0	28.00X22.00	4	32,0	DIN376	6H	C
MTH-M39X4.00ISO6H-BC-V033-A	M39	4,00	–	32,0	102,0	40,0	200,0	32.00X24.00	4	35,0	DIN376	6H	C
MTH-M42X4.50ISO6H-BC-V033-A	M42	4,50	–	32,0	102,0	45,0	200,0	32.00X24.00	4	37,5	DIN376	6H	C
MTH-M48X5.00ISO6H-BC-V033-A	M48	5,00	–	36,0	147,0	50,0	250,0	36.00X29.00	4	43,0	DIN376	6H	C
MTH-M52X5.00ISO6H-BC-V033-A	M52	5,00	–	40,0	120,0	50,0	250,0	40.00X32.00	5	47,0	DIN376	6H	C
MTH-M56X5.50ISO6H-BC-V033-A	M56	5,50	–	40,0	120,0	55,0	250,0	40.00X32.00	5	50,5	DIN376	6H	C
MTH-M64X6.00ISO6H-BC-V033-A	M64	6,00	–	50,0	178,0	60,0	315,0	50.00X39.00	6	58,0	DIN376	6H	C

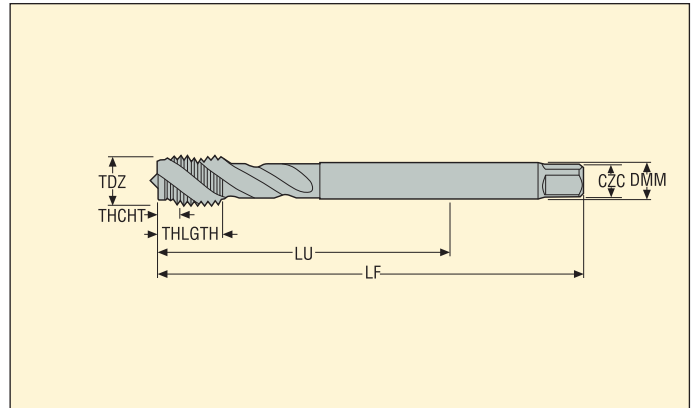
Please check availability in current price and stock-list



## MTH-V038



- For cutting data see page(s) 174
- Coating: TiN
- Substrate: HSS-PM ≤ M16, HSS-E >M16



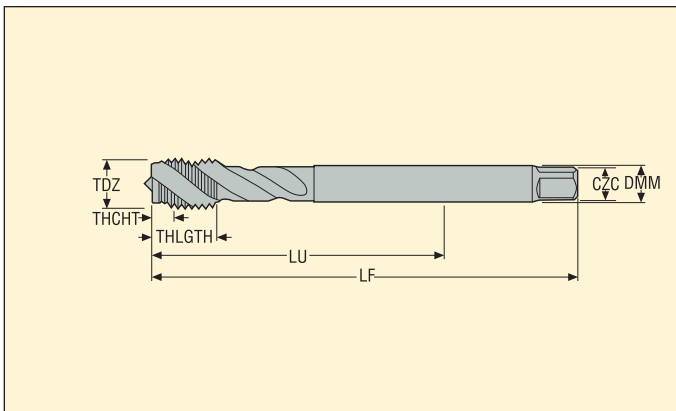
Designation	TDZ	Pitch		Dimensions in mm					NOF	PHDR	BSG	TCTR	THCHT
		mm	TPI	DMM	LU	THLGTH	LF	CZC					
MTH-M4X0.50ISO6H-BC-V038	MF4X0.5	0,50	-	2,8	43,0	6,8	63,0	2.80X2.10	3	3,5	DIN374	6H	C
MTH-M5X0.50ISO6H-BC-V038	MF5X0.5	0,50	-	3,5	49,0	8,2	70,0	3.50X2.70	3	4,5	DIN374	6H	C
MTH-M6X0.75ISO6H-BC-V038	MF6X0.75	0,75	-	4,5	59,0	10,0	80,0	4.50X3.40	3	5,3	DIN374	6H	C
MTH-M8X0.75ISO6H-BC-V038	MF8X0.75	0,75	-	6,0	57,0	13,0	80,0	6.00X4.90	3	7,3	DIN374	6H	C
MTH-M8X1.00ISO6H-BC-V038	MF8X1.0	1,00	-	6,0	67,0	13,0	90,0	6.00X4.90	3	7,1	DIN374	6H	C
MTH-M9X1.00ISO6H-BC-V038	MF9X1.0	1,00	-	7,0	67,0	17,0	90,0	7.00X5.50	3	8,1	DIN374	6H	C
MTH-M10X0.75ISO6H-BC-V038	MF10X0.75	0,75	-	7,0	67,0	13,0	90,0	7.00X5.50	3	9,3	DIN374	6H	C
MTH-M10X1.00ISO6H-BC-V038	MF10X1.0	1,00	-	7,0	67,0	13,0	90,0	7.00X5.50	3	9,1	DIN374	6H	C
MTH-M10X1.25ISO6H-BC-V038	MF10X1.25	1,25	-	7,0	77,0	15,0	100,0	7.00X5.50	3	8,8	DIN374	6H	C
MTH-M11X1.00ISO6H-BC-V038	MF11X1.0	1,00	-	8,0	63,0	18,0	90,0	8.00X6.20	3	10,1	DIN374	6H	C
MTH-M11X1.25ISO6H-BC-V038	MF11X1.25	1,25	-	8,0	63,0	22,0	90,0	8.00X6.20	3	9,8	DIN374	6H	C
MTH-M12X1.00ISO6H-BC-V038	MF12X1.0	1,00	-	9,0	73,0	15,0	100,0	9.00X7.00	3	11,1	DIN374	6H	C
MTH-M12X1.25ISO6H-BC-V038	MF12X1.25	1,25	-	9,0	73,0	15,0	100,0	9.00X7.00	3	10,8	DIN374	6H	C
MTH-M12X1.50ISO6H-BC-V038	MF12X1.5	1,50	-	9,0	73,0	15,0	100,0	9.00X7.00	3	10,6	DIN374	6H	C
MTH-M14X1.00ISO6H-BC-V038	MF14X1.0	1,00	-	11,0	71,0	15,0	100,0	11.00X9.00	3	13,1	DIN374	6H	C
MTH-M14X1.25ISO6H-BC-V038	MF14X1.25	1,25	-	11,0	71,0	15,0	100,0	11.00X9.00	3	12,8	DIN374	6H	C
MTH-M14X1.50ISO6H-BC-V038	MF14X1.5	1,50	-	11,0	71,0	15,0	100,0	11.00X9.00	3	12,6	DIN374	6H	C
MTH-M16X1.00ISO6H-BC-V038	MF16X1.0	1,00	-	12,0	58,0	15,0	100,0	12.00X9.00	4	15,1	DIN374	6H	C
MTH-M16X1.50ISO6H-BC-V038	MF16X1.5	1,50	-	12,0	58,0	15,0	100,0	12.00X9.00	4	14,6	DIN374	6H	C
MTH-M18X1.00ISO6H-BC-V038	MF18X1.0	1,00	-	14,0	66,0	17,0	110,0	14.00X11.00	4	17,1	DIN374	6H	C
MTH-M18X1.50ISO6H-BC-V038	MF18X1.5	1,50	-	14,0	66,0	17,0	110,0	14.00X11.00	4	16,6	DIN374	6H	C
MTH-M20X1.00ISO6H-BC-V038	MF20X1.0	1,00	-	16,0	80,0	17,0	125,0	16.00X12.00	4	19,1	DIN374	6H	C
MTH-M20X1.50ISO6H-BC-V038	MF20X1.5	1,50	-	16,0	80,0	17,0	125,0	16.00X12.00	4	18,6	DIN374	6H	C

Please check availability in current price and stock-list

## MTH-V038



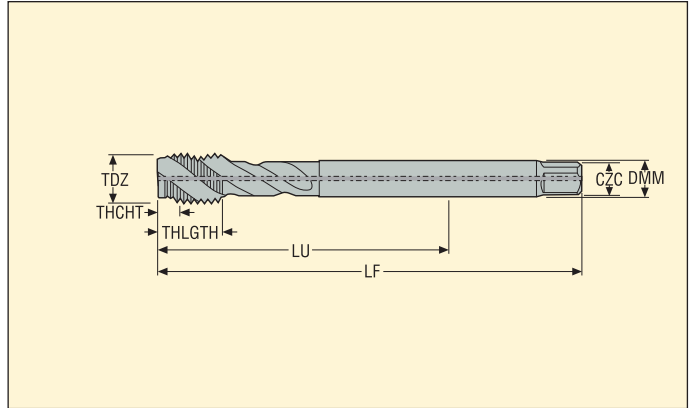
- For cutting data see page(s) 174
- Coating: TIN
- Substrate: HSS-E-PM



Designation	TDZ	Pitch		Dimensions in mm					NOF	PHDR	BSG	TCTR	THCHT
		mm	TPI	DMM	LU	THLGTH	LF	CZC					
MTH-M22X1.50ISO6H-BC-V038	MF22X1.5	1,50	-	18,0	78,0	17,0	125,0	18.00X14.50	4	20,5	DIN374	6H	C
MTH-M24X1.50ISO6H-BC-V038	MF24X1.5	1,50	-	18,0	93,0	20,0	140,0	18.00X14.50	4	22,5	DIN374	6H	C
MTH-M24X2.00ISO6H-BC-V038	MF24X2.0	2,00	-	18,0	93,0	20,0	140,0	18.00X14.50	4	22,0	DIN374	6H	C
MTH-M25X1.50ISO6H-BC-V038	MF25X1.5	1,50	-	18,0	93,0	20,0	140,0	18.00X14.50	4	23,5	DIN374	6H	C
MTH-M26X1.50ISO6H-BC-V038	MF26X1.5	1,50	-	18,0	93,0	20,0	140,0	18.00X14.50	4	24,5	DIN374	6H	C
MTH-M27X1.50ISO6H-BC-V038	MF27X1.5	1,50	-	20,0	77,0	20,0	140,0	20.00X16.00	4	25,5	DIN374	6H	C
MTH-M27X2.00ISO6H-BC-V038	MF27X2.0	2,00	-	20,0	77,0	20,0	140,0	20.00X16.00	4	25,0	DIN374	6H	C
MTH-M28X1.50ISO6H-BC-V038	MF28X1.5	1,50	-	20,0	77,0	20,0	140,0	20.00X16.00	4	26,5	DIN374	6H	C
MTH-M30X1.50ISO6H-BC-V038	MF30X1.5	1,50	-	22,0	85,0	20,0	150,0	22.00X18.00	4	28,5	DIN374	6H	C
MTH-M30X2.00ISO6H-BC-V038	MF30X2.0	2,00	-	22,0	85,0	20,0	150,0	22.00X18.00	4	28,0	DIN374	6H	C

Please check availability in current price and stock-list

## MTH-V038-A

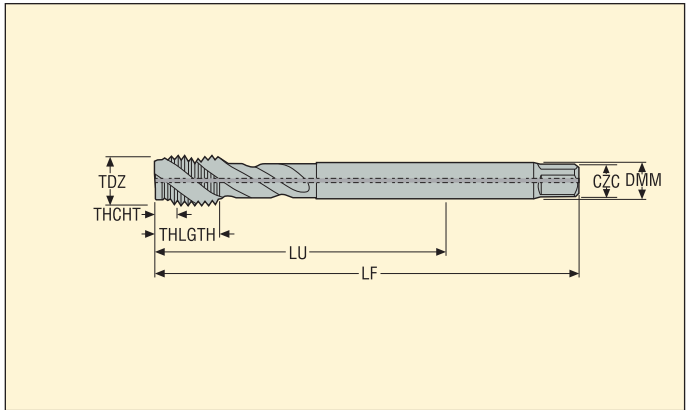


- For cutting data see page(s) 174
- Coating: TiN
- Substrate: HSS-PM ≤ M16, HSS-E > M16
- Internal coolant

Designation	TDZ	Pitch		Dimensions in mm					NOF	PHDR	BSG	TCTR	THCHT
		mm	TPI	DMM	LU	THLGTH	LF	CZC					
MTH-M6X0.75ISO6H-BC-V038-A	MF6X0.75	0,75	-	4,5	59,0	10,0	80,0	4.50X3.40	3	5,3	DIN374	6H	C
MTH-M8X0.75ISO6H-BC-V038-A	MF8X0.75	0,75	-	6,0	57,0	13,0	80,0	6.00X4.90	3	7,3	DIN374	6H	C
MTH-M8X1.00ISO6H-BC-V038-A	MF8X1.0	1,00	-	6,0	67,0	13,0	90,0	6.00X4.90	3	7,1	DIN374	6H	C
MTH-M10X0.75ISO6H-BC-V038-A	MF10X0.75	0,75	-	7,0	67,0	13,0	90,0	7.00X5.50	3	9,3	DIN374	6H	C
MTH-M10X1.00ISO6H-BC-V038-A	MF10X1.0	1,00	-	7,0	67,0	13,0	90,0	7.00X5.50	3	9,1	DIN374	6H	C
MTH-M10X1.25ISO6H-BC-V038-A	MF10X1.25	1,25	-	7,0	77,0	15,0	100,0	7.00X5.50	3	8,8	DIN374	6H	C
MTH-M12X1.00ISO6H-BC-V038-A	MF12X1.0	1,00	-	9,0	73,0	15,0	100,0	9.00X7.00	3	11,1	DIN374	6H	C
MTH-M12X1.25ISO6H-BC-V038-A	MF12X1.25	1,25	-	9,0	73,0	15,0	100,0	9.00X7.00	3	10,8	DIN374	6H	C
MTH-M12X1.50ISO6H-BC-V038-A	MF12X1.5	1,50	-	9,0	73,0	15,0	100,0	9.00X7.00	3	10,6	DIN374	6H	C
MTH-M14X1.00ISO6H-BC-V038-A	MF14X1.0	1,00	-	11,0	71,0	15,0	100,0	11.00X9.00	3	13,1	DIN374	6H	C
MTH-M14X1.25ISO6H-BC-V038-A	MF14X1.25	1,25	-	11,0	71,0	15,0	100,0	11.00X9.00	3	12,8	DIN374	6H	C
MTH-M14X1.50ISO6H-BC-V038-A	MF14X1.5	1,50	-	11,0	71,0	15,0	100,0	11.00X9.00	3	12,6	DIN374	6H	C
MTH-M16X1.00ISO6H-BC-V038-A	MF16X1.0	1,00	-	12,0	58,0	15,0	100,0	12.00X9.00	4	15,1	DIN374	6H	C
MTH-M16X1.50ISO6H-BC-V038-A	MF16X1.5	1,50	-	12,0	58,0	15,0	100,0	12.00X9.00	4	14,6	DIN374	6H	C
MTH-M18X1.00ISO6H-BC-V038-A	MF18X1.0	1,00	-	14,0	66,0	17,0	110,0	14.00X11.00	4	17,1	DIN374	6H	C
MTH-M18X1.50ISO6H-BC-V038-A	MF18X1.5	1,50	-	14,0	66,0	17,0	110,0	14.00X11.00	4	16,6	DIN374	6H	C
MTH-M20X1.00ISO6H-BC-V038-A	MF20X1.0	1,00	-	16,0	80,0	17,0	125,0	16.00X12.00	4	19,1	DIN374	6H	C
MTH-M20X1.50ISO6H-BC-V038-A	MF20X1.5	1,50	-	16,0	80,0	17,0	125,0	16.00X12.00	4	18,6	DIN374	6H	C
MTH-M22X1.50ISO6H-BC-V038-A	MF22X1.5	1,50	-	18,0	78,0	17,0	125,0	18.00X14.50	4	20,5	DIN374	6H	C
MTH-M24X1.50ISO6H-BC-V038-A	MF24X1.5	1,50	-	18,0	93,0	20,0	140,0	18.00X14.50	4	22,5	DIN374	6H	C
MTH-M24X2.00ISO6H-BC-V038-A	MF24X2.0	2,00	-	18,0	93,0	20,0	140,0	18.00X14.50	4	22,0	DIN374	6H	C
MTH-M25X1.50ISO6H-BC-V038-A	MF25X1.5	1,50	-	18,0	93,0	20,0	140,0	18.00X14.50	4	23,5	DIN374	6H	C
MTH-M26X1.50ISO6H-BC-V038-A	MF26X1.5	1,50	-	18,0	93,0	20,0	140,0	18.00X14.50	4	24,5	DIN374	6H	C
MTH-M27X1.50ISO6H-BC-V038-A	MF27X1.5	1,50	-	20,0	77,0	20,0	140,0	20.00X16.00	4	25,5	DIN374	6H	C

Please check availability in current price and stock-list

## MTH-V038-A

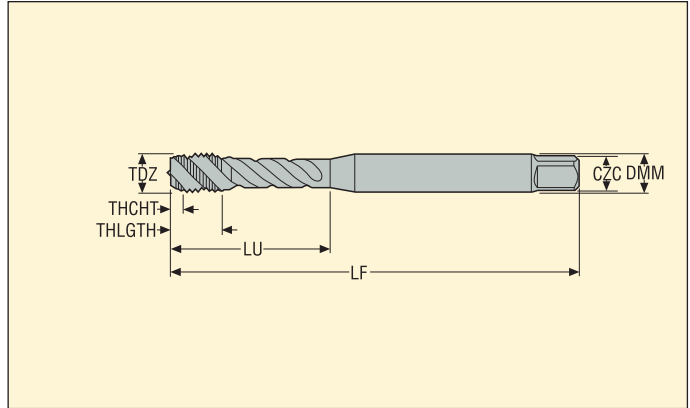


- For cutting data see page(s) 174
- Coating: TiN
- Substrate: HSS-PM ≤ M16, HSS-E > M16
- Internal coolant

Designation	TDZ	Pitch		Dimensions in mm					NOF	PHDR	BSG	TCTR	THCHT
		mm	TPI	DMM	LU	THLGTH	LF	CXC					
MTH-M27X2.00ISO6H-BC-V038-A	MF27X2.0	2,00	-	20,0	77,0	20,0	140,0	20.00X16.00	4	25,0	DIN374	6H	C
MTH-M28X1.50ISO6H-BC-V038-A	MF28X1.5	1,50	-	20,0	77,0	20,0	140,0	20.00X16.00	4	26,5	DIN374	6H	C
MTH-M30X1.50ISO6H-BC-V038-A	MF30X1.5	1,50	-	22,0	85,0	20,0	150,0	22.00X18.00	4	28,5	DIN374	6H	C
MTH-M30X2.00ISO6H-BC-V038-A	MF30X2.0	2,00	-	22,0	85,0	20,0	150,0	22.00X18.00	4	28,0	DIN374	6H	C

Please check availability in current price and stock-list

## MTH-V040

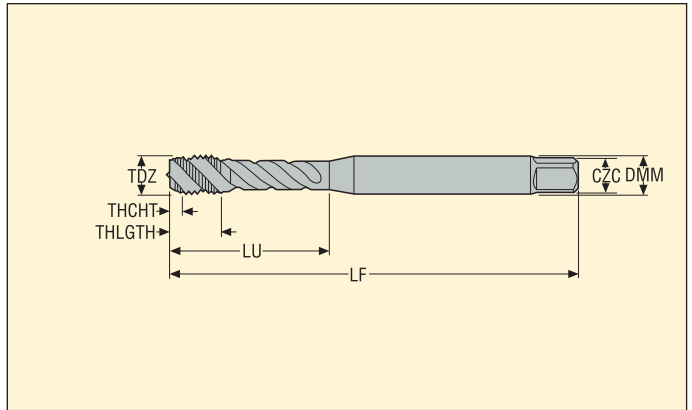


- For cutting data see page(s) 174
- Coating: TiN
- Substrate: HSS-PM

Designation	TDZ	Pitch		Dimensions in mm					NOF	PHDR	BSG	TCTR	THCHT
		mm	TPI	DMM	LU	THLGTH	LF	CZC					
MTH-4-40UNC-BC-V040	UNC4-40	–	40	3,5	18,0	5,6	56,0	3,50X2,70	3	2,35	DIN2184-1	2B	C
MTH-5-40UNC-BC-V040	UNC5-40	–	40	3,5	18,0	5,6	56,0	3,50X2,70	3	2,65	DIN2184-1	2B	C
MTH-6-32UNC-BC-V040	UNC6-32	–	32	4,0	20,0	6,5	56,0	4,00X3,00	3	2,85	DIN2184-1	2B	C
MTH-8-32UNC-BC-V040	UNC8-32	–	32	4,5	21,0	6,5	63,0	4,50X3,40	3	3,5	DIN2184-1	2B	C
MTH-10-24UNC-BC-V040	UNC10-24	–	24	6,0	25,0	7,3	70,0	6,00X4,90	3	3,9	DIN2184-1	2B	C
MTH-12-24UNC-BC-V040	UNC12-24	–	24	6,0	30,0	10,0	80,0	6,00X4,90	3	4,5	DIN2184-1	2B	C
MTH-1/4-20UNC-BC-V040	UNC1/4-20	–	20	7,0	30,0	10,0	80,0	7,00X5,50	3	5,2	DIN2184-1	2B	C
MTH-5/16-18UNC-BC-V040	UNC5/16-18	–	18	8,0	35,0	12,0	90,0	8,00X6,20	3	6,7	DIN2184-1	2B	C
MTH-3/8-16UNC-BC-V040	UNC3/8-16	–	16	10,0	39,0	15,0	100,0	10,00X8,00	3	8,1	DIN2184-1	2B	C
MTH-7/16-14UNC-BC-V040	UNC7/16-14	–	14	8,0	75,75	15,0	100,0	8,00X6,20	3	9,5	DIN2184-1	2B	C
MTH-1/2-13UNC-BC-V040	UNC1/2-13	–	13	9,0	82,75	18,0	110,0	9,00X7,00	3	10,9	DIN2184-1	2B	C
MTH-5/8-11UNC-BC-V040	UNC5/8-11	–	11	12,0	67,75	20,0	110,0	12,00X9,00	4	13,8	DIN2184-1	2B	C

Please check availability in current price and stock-list

## MTH-V043



- For cutting data see page(s) 174
- Coating: TiN
- Substrate: HSS-PM

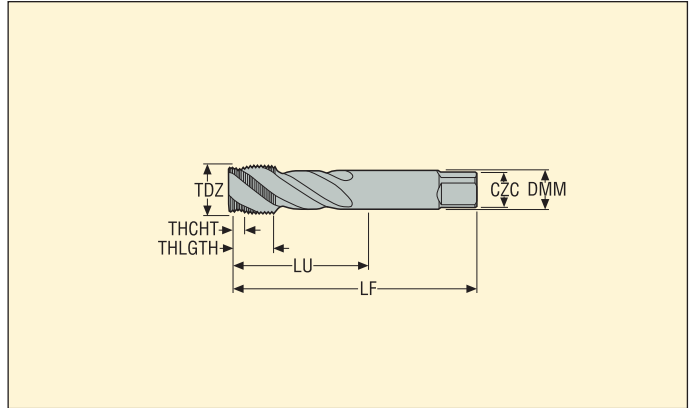
Designation	TDZ	Pitch		Dimensions in mm					NOF	PHDR	BSG	TCTR	THCHT
		mm	TPI	DMM	LU	THLGTH	LF	CZC					
MTH-8-36UNF-BC-V043	UNF8-36	–	36	4,5	21,0	6,5	63,0	4.50X3.40	3	3,5	DIN2184-1	2B	C
MTH-10-32UNF-BC-V043	UNF10-32	–	32	6,0	25,0	7,3	70,0	6.00X4.90	3	4,1	DIN2184-1	2B	C
MTH-1/4-28UNF-BC-V043	UNF1/4-28	–	28	7,0	30,0	10,0	80,0	7.00X5.50	3	5,5	DIN2184-1	2B	C
MTH-5/16-24UNF-BC-V043	UNF5/16-24	–	24	8,0	35,0	12,0	90,0	8.00X6.20	3	7,0	DIN2184-1	2B	C
MTH-3/8-24UNF-BC-V043	UNF3/8-24	–	24	10,0	39,0	15,0	100,0	10.00X8.00	3	8,6	DIN2184-1	2B	C
MTH-7/16-20UNF-BC-V043	UNF7/16-20	–	20	8,0	75,75	15,0	100,0	8.00X6.20	3	10,0	DIN2184-1	2B	C
MTH-1/2-20UNF-BC-V043	UNF1/2-20	–	20	9,0	83,0	18,0	110,0	9.00X7.00	3	11,5	DIN2184-1	2B	C
MTH-5/8-18UNF-BC-V043	UNF5/8-18	–	18	12,0	67,75	20,0	110,0	12.00X9.00	4	14,6	DIN2184-1	2B	C
MTH-9/16-18UNF-BC-V043	UNF9/16-18	–	18	11,0	71,0	20,0	100,0	11.00X9.00	4	13,0	DIN2184-1	2B	C
MTH-3/4-16UNF-BC-V043	UNF3/4-16	–	16	14,0	77,5	25,0	125,0	14.00X11.00	4	17,6	DIN2184-1	2B	C
MTH-7/8-14UNF-BC-V043	UNF7/8-14	–	14	18,0	93,0	25,0	140,0	18.00X14.50	4	20,6	DIN2184-1	2B	C
MTH-1-12UNF-BC-V043	UNF1-12	–	12	18,0	113,0	30,0	160,0	18.00X14.50	4	23,5	DIN2184-1	2B	C

Please check availability in current price and stock-list

## MTH-V045



- For cutting data see page(s) 174
- Coating: TiN
- Substrate: HSS-PM ≤ G3/8, HSS-E > G3/8

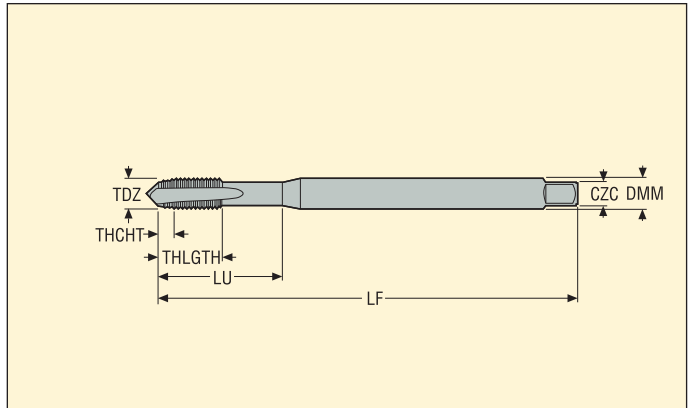
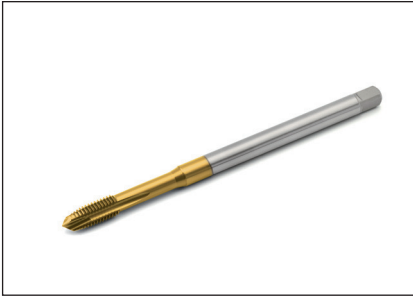


Designation	TDZ	Pitch		Dimensions in mm					NOF	PHDR	BSG	TCTR	THCHT
		mm	TPI	DMM	LU	THLGTH	LF	CZC					
MTH-1/8-28G-BC-V045	G1/8-28	-	28	7,0	67,0	13,0	90,0	7.00X5.50	3	8,8	DIN5156	NORMAL	C
MTH-1/4-19G-BC-V045	G1/4-19	-	19	11,0	71,0	15,0	100,0	11.00X9.00	3	11,8	DIN5156	NORMAL	C
MTH-3/8-19G-BC-V045	G3/8-19	-	19	12,0	58,0	15,0	100,0	12.00X9.00	4	15,3	DIN5156	NORMAL	C
MTH-1/2-14G-BC-V045	G1/2-14	-	14	16,0	80,0	18,0	125,0	16.00X12.00	4	19,1	DIN5156	NORMAL	C
MTH-5/8-14G-BC-V045	G5/8-14	-	14	18,0	78,0	18,0	125,0	18.00X14.50	4	21,1	DIN5156	NORMAL	C
MTH-3/4-14G-BC-V045	G3/4-14	-	14	20,0	77,0	20,0	140,0	20.00X16.00	4	24,6	DIN5156	NORMAL	C
MTH-7/8-14G-BC-V045	G7/8-14	-	14	22,0	85,0	20,0	150,0	22.00X18.00	4	28,3	DIN5156	NORMAL	C
MTH-1-11G-BC-V045	G1-11	-	11	25,0	93,0	22,0	160,0	25.00X20.00	4	30,9	DIN5156	NORMAL	C
MTH-1.1/8-11G-BC-V045	G1.1/8-11	-	11	28,0	101,0	22,0	170,0	28.00X22.00	4	35,5	DIN5156	NORMAL	C
MTH-1.1/4-11G-BC-V045	G1.1/4-11	-	11	32,0	72,0	22,0	170,0	32.00X24.00	4	39,5	DIN5156	NORMAL	C
MTH-1.1/2-11G-BC-V045	G1.1/2-11	-	11	36,0	87,0	23,0	190,0	36.00X29.00	4	45,4	DIN5156	NORMAL	C

Please check availability in current price and stock-list

MTP-V001

Long version



- For cutting data see page(s) 175
- Coating: TIN
- Substrate: HSS-E

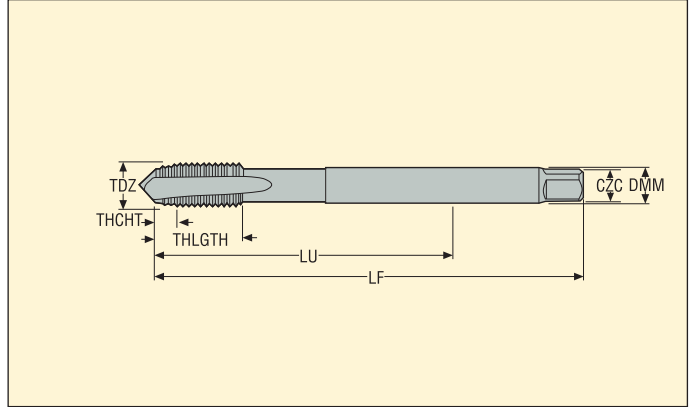
Designation	TDZ	Pitch		Dimensions in mm					NOF	PHDR	BSG	TCTR	THCHT
		mm	TPI	DMM	LU	THLGTH	LF	CZC					
MTP-M3X0.50ISO6H-TB-V001	M3	0,50	-	3,5	18,0	9,0	112,0	3.50X2.70	3	2,5	DIN371	6H	B
MTP-M4X0.70ISO6H-TB-V001	M4	0,70	-	4,5	21,0	12,0	112,0	4.50X3.40	3	3,4	DIN371	6H	B
MTP-M5X0.80ISO6H-TB-V001	M5	0,80	-	6,0	25,0	13,0	125,0	6.00X4.90	3	4,3	DIN371	6H	B
MTP-M6X1.00ISO6H-TB-V001	M6	1,00	-	6,0	30,0	15,0	125,0	6.00X4.90	3	5,1	DIN371	6H	B
MTP-M8X1.25ISO6H-TB-V001	M8	1,25	-	8,0	40,0	18,0	140,0	8.00X6.20	3	6,8	DIN371	6H	B
MTP-M10X1.50ISO6H-TB-V001	M10	1,50	-	10,0	50,0	20,0	160,0	10.00X8.00	3	8,6	DIN371	6H	B

Please check availability in current price and stock-list



**MTP-V002**

**Long version**

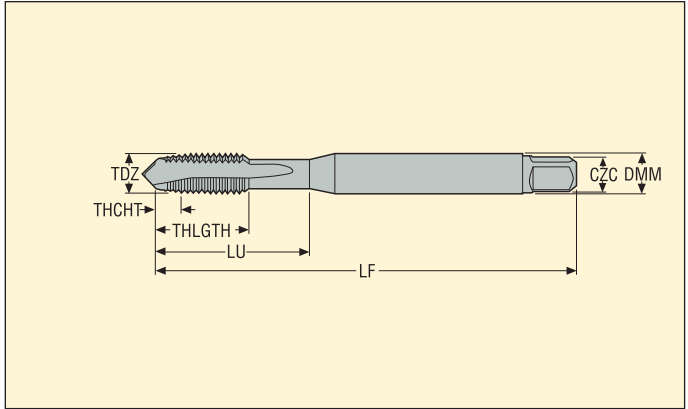


- For cutting data see page(s) 175
- Coating: TiN
- Substrate: HSS-E

Designation	TDZ	Pitch		Dimensions in mm					NOF	PHDR	BSG	TCTR	THCHT
		mm	TPI	DMM	LU	THLGTH	LF	CXC					
MTP-M12X1.75ISO6H-TB-V002	M12	1,75	-	9,0	153,0	23,0	180,0	9.00X7.00	3	10,4	DIN376	6H	B
MTP-M14X2.00ISO6H-TB-V002	M14	2,00	-	11,0	151,0	25,0	180,0	11.00X9.00	3	12,1	DIN376	6H	B
MTP-M16X2.00ISO6H-TB-V002	M16	2,00	-	12,0	158,0	25,0	200,0	12.00X9.00	3	14,1	DIN376	6H	B
MTP-M20X2.50ISO6H-TB-V002	M20	2,50	-	16,0	179,0	30,0	224,0	16.00X12.00	4	17,7	DIN376	6H	B

Please check availability in current price and stock-list

## MTP-V005



- For cutting data see page(s) 175
- Coating: TIN
- Substrate: HSS-PM

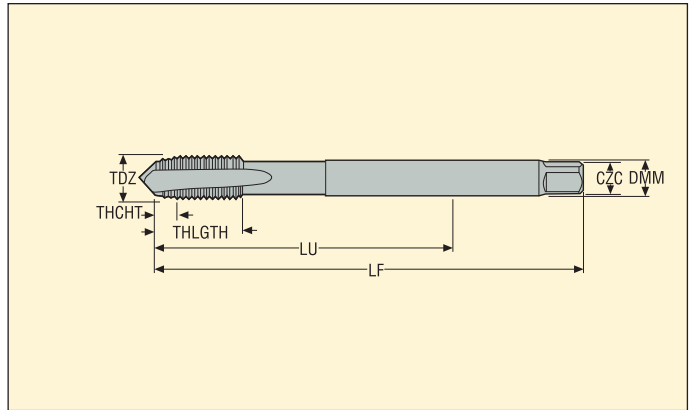
Designation	TDZ	Pitch		Dimensions in mm					NOF	PHDR	BSG	TCTR	THCHT
		mm	TPI	DMM	LU	THLGTH	LF	CZC					
MTP-M3X0.50ISO6G-TB-V005	M3	0,50	-	3,5	18,0	8,9	56,0	3.50X2.70	3	2,5	DIN371	6G	B
MTP-M4X0.70ISO6G-TB-V005	M4	0,70	-	4,5	21,0	11,7	63,0	4.50X3.40	3	3,4	DIN371	6G	B
MTP-M5X0.80ISO6G-TB-V005	M5	0,80	-	6,0	25,0	12,6	70,0	6.00X4.90	3	4,3	DIN371	6G	B
MTP-M6X1.00ISO6G-TB-V005	M6	1,00	-	6,0	30,0	14,5	80,0	6.00X4.90	3	5,1	DIN371	6G	B
MTP-M8X1.25ISO6G-TB-V005	M8	1,25	-	8,0	35,0	17,4	90,0	8.00X6.20	3	6,8	DIN371	6G	B
MTP-M10X1.50ISO6G-TB-V005	M10	1,50	-	10,0	39,0	19,2	100,0	10.00X8.00	3	8,6	DIN371	6G	B

Please check availability in current price and stock-list

## MTP-V006



- For cutting data see page(s) 175
- Coating: TiN
- Substrate: HSS-PM ≤ M16, HSS-E > M16



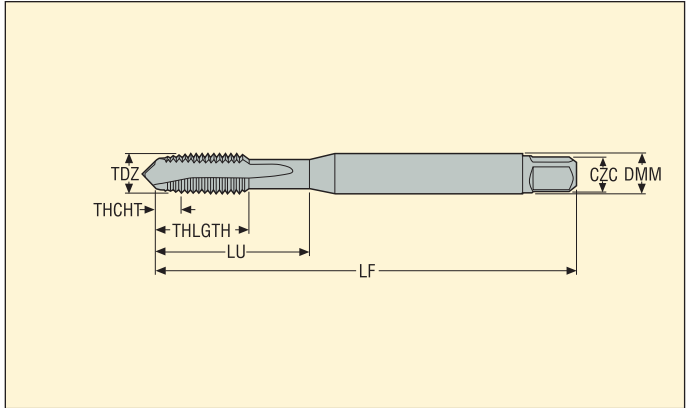
Designation	TDZ	Pitch		Dimensions in mm					NOF	PHDR	BSG	TCTR	THCHT
		mm	TPI	DMM	LU	THLGTH	LF	CZC					
MTP-M12X1.75ISO6G-TB-V006	M12	1,75	-	9,0	83,0	23,0	110,0	9.00X7.00	3	10,4	DIN376	6G	B
MTP-M16X2.00ISO6G-TB-V006	M16	2,00	-	12,0	68,0	25,0	110,0	12.00X9.00	3	14,1	DIN376	6G	B
MTP-M20X2.50ISO6G-TB-V006	M20	2,50	-	16,0	95,0	30,0	140,0	16.00X12.00	4	17,7	DIN376	6G	B

Please check availability in current price and stock-list

## MTP-V007



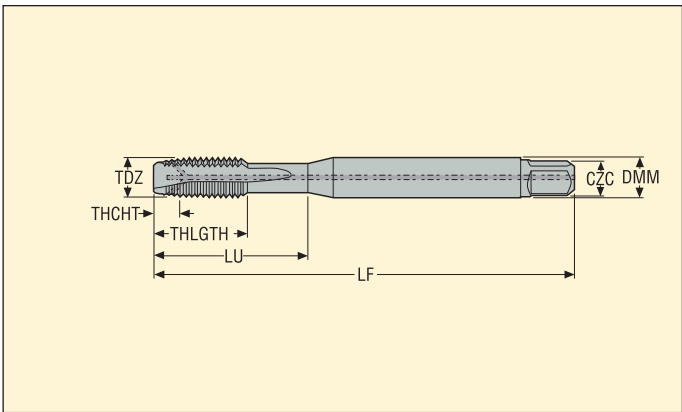
- For cutting data see page(s) 175
- Coating: TiN
- Substrate: HSS-E ≤ M2,5, HSS-PM > M2,5



Designation	TDZ	Pitch		Dimensions in mm					NOF	PHDR	BSG	TCTR	THCHT
		mm	TPI	DMM	LU	THLGTH	LF	CXC					
MTP-M2X0.40ISO6H-TB-V007	M2	0,40	–	2,8	9,0	6,0	45,0	2.80X2.10	2	1,6	DIN371	6H	B
MTP-M2.5X0.45ISO6H-TB-V007	M2.5	0,45	–	2,8	12,5	8,0	50,0	2.80X2.10	2	2,1	DIN371	6H	B
MTP-M3X0.50ISO6H-TB-V007	M3	0,50	–	3,5	18,0	8,9	56,0	3.50X2.70	3	2,5	DIN371	6H	B
MTP-M3.5X0.60ISO6H-TB-V007	M3.5	0,60	–	4,0	20,0	10,8	56,0	4.00X3.00	3	2,9	DIN371	6H	B
MTP-M4X0.70ISO6H-TB-V007	M4	0,70	–	4,5	21,0	11,7	63,0	4.50X3.40	3	3,4	DIN371	6H	B
MTP-M4.5X0.75ISO6H-TB-V007	M4.5	0,75	–	6,0	25,0	12,6	70,0	6.00X4.90	3	3,8	DIN371	6H	B
MTP-M5X0.80ISO6H-TB-V007	M5	0,80	–	6,0	25,0	12,6	70,0	6.00X4.90	3	4,3	DIN371	6H	B
MTP-M6X1.00ISO6H-TB-V007	M6	1,00	–	6,0	30,0	14,5	80,0	6.00X4.90	3	5,1	DIN371	6H	B
MTP-M7X1.00ISO6H-TB-V007	M7	1,00	–	7,0	30,0	14,5	80,0	7.00X5.50	3	6,1	DIN371	6H	B
MTP-M8X1.25ISO6H-TB-V007	M8	1,25	–	8,0	35,0	17,4	90,0	8.00X6.20	3	6,8	DIN371	6H	B
MTP-M10X1.50ISO6H-TB-V007	M10	1,50	–	10,0	39,0	19,2	100,0	10.00X8.00	3	8,6	DIN371	6H	B

Please check availability in current price and stock-list

## MTP-V007-A



- For cutting data see page(s) 175
- Coating: TiN
- Substrate: HSS-PM
- Internal coolant

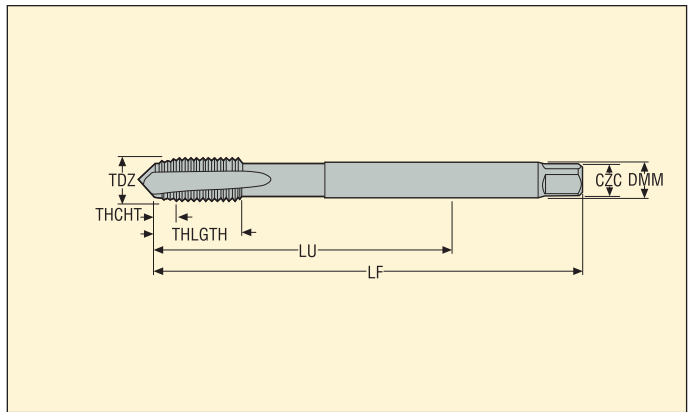
Designation	TDZ	Pitch		Dimensions in mm					NOF	PHDR	BSG	TCTR	THCHT
		mm	TPI	DMM	LU	THLGTH	LF	CZC					
MTP-M4X0.70ISO6H-TB-V007-A	M4	0,70	-	4,5	21,0	6,7	63,0	4.50X3.40	3	3,4	DIN371	6H	B
MTP-M5X0.80ISO6H-TB-V007-A	M5	0,80	-	6,0	25,0	7,7	70,0	6.00X4.90	3	4,3	DIN371	6H	B
MTP-M6X1.00ISO6H-TB-V007-A	M6	1,00	-	6,0	30,0	10,0	80,0	6.00X4.90	3	5,1	DIN371	6H	B
MTP-M8X1.25ISO6H-TB-V007-A	M8	1,25	-	8,0	35,0	11,6	90,0	8.00X6.20	3	6,8	DIN371	6H	B
MTP-M10X1.50ISO6H-TB-V007-A	M10	1,50	-	10,0	39,0	15,1	100,0	10.00X8.00	3	8,6	DIN371	6H	B

Please check availability in current price and stock-list

## MTP-V008



- For cutting data see page(s) 175
- Coating: TiN
- Substrate: HSS-PM ≤ M16, HSS-E > M16



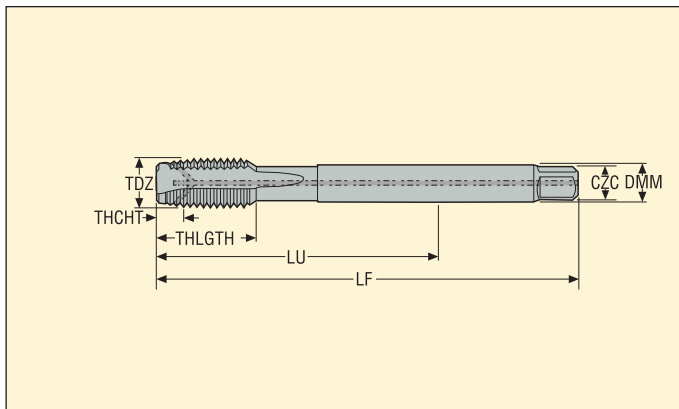
Designation	TDZ	Pitch		Dimensions in mm					NOF	PHDR	BSG	TCTR	THCHT
		mm	TPI	DMM	LU	THLGTH	LF	CZC					
MTP-M3X0.50ISO6H-TB-V008	M3	0,50	–	2,2	37,0	9,5	56,0	2.20X1.80	3	2,5	DIN376	6H	B
MTP-M4X0.70ISO6H-TB-V008	M4	0,70	–	2,8	43,0	11,9	63,0	2.80X2.10	3	3,4	DIN376	6H	B
MTP-M5X0.80ISO6H-TB-V008	M5	0,80	–	3,5	49,0	13,2	70,0	3.50X2.70	3	4,3	DIN376	6H	B
MTP-M6X1.00ISO6H-TB-V008	M6	1,00	–	4,5	59,0	15,1	80,0	4.50X3.40	3	5,1	DIN376	6H	B
MTP-M8X1.25ISO6H-TB-V008	M8	1,25	–	6,0	67,0	18,0	90,0	6.00X4.90	3	6,8	DIN376	6H	B
MTP-M10X1.50ISO6H-TB-V008	M10	1,50	–	7,0	77,0	19,8	100,0	7.00X5.50	3	8,6	DIN376	6H	B
MTP-M12X1.75ISO6H-TB-V008	M12	1,75	–	9,0	83,0	23,0	110,0	9.00X7.00	3	10,4	DIN376	6H	B
MTP-M14X2.00ISO6H-TB-V008	M14	2,00	–	11,0	81,0	25,0	110,0	11.00X9.00	3	12,1	DIN376	6H	B
MTP-M16X2.00ISO6H-TB-V008	M16	2,00	–	12,0	68,0	25,0	110,0	12.00X9.00	3	14,1	DIN376	6H	B
MTP-M18X2.50ISO6H-TB-V008	M18	2,50	–	14,0	81,0	30,0	125,0	14.00X11.00	4	15,7	DIN376	6H	B
MTP-M20X2.50ISO6H-TB-V008	M20	2,50	–	16,0	95,0	30,0	140,0	16.00X12.00	4	17,7	DIN376	6H	B
MTP-M22X2.50ISO6H-TB-V008	M22	2,50	–	18,0	93,0	34,0	140,0	18.00X14.50	4	19,7	DIN376	6H	B
MTP-M24X3.00ISO6H-TB-V008	M24	3,00	–	18,0	113,0	38,0	160,0	18.00X14.50	4	21,0	DIN376	6H	B
MTP-M27X3.00ISO6H-TB-V008	M27	3,00	–	20,0	97,0	38,0	160,0	20.00X16.00	4	24,0	DIN376	6H	B
MTP-M30X3.50ISO6H-TB-V008	M30	3,50	–	22,0	115,0	45,0	180,0	22.00X18.00	4	26,5	DIN376	6H	B
MTP-M33X3.50ISO6H-TB-V008	M33	3,50	–	25,0	113,0	50,0	180,0	25.00X20.00	4	29,5	DIN376	6H	B
MTP-M36X4.00ISO6H-TB-V008	M36	4,00	–	28,0	131,0	55,0	200,0	28.00X22.00	4	32,0	DIN376	6H	B

Please check availability in current price and stock-list

## MTP-V008-A



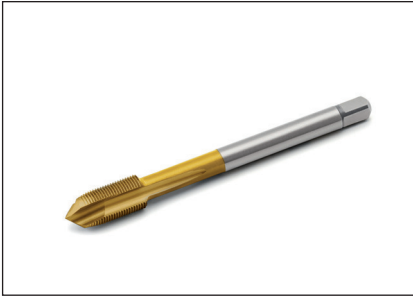
- For cutting data see page(s) 175
- Coating: TiN
- Substrate: HSS-PM ≤ M16, HSS-E > M16
- Internal coolant



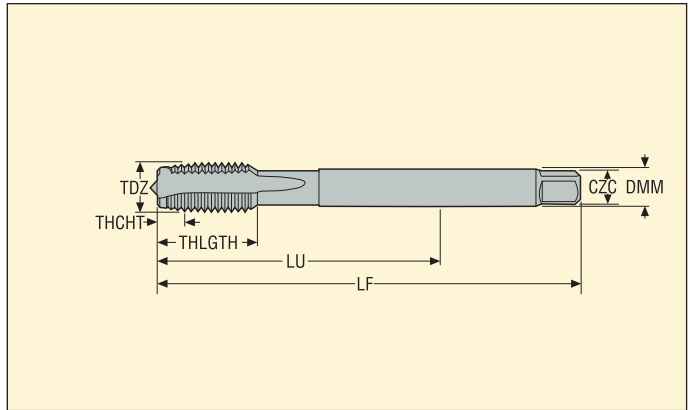
Designation	TDZ	Pitch		Dimensions in mm					NOF	PHDR	BSG	TCTR	THCHT
		mm	TPI	DMM	LU	THLGTH	LF	CZC					
MTP-M12X1.75ISO6H-TB-V008-A	M12	1,75	–	9,0	83,0	16,0	110,0	9.00X7.00	3	10,4	DIN376	6H	B
MTP-M14X2.00ISO6H-TB-V008-A	M14	2,00	–	11,0	81,0	25,0	110,0	11.00X9.00	3	12,1	DIN376	6H	B
MTP-M16X2.00ISO6H-TB-V008-A	M16	2,00	–	12,0	68,0	20,0	110,0	12.00X9.00	4	14,1	DIN376	6H	B
MTP-M18X2.50ISO6H-TB-V008-A	M18	2,50	–	14,0	81,0	25,0	125,0	14.00X11.00	4	15,7	DIN376	6H	B
MTP-M20X2.50ISO6H-TB-V008-A	M20	2,50	–	16,0	95,0	25,0	140,0	16.00X12.00	4	17,7	DIN376	6H	B
MTP-M22X2.50ISO6H-TB-V008-A	M22	2,50	–	18,0	93,0	25,0	140,0	18.00X14.50	4	19,7	DIN376	6H	B
MTP-M24X3.00ISO6H-TB-V008-A	M24	3,00	–	18,0	113,0	30,0	160,0	18.00X14.50	4	21,0	DIN376	6H	B
MTP-M27X3.00ISO6H-TB-V008-A	M27	3,00	–	20,0	97,0	30,0	160,0	20.00X16.00	4	24,0	DIN376	6H	B
MTP-M30X3.50ISO6H-TB-V008-A	M30	3,50	–	22,0	115,0	36,0	180,0	22.00X18.00	4	26,5	DIN376	6H	B
MTP-M33X3.50ISO6H-TB-V008-A	M33	3,50	–	25,0	113,0	50,0	180,0	25.00X20.00	4	29,5	DIN376	6H	B
MTP-M36X4.00ISO6H-TB-V008-A	M36	4,00	–	28,0	131,0	55,0	200,0	28.00X22.00	4	32,0	DIN376	6H	B

Please check availability in current price and stock-list

## MTP-V014



- For cutting data see page(s) 176
- Coating: TiN
- Substrate: HSS-PM ≤ M16, HSS-E > M16

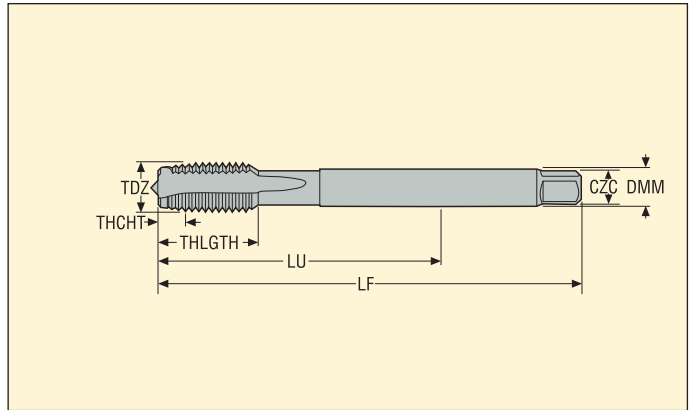
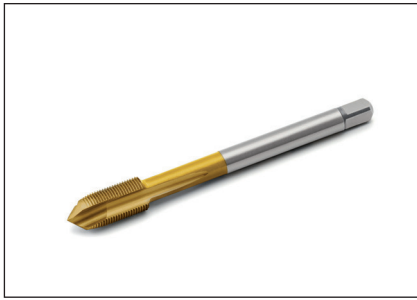


Designation	TDZ	Pitch		Dimensions in mm					NOF	PHDR	BSG	TCTR	THCHT
		mm	TPI	DMM	LU	THLGTH	LF	CZC					
MTP-M4X0.50ISO6H-TB-V014	MF4X0.5	0,50	-	2,8	43,0	11,9	63,0	2.80X2.10	3	3,5	DIN374	6H	B
MTP-M5X0.50ISO6H-TB-V014	MF5X0.5	0,50	-	3,5	49,0	13,2	70,0	3.50X2.70	3	4,5	DIN374	6H	B
MTP-M6X0.75ISO6H-TB-V014	MF6X0.75	0,75	-	4,5	59,0	15,1	80,0	4.50X3.40	3	5,3	DIN374	6H	B
MTP-M8X0.75ISO6H-TB-V014	MF8X0.75	0,75	-	6,0	57,0	14,9	80,0	6.00X4.90	3	7,3	DIN374	6H	B
MTP-M8X1.00ISO6H-TB-V014	MF8X1.0	1,00	-	6,0	67,0	18,0	90,0	6.00X4.90	3	7,1	DIN374	6H	B
MTP-M9X1.00ISO6H-TB-V014	MF9X1.0	1,00	-	7,0	67,0	17,0	90,0	7.00X5.50	3	8,1	DIN374	6H	B
MTP-M10X0.75ISO6H-TB-V014	MF10X0.75	0,75	-	7,0	67,0	17,6	90,0	7.00X5.50	3	9,3	DIN374	6H	B
MTP-M10X1.00ISO6H-TB-V014	MF10X1.0	1,00	-	7,0	67,0	17,6	90,0	7.00X5.50	3	9,1	DIN374	6H	B
MTP-M10X1.25ISO6H-TB-V014	MF10X1.25	1,25	-	7,0	77,0	19,8	100,0	7.00X5.50	3	8,8	DIN374	6H	B
MTP-M11X1.00ISO6H-TB-V014	MF11X1.0	1,00	-	8,0	63,0	18,0	90,0	8.00X6.20	3	10,1	DIN374	6H	B
MTP-M11X1.25ISO6H-TB-V014	MF11X1.25	1,25	-	8,0	63,0	22,0	90,0	8.00X6.20	3	9,8	DIN374	6H	B
MTP-M12X1.00ISO6H-TB-V014	MF12X1.0	1,00	-	9,0	73,0	21,0	100,0	9.00X7.00	3	11,1	DIN374	6H	B
MTP-M12X1.25ISO6H-TB-V014	MF12X1.25	1,25	-	9,0	73,0	21,0	100,0	9.00X7.00	3	10,8	DIN374	6H	B
MTP-M12X1.50ISO6H-TB-V014	MF12X1.5	1,50	-	9,0	73,0	21,0	100,0	9.00X7.00	3	10,6	DIN374	6H	B
MTP-M14X1.00ISO6H-TB-V014	MF14X1.0	1,00	-	11,0	71,0	21,0	100,0	11.00X9.00	3	13,1	DIN374	6H	B
MTP-M14X1.25ISO6H-TB-V014	MF14X1.25	1,25	-	11,0	71,0	21,0	100,0	11.00X9.00	3	12,8	DIN374	6H	B
MTP-M14X1.50ISO6H-TB-V014	MF14X1.5	1,50	-	11,0	71,0	21,0	100,0	11.00X9.00	3	12,6	DIN374	6H	B
MTP-M16X1.00ISO6H-TB-V014	MF16X1.0	1,00	-	12,0	58,0	21,0	100,0	12.00X9.00	3	15,1	DIN374	6H	B
MTP-M16X1.50ISO6H-TB-V014	MF16X1.5	1,50	-	12,0	58,0	21,0	100,0	12.00X9.00	3	14,6	DIN374	6H	B
MTP-M18X1.00ISO6H-TB-V014	MF18X1.0	1,00	-	14,0	66,0	24,0	110,0	14.00X11.00	4	17,1	DIN374	6H	B
MTP-M18X1.50ISO6H-TB-V014	MF18X1.5	1,50	-	14,0	66,0	24,0	110,0	14.00X11.00	4	16,6	DIN374	6H	B
MTP-M20X1.00ISO6H-TB-V014	MF20X1.0	1,00	-	16,0	80,0	24,0	125,0	16.00X12.00	4	19,1	DIN374	6H	B
MTP-M20X1.50ISO6H-TB-V014	MF20X1.5	1,50	-	16,0	80,0	24,0	125,0	16.00X12.00	4	18,6	DIN374	6H	B

Please check availability in current price and stock-list



## MTP-V014

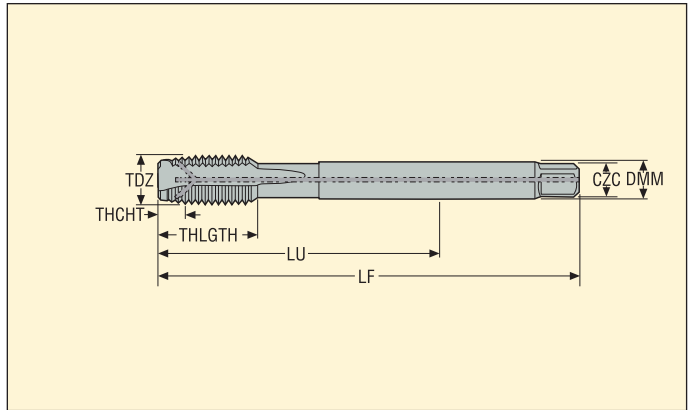


- For cutting data see page(s) 176
- Coating: TiN
- Substrate: HSS-PM ≤ M16, HSS-E > M16

Designation	TDZ	Pitch		Dimensions in mm					NOF	PHDR	BSG	TCTR	THCHT
		mm	TPI	DMM	LU	THLGTH	LF	CZC					
MTP-M22X1.50ISO6H-TB-V014	MF22X1.5	1,50	–	18,0	78,0	25,0	125,0	18.00X14.50	4	20,5	DIN374	6H	B
MTP-M24X1.50ISO6H-TB-V014	MF24X1.5	1,50	–	18,0	93,0	28,0	140,0	18.00X14.50	4	22,5	DIN374	6H	B
MTP-M24X2.00ISO6H-TB-V014	MF24X2.0	2,00	–	18,0	93,0	28,0	140,0	18.00X14.50	4	22,0	DIN374	6H	B
MTP-M25X1.50ISO6H-TB-V014	MF25X1.5	1,50	–	18,0	93,0	28,0	140,0	18.00X14.50	4	23,5	DIN374	6H	B
MTP-M26X1.50ISO6H-TB-V014	MF26X1.5	1,50	–	18,0	93,0	28,0	140,0	18.00X14.50	4	24,5	DIN374	6H	B
MTP-M27X1.50ISO6H-TB-V014	MF27X1.5	1,50	–	20,0	77,0	28,0	140,0	20.00X16.00	4	25,5	DIN374	6H	B
MTP-M27X2.00ISO6H-TB-V014	MF27X2.0	2,00	–	20,0	77,0	28,0	140,0	20.00X16.00	4	25,0	DIN374	6H	B
MTP-M28X1.50ISO6H-TB-V014	MF28X1.5	1,50	–	20,0	77,0	28,0	140,0	20.00X16.00	4	26,5	DIN374	6H	B
MTP-M30X1.50ISO6H-TB-V014	MF30X1.5	1,50	–	22,0	85,0	28,0	150,0	22.00X18.00	4	28,5	DIN374	6H	B
MTP-M30X2.00ISO6H-TB-V014	MF30X2.0	2,00	–	22,0	85,0	28,0	150,0	22.00X18.00	4	28,0	DIN374	6H	B

Please check availability in current price and stock-list

## MTP-V014-A



- For cutting data see page(s) 176
- Coating: TiN
- Substrate: HSS-PM ≤ M16, HSS-E > M16
- Internal coolant

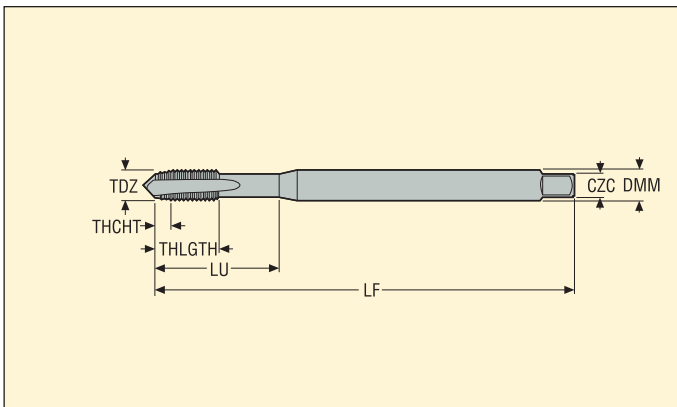
Designation	TDZ	Pitch		Dimensions in mm					NOF	PHDR	BSG	TCTR	THCHT
		mm	TPI	DMM	LU	THLGTH	LF	CZC					
MTP-M6X0.75ISO6H-TB-V014-A	MF6X0.75	0,75	-	4,5	59,0	15,1	80,0	4.50X3.40	3	5,3	DIN374	6H	B
MTP-M8X0.75ISO6H-TB-V014-A	MF8X0.75	0,75	-	6,0	57,0	14,9	80,0	6.00X4.90	3	7,3	DIN374	6H	B
MTP-M8X1.00ISO6H-TB-V014-A	MF8X1.0	1,00	-	6,0	67,0	18,0	90,0	6.00X4.90	3	7,1	DIN374	6H	B
MTP-M10X0.75ISO6H-TB-V014-A	MF10X0.75	0,75	-	7,0	67,0	17,6	90,0	7.00X5.50	3	9,3	DIN374	6H	B
MTP-M10X1.00ISO6H-TB-V014-A	MF10X1.0	1,00	-	7,0	67,0	17,6	90,0	7.00X5.50	3	9,1	DIN374	6H	B
MTP-M10X1.25ISO6H-TB-V014-A	MF10X1.25	1,25	-	7,0	77,0	19,8	100,0	7.00X5.50	3	8,8	DIN374	6H	B
MTP-M12X1.00ISO6H-TB-V014-A	MF12X1.0	1,00	-	9,0	73,0	21,0	100,0	9.00X7.00	3	11,1	DIN374	6H	B
MTP-M12X1.25ISO6H-TB-V014-A	MF12X1.25	1,25	-	9,0	73,0	21,0	100,0	9.00X7.00	3	10,8	DIN374	6H	B
MTP-M12X1.50ISO6H-TB-V014-A	MF12X1.5	1,50	-	9,0	73,0	21,0	100,0	9.00X7.00	3	10,6	DIN374	6H	B
MTP-M14X1.00ISO6H-TB-V014-A	MF14X1.0	1,00	-	11,0	71,0	21,0	100,0	11.00X9.00	3	13,1	DIN374	6H	B
MTP-M14X1.25ISO6H-TB-V014-A	MF14X1.25	1,25	-	11,0	71,0	21,0	100,0	11.00X9.00	3	12,8	DIN374	6H	B
MTP-M14X1.50ISO6H-TB-V014-A	MF14X1.5	1,50	-	11,0	71,0	21,0	100,0	11.00X9.00	3	12,6	DIN374	6H	B
MTP-M16X1.00ISO6H-TB-V014-A	MF16X1.0	1,00	-	12,0	58,0	21,0	100,0	12.00X9.00	3	15,1	DIN374	6H	B
MTP-M16X1.50ISO6H-TB-V014-A	MF16X1.5	1,50	-	12,0	58,0	21,0	100,0	12.00X9.00	3	14,6	DIN374	6H	B
MTP-M18X1.00ISO6H-TB-V014-A	MF18X1.0	1,00	-	14,0	66,0	24,0	110,0	14.00X11.00	4	17,1	DIN374	6H	B
MTP-M18X1.50ISO6H-TB-V014-A	MF18X1.5	1,50	-	14,0	66,0	24,0	110,0	14.00X11.00	4	16,6	DIN374	6H	B
MTP-M20X1.00ISO6H-TB-V014-A	MF20X1.0	1,00	-	16,0	80,0	24,0	125,0	16.00X12.00	4	19,1	DIN374	6H	B
MTP-M20X1.50ISO6H-TB-V014-A	MF20X1.5	1,50	-	16,0	80,0	24,0	125,0	16.00X12.00	4	18,6	DIN374	6H	B
MTP-M22X1.50ISO6H-TB-V014-A	MF22X1.5	1,50	-	18,0	78,0	25,0	125,0	18.00X14.50	4	20,5	DIN374	6H	B
MTP-M24X1.50ISO6H-TB-V014-A	MF24X1.5	1,50	-	18,0	93,0	28,0	140,0	18.00X14.50	4	22,5	DIN374	6H	B
MTP-M24X2.00ISO6H-TB-V014-A	MF24X2.0	2,00	-	18,0	93,0	28,0	140,0	18.00X14.50	4	22,0	DIN374	6H	B

Please check availability in current price and stock-list

## MTP-V017



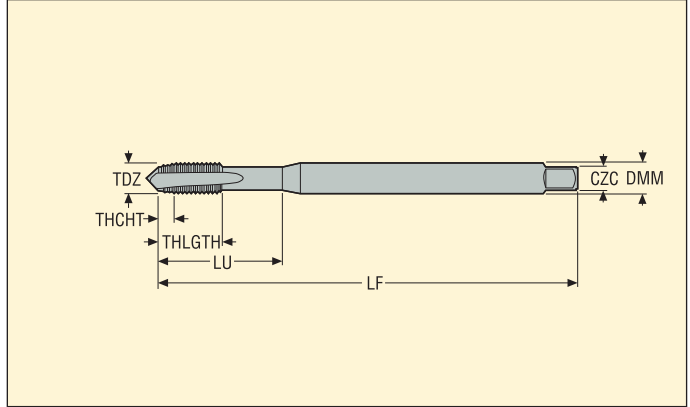
- For cutting data see page(s) 176
- Coating: TiN
- Substrate: HSS-PM



Designation	TDZ	Pitch		Dimensions in mm					NOF	PHDR	BSG	TCTR	THCHT
		mm	TPI	DMM	LU	THLGTH	LF	CZC					
MTP-4-40UNC-TB-V017	UNC4-40	-	40	3,5	18,0	8,5	56,0	3,50X2,70	3	2,35	DIN2184-1	2B	B
MTP-5-40UNC-TB-V017	UNC5-40	-	40	3,5	18,0	9,5	56,0	3,50X2,70	3	2,65	DIN2184-1	2B	B
MTP-6-32UNC-TB-V017	UNC6-32	-	32	4,0	20,0	10,4	56,0	4,00X3,00	3	2,85	DIN2184-1	2B	B
MTP-8-32UNC-TB-V017	UNC8-32	-	32	4,5	21,0	11,4	63,0	4,50X3,40	3	3,5	DIN2184-1	2B	B
MTP-10-24UNC-TB-V017	UNC10-24	-	24	6,0	25,0	12,2	70,0	6,00X4,90	3	3,9	DIN2184-1	2B	B
MTP-12-24UNC-TB-V017	UNC12-24	-	24	6,0	30,0	14,2	80,0	6,00X4,90	3	4,5	DIN2184-1	2B	B
MTP-1/4-20UNC-TB-V017	UNC1/4-20	-	20	7,0	30,0	14,1	80,0	7,00X5,50	3	5,2	DIN2184-1	2B	B
MTP-5/16-18UNC-TB-V017	UNC5/16-18	-	18	8,0	35,0	17,4	90,0	8,00X6,20	3	6,7	DIN2184-1	2B	B
MTP-3/8-16UNC-TB-V017	UNC3/8-16	-	16	10,0	39,0	18,9	100,0	10,00X8,00	3	8,1	DIN2184-1	2B	B
MTP-7/16-14UNC-TB-V017	UNC7/16-14	-	14	8,0	76,0	20,0	100,0	8,00X6,20	3	9,5	DIN2184-1	2B	B
MTP-1/2-13UNC-TB-V017	UNC1/2-13	-	13	9,0	83,0	23,0	110,0	9,00X7,00	3	10,9	DIN2184-1	2B	B
MTP-5/8-11UNC-TB-V017	UNC5/8-11	-	11	12,0	68,0	25,0	110,0	12,00X9,00	3	13,8	DIN2184-1	2B	B

Please check availability in current price and stock-list

## MTP-V020



- For cutting data see page(s) 176
- Coating: TIN
- Substrate: HSS-PM

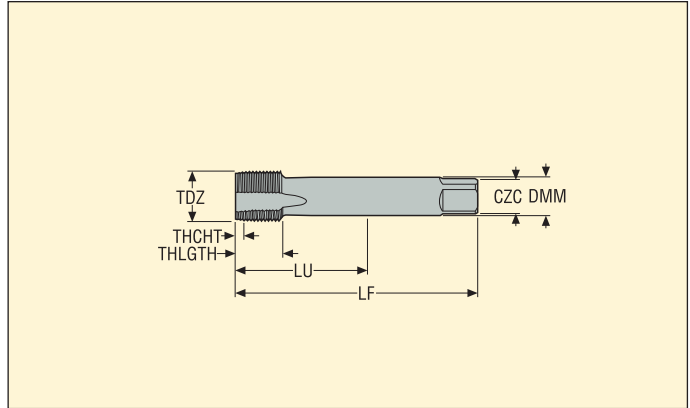
Designation	TDZ	Pitch		Dimensions in mm					NOF	PHDR	BSG	TCTR	THCHT
		mm	TPI	DMM	LU	THLGTH	LF	CZC					
MTP-8-36UNF-TB-V020	UNF8-36	-	36	4,5	21,0	11,4	63,0	4.50X3.40	3	3,5	DIN2184-1	2B	B
MTP-10-32UNF-TB-V020	UNF10-32	-	32	6,0	25,0	12,2	70,0	6.00X4.90	3	4,1	DIN2184-1	2B	B
MTP-1/4-28UNF-TB-V020	UNF1/4-28	-	28	7,0	30,0	14,1	80,0	7.00X5.50	3	5,5	DIN2184-1	2B	B
MTP-5/16-24UNF-TB-V020	UNF5/16-24	-	24	8,0	35,0	17,4	90,0	8.00X6.20	3	7,0	DIN2184-1	2B	B
MTP-7/16-20UNF-TB-V020	UNF7/16-20	-	20	8,0	76,0	20,0	100,0	8.00X6.20	3	10,0	DIN2184-1	2B	B
MTP-1/2-20UNF-TB-V020	UNF1/2-20	-	20	9,0	83,0	23,0	110,0	9.00X7.00	3	11,5	DIN2184-1	2B	B
MTP-5/8-18UNF-TB-V020	UNF5/8-18	-	18	12,0	68,0	25,0	110,0	12.00X9.00	3	14,6	DIN2184-1	2B	B

Please check availability in current price and stock-list

## MTP-V023



- For cutting data see page(s) 176
- Coating: TiN
- Substrate: HSS-PM



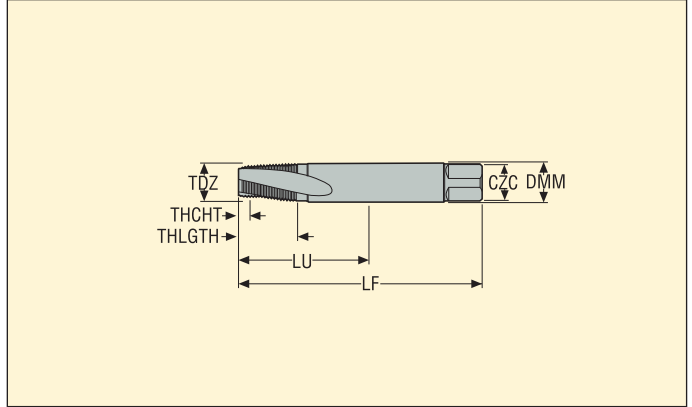
Designation	TDZ	Pitch		Dimensions in mm					NOF	PHDR	BSG	TCTR	THCHT
		mm	TPI	DMM	LU	THLGTH	LF	CXC					
MTP-1/8-28G-TB-V023	G1/8-28	-	28	7,0	67,0	17,6	90,0	7.00X5.50	3	8,8	DIN5156	NORMAL	B
MTP-1/4-19G-TB-V023	G1/4-19	-	19	11,0	71,0	21,0	100,0	11.00X9.00	3	11,8	DIN5156	NORMAL	B
MTP-3/8-19G-TB-V023	G3/8-19	-	19	12,0	58,0	21,0	100,0	12.00X9.00	4	15,3	DIN5156	NORMAL	B
MTP-1/2-14G-TB-V023	G1/2-14	-	14	16,0	80,0	24,0	125,0	16.00X12.00	4	19,1	DIN5156	NORMAL	B
MTP-5/8-14G-TB-V023	G5/8-14	-	14	18,0	78,0	24,0	125,0	18.00X14.50	4	21,1	DIN5156	NORMAL	B

Please check availability in current price and stock-list

## MTH-V048



- For cutting data see page(s) 177
- Vaporised
- Substrate: HSS-E



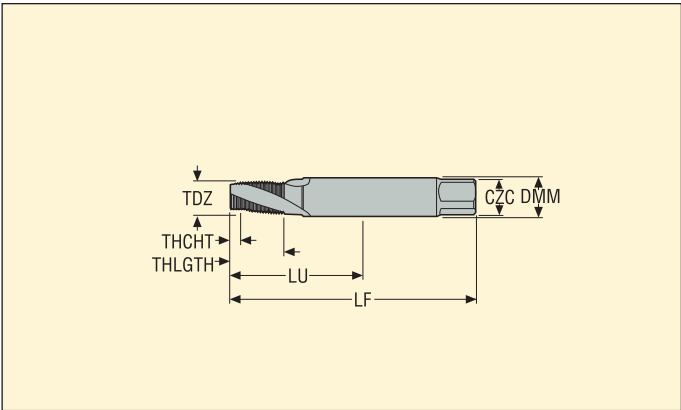
Designation	TDZ	Pitch		Dimensions in mm					NOF	PHDR	BSG	TCTR	THCHT
		mm	TPI	DMM	LU	THLGTH	LF	CZC					
<b>MTH-1/16-27NPT-XC-V048</b>	NPT1/16-27	-	27	7,95	56,0	14,0	80,0	7.95X5.94	3	6,15	DIN/ANSI	NORMAL	C
<b>MTH-1/8-27NPT-XC-V048</b>	NPT1/8-27	-	27	11,1	64,0	14,0	90,0	11.10X8.33	4	8,4	DIN/ANSI	NORMAL	C
<b>MTH-1/4-18NPT-XC-V048</b>	NPT1/4-18	-	18	14,27	59,0	20,0	100,0	14.27X10.69	4	11,1	DIN/ANSI	NORMAL	C
<b>MTH-3/8-18NPT-XC-V048</b>	NPT3/8-18	-	18	17,78	67,0	20,0	110,0	17.78X13.49	5	14,3	DIN/ANSI	NORMAL	C
<b>MTH-1/2-14NPT-XC-V048</b>	NPT1/2-14	-	14	17,45	79,0	26,0	125,0	17.45X13.08	5	17,9	DIN/ANSI	NORMAL	C
<b>MTH-3/4-14NPT-XC-V048</b>	NPT3/4-14	-	14	23,01	78,0	26,0	140,0	23.01X17.25	5	23,2	DIN/ANSI	NORMAL	C
<b>MTH-1-11.5NPT-XC-V048</b>	NPT1-11.5	-	11,5	28,58	58,0	31,0	150,0	28.58X21.41	5	29,0	DIN/ANSI	NORMAL	C

Please check availability in current price and stock-list

### MTH-V050



- For cutting data see page(s) 177
- Vaporised
- Substrate: HSS-E



Designation	TDZ	Pitch		Dimensions in mm					NOF	PHDR	BSG	TCTR	THCHT
		mm	TPI	DMM	LU	THLGTH	LF	CZC					
MTH-1/16-27NPTF-XC-V050	NPTF1/16-27	-	27	7,95	56,0	14,0	80,0	7.95X5.94	3	6,1	DIN/ANSI	NORMAL	C
MTH-1/8-27NPTF-XC-V050	NPTF1/8-27	-	27	11,1	64,0	14,0	90,0	11.10X8.33	4	8,4	DIN/ANSI	NORMAL	C
MTH-1/4-18NPTF-XC-V050	NPTF1/4-18	-	18	14,27	59,0	20,0	100,0	14.27X10.69	4	11,0	DIN/ANSI	NORMAL	C
MTH-3/8-18NPTF-XC-V050	NPTF3/8-18	-	18	17,78	67,0	20,0	110,0	17.78X13.49	5	14,3	DIN/ANSI	NORMAL	C
MTH-1/2-14NPTF-XC-V050	NPTF1/2-14	-	14	17,45	79,0	26,0	125,0	17.45X13.08	5	17,6	DIN/ANSI	NORMAL	C
MTH-3/4-14NPTF-XC-V050	NPTF3/4-14	-	14	23,01	78,0	26,0	140,0	23.01X17.25	5	23,0	DIN/ANSI	NORMAL	C

Please check availability in current price and stock-list

## Steels, ferritic and martensitic stainless steels

SMG	Description	Properties	Reference	$k_{c1.1}$	$m_c$
P1	Free-cutting steels	$360 < R_m < 880$	11 SMn30 $R_m = 385 \text{ N/mm}^2$	1500	0,14
P2	Low-alloy ferritic steels, $C < 0.25\%wt$ Low-alloy weldable general structural steels	$320 < R_m < 600$	S235JRG2 $R_m = 420 \text{ N/mm}^2$	1600	0,23
P3	Ferritic & ferritic/pearlitic steels, $C < 0.25\%wt$ Weldable general structural steels Case-hardening steels	$430 < R_m < 610$	16 MnCr 5 $R_m = 550 \text{ N/mm}^2$	1800	0,14
P4	Low-alloy general structural steels, $0.25\% < C < 0.67\%wt$ Low-alloy Quench & Temper steels	$520 < R_m < 1200$	C 45E $R_m = 660 \text{ N/mm}^2$	2000	0,15
P5	Structural steels, $0.25\% < C < 0.67\%wt$ Quench & Temper steels	$550 < R_m < 1200$	42 CrMo 4 $R_m = 700 \text{ N/mm}^2$	2020	0,18
P6	Low-alloy through-hardening steels, $C > 0.67\%wt$ Low-alloy spring and bearing steels	$520 < R_m < 1200$	C 100S $R_m = 600 \text{ N/mm}^2$	2100	0,17
P7	Through-hardening steels, $C > 0.67\%wt$ Spring and bearing steels	$600 < R_m < 1200$	100 Cr 6 $R_m = 650 \text{ N/mm}^2$	2160	0,17
P8	Tool steels High Speed Steels (HSS)	$600 < R_m < 1200$	X 40 CrMoV 5 1 $R_m = 700 \text{ N/mm}^2$	2400	0,20
P11	Ferritic & martensitic stainless steels	$415 < R_m < 1200$	X 20 Cr 13 $R_m = 675 \text{ N/mm}^2$	2000	0,15
P12	Maraging and precipitation-hardening stainless steels	$500 < R_m < 1200$	X 5 CrNiCuNb 16 4 $R_m = 1100 \text{ N/mm}^2$	2100	0,17

## Free-cutting, austenitic and duplex stainless steels

SMG	Description	Properties	Reference	$k_{c1.1}$	$m_c$
M1	Free-cutting austenitic stainless steels		X 10 CrNiS 18 9	1700	0,14
M2	Low-alloy austenitic stainless steels		X 5 CrNi 18 10	1920	0,18
M3	Medium-alloy austenitic stainless steels		X 2 CrNiMo 18 14 3	2070	0,17
M4	High-alloy austenitic and duplex stainless steels		X 2 CrNiMoN 22 5 3	2230	0,16
M5	Difficult high-alloy austenitic and duplex stainless steels		X 2 CrNiMoN 25 7 4	2510	0,13



## Cast irons

SMG	Description	Properties	Reference	$k_{c1.1}$	$m_c$
K1	Grey cast irons (GCI)		EN-GJL-250	930	0,32
K2	Compacted graphite irons (CGI)		EN-GJV-400	1000	0,35
K3	Malleable cast irons (MCI)		EN-GJMB-550-4	1050	0,37
K4	Nodular cast irons (SGI)		EN-GJS-500-7	1160	0,37
K5	Austempered ductile irons (ADI)		EN-GJS-1000-5		
K6	Austenitic lamellar cast irons		EN-GJLA-XNiCuCr15-6-2		
K7	Austenitic nodular cast irons		EN-GJSA-XNiMn23-4		

## Non-ferrous metals

SMG	Description	Properties	Reference	$k_{c1.1}$	$m_c$
N1	Aluminium alloys, Si < 9%		AW-7075		
N2	Aluminium alloys, 9% < Si < 16%		AC-44200 Si = 12%		
N3	Aluminium alloys, Si > 16%		AlSi17Cu5		
N11	Copper alloys		CW614N	740	0,26

## Superalloys and titanium

SMG	Description	Properties	Reference	$k_{c1.1}$	$m_c$
S1	Iron-based superalloys		Disalloy		
S2	Cobalt-based superalloys		Stellite 21		
S3	Nickel-based superalloys		Inconel 718	2530	0,21
S11	Titanium, low alloyed, ( $\alpha$ )		Ti		
S12	Titanium, medium alloyed, ( $\alpha+\beta$ )		TiAl6V4	1500	0,24
S13	Titanium, high alloyed, (near $\beta$ and $\beta$ )		Ti10V2Fe3Al		

## Hard materials

SMG	Description	Properties	Reference	$k_{c1.1}$	$m_c$
H3	Case-hardened steels	58 < HRC < 62	16 MnCr 5 60 HRC	2070	0,14
H5	Quenched & Tempered steels	38 < HRC < 56	42 CrMo 4 50 HRC	2320	0,18
H7	Quenched & Tempered steels Bearing steels	56 < HRC < 64	100 Cr 6 60 HRC	2480	0,17
H8	Tool steels High Speed Steels (HSS)	38 < HRC < 64	X 40 CrMoV 5 1 50 HRC	2750	0,20
H11	Martensitic stainless steels	38 < HRC < 50	X 20 Cr 13 45 HRC	2300	0,15
H12	Maraged and precipitation-hardened stainless steels	1200 < $R_m$ < 1650	X 5 CrNiCuNb 16 4 $R_m = 1450 \text{ N/mm}^2$	2410	0,17
H21	Manganese steels	23 < HRC < 64	X 120 Mn 12 50 HRC		
H31	White cast irons	50 < HRC < 64	EN-GJN-HV600(XCr11) 55 HRC		

## Other difficult materials

SMG	Description	Properties	Reference	$k_{c1.1}$	$m_c$
PM1	Low-alloy PM-materials		F-0008 Fe-0.7C		
PM2	Medium-alloy PM-materials		FLC-4608 Fe2Cu1.8Ni 0.5Mo0.2Mn0.8C		
PM3	High-alloy PM-materials Exhaust valve seat materials, etc.				
HF1	Hardfacing alloys Welded or plasma-deposited iron-based alloys				
HF2	Hardfacing alloys Welded or plasma-deposited cobalt- and nickel-based alloys				
CC1	Sintered tungsten carbide		G50		

## Plastics and Composites

SMG	Description	Properties	Reference	$k_{c1.1}$	$m_c$
TS1	Thermosetting polymers		Urea formaldehyde (UF)		
TS2	Thermosetting carbon-fibre composites		T300 T700 T800 HTA-S IMA - Epoxy (M21)...		
TS3	Thermosetting glass-fibre composites		Epoxy - HX..(42..)E glass (7781...)...		
TS4	Thermosetting aramide-fibre composites		Kevlar 49		
TP1	Thermoplastic polymers		Polycarbonate (PC)		
TP2	Thermoplastic carbon-fibre composites		PPS/PEEK - T300..		
TP3	Thermoplastic glass-fibre composites		PPS/PEEK - E glass or A glass...		
TP4	Thermoplastic aramide-fibre composites				

## Graphite

SMG	Description	Properties	Reference	$k_{c1.1}$	$m_c$
GR1	Graphite		R 8500		

## SMG

SMG	EN	EN-Nr	W-Nr	DIN	AFNOR	BS	UNI	JIS	SS	UNS		
P1	11 SMn 30	1.0715	1.0715	9 SMn 28	S 250	230 M 07		CF 9 SMn 28	SUM 22	1912	G12130	
	11 SMnPb 30	1.0718	1.0718	9 SMnPb 28	S 250 Pb			CF 9 SMnPb 28	SUM 22 L	1914	G12134	
	10 S 20	1.0721	1.0721	10 S 20	10 F 1	210 M 15		CF 10 S 20				
				1.0722	10 SPb 20	10 PbF 2		CF 10 SPb 20				
	15 SMn 13	1.0725	1.0723	15 S 20			210 A 15		SUM 32	1922		
	35 S20	1.0726	1.0726	35 S 20	35 MF 4	212 M 36				1957	G11400	
	46 S20	1.0727	1.0727	46 S 20	45 MF 4	212 M 44				1973	G11460	
	11 SMn 37	1.0736	1.0736	9 SMn 36	S 300	240 M 07		CF 9 SMn 36			G12150	
	11 SMn 37	1.0736	1.0736	9 SMn 36	S 300	240 M 07		CF 9 SMn 36			G12150	
	S235JR	1.0037	1.0037	St 37-2	E 24-2			Fe 360 B	STKM 12 C	1311		
	S235JRG2	1.0038	1.0116	St 37-3	E 24-3, E 24-4	4360-40 C		Fe 360 D FF		1312, 1313		
S275J2G3	1.0144	1.0144	St 44-3 N	E 28-3, E 28-4	4360-43 C		Fe 430 D FF	SM 41 C	1412, 1414			
C 10	1.0301	1.0301	C 10	34 C 10, XC 10	045 M 10		C 10	S 10 C		G10100		
			1.0401	C 15	37 C 12, XC 18	080 M 15	C 15, C 16			1350	G10170	
C22	1.0402	1.0402	C 22	C 20	050 A 20		C 20, C 21			1450	G10200	
S355JR	1.0570	1.0570	St 52-3	E 36-3, E 36-4	4360-50 C		Fe 510 B	SM 50 YA	2172, 2132			
C 15R	1.1141	1.1141	Ck 15	XC 15, XC 18	080 M 15		C 15, C 16	S 15 C, S 15 CK	1370	G10170		
			1.1158	Ck 25	XC 25	060 A 25	C 25	S 25 C		G10250		
			1.2162	21 MnCr 5	20 NC 5			SCR 420 H				
P3	16 Mo 3	1.5415	1.5415	15 Mo 3	15 D 3	1501-240	16 Mo 3			2912		
				1.5423	16 Mo 5		1503-245-420	16 Mo 5	SB 450 M		G45200	
	14 NiCr 14	1.5752	1.5752	14 NiCr 14	12 NC 15	655 M 13			SNC 815 (H)		G33106	
				1.5919	15 CrNi 6	16 NC 6	S 107	16 CrNi 4				
	18 NiCrMo 7 6	1.6587	1.6587	18 CrNiMo 7 6	18 NCD 6	820 A 16		18 NiCrMo 7				
	16 MnCr 5	1.7131	1.7131	16 MnCr 5	16 MC 5	527 M 17		16 MnCr 5	SCR 415	2511	G51170	
	16 MnCrS 5	1.7139	1.7139	16 MnCrS 5								
	20 MnCr 5	1.7147	1.7147	20 MnCr 5	20 MC 5			20 MnCr 5	SMnC 420 (H)		G51200	
	20 MnCrS 5	1.7149	1.7149	20 MnCrS 5	20 MnCrS 5				SMnC 21 H			
	13 CrMo 4 5	1.7335	1.7335	13 CrMo 4 4	15 CD 3,5	1501-620 Gr. 27		14 CrMo 4 5			2216	
				1.7337	16 CrMo 4 4	15 CD 4,5	1501-620 Gr. 27	14 CrMo 4 5			2216	
10 CrMo 9 10	1.7380	1.7380	10 CrMo 9 10	10 CD 9,10	1501-622 Gr. 31		12 CrMo 9 10			2218	J21890	
P4	C35		1.0501	C 35	55 C 35	060 A 35	C 35			1550	G10350	
	E 335	1.0503	1.0503	C 45	65 C 45	80 M 46	C 45	S 45 C		1650	G10430	
	C40		1.0511	C 40	60 C 40	080 M 40	C 40	S 40 C				
	E 360	1.0070	1.0535	St 70-2	A 70-2			Fe 690		1655		
	C60	1.0601	1.0601	C 60	CC 55	080 A 62		C 60				
				1.1157	40 Mn 4	35 M 5	150 M 36				G10600	
	G 28 Mn6	1.1165	1.1165	30 Mn 5		120 M 36			SMn 1 H, SCMn 2		G10390	
	C 35E	1.1181	1.1181	Ck 35	XC 38 H1	080 M 36	C 35	S 35 C		1572	G10340	
	C 45E	1.1191	1.1191	Ck 45	XC 42	080 M 46	C 45	S 45 C		1672	G10420	
	C 60E	1.1221	1.1221	Ck 60	XC 60	080 A 62	C 60	S 58 C		1665, 1678	G10640	
				1.1740	C 60 W	Y3 55			SK 7			
P5	55 SiCr7	1.7100	1.0904	55 Si 7	55 S 7	250 A 53	55 Si 8			2085, 2090		
			1.2330	35 CrMo 4	34 CD 4	708 A 37	35 CrMo 4			2234	T51620	
			1.2542	45 WCrV 7			BS 1	45 WCrV 8 KU			2710	T41901
		1.2714	1.2714	56 NiCrMoV 7			BH 224-5	56 NiCrMoV7-KU	SKT 4			T61206
			1.5121	46 MnSi 4								
			1.5710	36 NiCr 6	35 NC 6	640 A 35				SNC 236		
			1.5736	36 NiCr 10	35 NC 11			35 NiCr 9	SNC 631 (H)			
	36 CrNiMo 4		1.6511	36 CrNiMo 4	40 NCD 3	816 M 40		38 NiCrMo 4 (KB)				G98400
	34 CrNiMo 6	1.6582	1.6582	34 CrNiMo 6	35 NCD 6	817 M 40		35 NiCrMo 6 (KW)	SNM 447	2541	G43400	
	34 Cr 4	1.7033	1.7033	34 Cr 4	32 C 4	530 A 32		34 Cr 4 (KB)	SCR 430 (H)			G51320
	41 Cr 4	1.7035	1.7035	41 Cr 4	42 C 4	530 M 40		41 Cr 4	SCR 440 (H)			G51400
	25 CrMo 4	1.7218	1.7218	25 CrMo 4	25 CD 4 S	708 M 25		25 CrMo 4 (KB)	SCM 425	2225	G41300	
	42 CrMo 4	1.7225	1.7225	42 CrMo 4	42 CD 4	708 M 40		42 CrMo 4	SCM 440 (H)	2244	G41400	
	42 CrMo 4	1.7225	1.7225	42 CrMo 4	42 CD 4	708 M 40		42 CrMo 4	SCM 440 (H)	2244	G41400	
				1.7361	32 CrMo 12	30 CD 12	722 M 24	32 CrMo 12			2240	
	50 CrV 4	1.8159	1.8159	50 CrV 4	50 CV 4	735 A 50		51 CrV 4	SUP 10	2230	H61500	
41 CrAlMo 7 10	1.8509	1.8509	41 CrAlMo 7	40 CAD 6.12	905 M 39		41 CrAlMo 7	SACM 645	2940	K24065		
P6	C 67S	1.1231	1.1231	Ck 67	XC 68	060 A 67	C 70			1770	G10700	
	C 100S	1.1274	1.1274	Ck 101		060 A 96		SUP 4		1870	G10950	
	C 105U	1.1545	1.1545	C 105 W1	Y1 105		C 100 KU			1880		
				1.1645	C 105 W2	Y1 105		C 100 KU	SK 3			
			1.1663	C 125 W	Y2 120		C 120 KU	SK 2				

## SMG

U.N.E./I.H.A.	AISI / ASTM	GOST	ČSN	Misc. Brands	Condition	Structure
	1213				Annealed	
	12 L 13				Annealed	
	1108				Annealed	
	11 L 08				Annealed	
					Annealed	
	1140	40			Annealed	
	1146				Annealed	
	1215				Annealed	
	12 L 14				Annealed	
		16D			Annealed	
	A573 Grade 58	18kp	11 378		Annealed	
	A573 Grade 70	S114kP	11 448		Annealed	
	1010	10			Annealed	
F.1110	1015	15			Annealed	
	1020, 1023	20	12 024		Annealed	
		17G1S	11 523		Annealed	
F.1511	1015	15			Annealed	
F.1120	1025	25			Annealed	
					Annealed	
	A204 Grade A		15 020		Annealed	
	4520				Annealed	
	3310, 9314	20X2H4A	16 420		Annealed	
	4320		16 220		Annealed	
					Annealed	
F.1516	5115	12KHN2	14 220		Annealed	
		18HG			Annealed	
	5120	20KH	14 221		Annealed	
	5120 H	20KH			Annealed	
	A182-F11, A182-F12	12KHM	15 121		Annealed	
	A387 Grade 12 Cl. 2				Annealed	
F.155	A182-F22	12KH8	15 313		Annealed	
F.1130	1035	35	12 040		Annealed	
F.5110	1045	45	12 050		Annealed	
	1040	40	12 041		Annealed	
F.1150	1055	55			Annealed	
	1060	60	12 061		Annealed	
	1039	40G			Annealed	
	1330	30G2			Annealed	
F.1135	1035	35			Annealed	
F.1140	1045	45	12 050		Annealed	
F.1150	1064	60			Annealed	
	1060	60			Annealed	
F.144	9255	55S2			Annealed	
F.1250	4135	35KHM			Annealed	
F.5241	S1	5KHV2S			Annealed	
	L6	5KHNv			Annealed	
	5045				Annealed	
	3135				Quenched & Tempered	
	3435				Annealed	
	9840				Quenched & Tempered	
F.1280	4340	38H2N2MA	16 343		Annealed	
	5132	35KH			Quenched & Tempered	
	5140	40H	14 140		Quenched & Tempered	
F.1251	4130	20KHM	15 130		Quenched & Tempered	
F.1252	4142, 4140	38HM	15 142		Annealed	
F.1252	4142, 4140	38HM	15 142		Quenched & Tempered	
					Quenched & Tempered	
F.143	6150	50KHFA	15 260		Quenched & Tempered	
F.1740	A355 Cl. A				Annealed	
F.5103	1070	70			Annealed	
F.5117	1095				Annealed	
F.5118	W1	U10A			Annealed	
		U10			Annealed	
	W1	U13			Annealed	

## SMG

SMG	EN	EN-Nr	W.-Nr	DIN	AFNOR	BS	UNI	JIS	SS	UNS
P7	107 CrV 3	1.2210	1.2210	115 CrV 3	100 C 3		107 CrV 3 KU			T61202
			1.2510	100 MnCrW 4	90 MWCV 5	BO 1	95 MnWCr 5 KU	SKS 3	2140	T31501
	90 MnCrV 8	1.2842	1.2842	90 MnCrV 8	90 MV 8	BO 2	90 MnVCr 8 KU			T31502
	100 Cr 6	1.3505	1.3505	100 Cr 6	100 C 6	534 A 99	100 Cr 6	SUJ 2	2258	G51986
	X 210 Cr 12	1.2080	1.2080	X 210 Cr 12	Z 200 C 12	BD 3	X 210 Cr 13 KU	SKD 1		T30403
			1.2343	X 38 CrMoV 5 1	Z 38 CDV 5	BH 11	X 37 CrMoV 5 1 KU	SKD 6		T20811
	X 40 CrMoV 5 1	1.2344	1.2344	X 40 CrMoV 5 1	Z 40 CDV 5	BH 13	X 40 CrMo 5 1 1 KU	SKD 61	2242	T20813
	X 100 CrMoV 5	1.2363	1.2363	X 100 CrMoV 5 1	Z 100 CDV 5	BA 2	X 100 CrMoV 5 1 KU	SKD 12	2260	T30102
			1.2365	X 32 CrMoV 3 3	32 DCV 28	BH 10	30 CrMoV 12 27 KU	SKD 7		T20810
			1.2436	X 210 CrW 12			X 215 CrW 12 1 KU	SKD 2	2312	
			1.2601	X 165 CrMoV 12			X 165 CrMoV 12 KU		2310	
			1.2713	55 NiCrMoV 6	55 NCDV 7			SKT 4		T61206
	HS 6-5-2-5	1.3243	1.3243	S 6-5-2-5	Z 85 WDKCV 06-05-04-02		HS 6-5-2-5	SKH 55	2723	
	HS 2-10-1-8	1.3247	1.3247	S 2-10-1-8	Z 110 DKCWV 09-08-04	BM 42	HS 2-9-1-8	SKH 51		T11342
	HS 18-1-2-5	1.3255	1.3255	S 18-1-2-5	Z 80 WKCVC 18-05-04-01	BT 4	HS 18-1-1-5	SKH 3		T12004
	HS 6-5-2	1.3343	1.3343	S 6-5-2	Z 85 WDCV 06-05-04-02	BM 2	HS 6-5-2	SKH 9, SKH 51	2722	T11302
	HS 2-9-2	1.3348	1.3348	S 2-9-2	Z 100 DCWV 09-04-02-02		HS 2-9-2	SKH 58	2782	T11307
	HS 18-0-1	1.3355	1.3355	S 18-0-1	Z 80 WCV 18-04-01	BT 1	HS 18-0-1	SKH 2		T12001
	X 6 Cr 13	1.4000	1.4000	X 6 Cr 13	Z 6 C 12	403 S 17	X 6 Cr 13	SUS 403	2301	S41008
	X 12 Cr 13	1.4006	1.4006	X 10 Cr 13	Z 10 C 13	410 S 21	X 12 Cr 13	SUS 410	2302	S41000
	X 6 Cr 17	1.4016	1.4016	X 6 Cr 17	Z 8 C 17	430 S 15	X 8 Cr 17	SUS 430	2320	S43000
	X 20 Cr 13	1.4021	1.4021	X 20 Cr 13	Z 20 C 13	420 S 37	X 20 Cr 13	SUS 420 J 1	2303	S42000
	X 39 Cr 13	1.4031	1.4031	X 40 Cr 13	Z 40 C 14	420 S 45	X 40 Cr 14	SUS 420	2304	S40280
	X 70 CrMo 15	1.4109	1.4109	X 65 CrMo 14	Z 70 D 14			SUS 440 A		S44002
	X 90 CrMoV 18	1.4112	1.4112	X 90 CrMoV 18	Z 2 CND 18 05	409 S 19	X CrTi 12	SUS 440 B	2327	S44003
	X 105 CrMo 17	1.4125	1.4125	X 105 CrMo 17	Z 100 CD 17		X 105 CrMo 17	SUS 440 C		S44004
	X 3 CrNiMo 13 3	1.4313	1.4313	X 5 CrNi 13 4	Z 5 CN 13.4	425 C 11	X 6 CrNi 13 04	SCS 5	2385	S41500
	X 18 CrN 28	1.4749	1.4749	X 18 CrN 28	Z 18 C 25				2322	S44600
	X 6 NiCrTiMoV 25 15	1.4534	1.4534	X 3 CrNiMoAl 13 8 2						S13800
	X 4 CrNiCuNb 16 4	1.4540	1.4540	X 4 CrNiCuNb 16 4						S15500
		1.4540	1.4540	X 4 CrNiCuNb 16 4	Z 4 CNUNb 16.4 M					S15500
	X 4 CrNiCuNb 16 4	1.4540	1.4540	X 4 CrNiCuNb 16 4						S15500
	X 5 CrNiCuNb 16 4	1.4542	1.4542	X 5 CrNiCuNb 16 4				SUS 630		S17400
	X 5 CrNiCuNb 17 4	1.4548	1.4542	X 5 CrNiCuNb 17 4	Z 6 CNU 17.4			SCS 24, SUS 630		S17400
	X 7 CrNiAl 17 7	1.4564	1.4564	X 7 CrNiAl 17 7	Z 9 CAN 17.7	301 S 81	X 7 CrNiAl 17 7	SUS 631	2388	S17700
	X 2 NiCoMoTi 18 12 4	1.6356	1.6356	X 2 NiCoMoTi 18 12 4						K93160
	X 2 NiCoMoTi 18 9 5	1.6358	1.6358	X 2 NiCoMoTi 18 9 5	Z 2 NKD 19-09					K93120
	X 2 NiCoMo 18 9 5	1.6358	1.6358	X 2 NiCoMoTi 18 9 5	Z 2 NKD 19-09					K93120
	X 2 NiCoMo 18 8 5	1.6359	1.6359	X 2 NiCoMo 18 8 5		S 162				K92890
	X 2 NiCoMo 18 8 5	1.6359	1.6359	X 2 NiCoMo 18 8 5		S 162				K92890
M1	X 10 CrNiS 18 9	1.4305	1.4305	X 10 CrNiS 18 9	Z 10 CNF 18.09	303 S 31	X 10 CrNi 18 09	SUS 303	2346	S30300
	X 2 CrNi 19 11	1.4306	1.4306	X 2 CrNi 19 11	Z 2 CN 18.10	304 S 12	X 3 Cr Ni 18 11	SUS 304 L	2352	S30403
	X 5 CrNi 18 10	1.4301	1.4301	X 5 CrNi 18 10	Z 6 CN 18.09	304 S 31	X 5 CrNi 18 11	SUS 304	2333	S30400
	X 5 CrNiMo 17 12 2	1.4401	1.4401	X 5 CrNiMo 17 12 2	Z 3 CND 17.11.1	316 S 31	X 5 CrNiMo 17 12	SUS 316	2347	S31600
	X 6 CrNiNb 18 10	1.4550	1.4550	X 6 CrNiNb 18 10	Z 6 CNNb 18.10	347 S 31	X 6 CrNiNb 18 11	SUS 347	2338	S34700
	X 9 CrNi 18 8	1.4310	1.4310	X 12 CrNi 17 7	Z 12 CN 17.07	301 S 21	X 12 CrNi 17 07	SUS 301	(2331)	S30100
	X 12 CrNi 18 8	1.4300	1.4300	X 12 CrNi 18 8	Z 12 CN 18	302 S 25		SUS 302	2331	S30200
	X 2 CrNiMo 18 14 3	1.4435	1.4435	X 2 CrNiMo 18 14 3	Z 2 CND 17.13	316 S 12	X 2 CrNiMo 17 13 2	SCS 16, SUS 316 L	2353	S31603
	X 2 CrNiMoN 17 13 3	1.4429	1.4429	X 2 CrNiMoN 17 13 3	Z 2 CND 17.13 Az	316 S 62	X 2 CrNiMoN 17 13 3	SUS 316 LN	2375	S31653
	X 2 CrNiN 18 10	1.4311	1.4311	X 2 CrNiN 19 11	Z 2 CN 18. 10 Az	304 S 62	X 2 CrNiN 18 11	SUS 304 LN	2371	S30453
	X 3 CrNiMo 18 12 3	1.4466	1.4466	X 5 CrNi 18 15		317 S 16	X 5 CrNi 18 15	SUS 317	2366	S31700
	X 9 CrNiSiNCo 21 11 2	1.4835	1.4893	X 9 CrNiSiNCo 21 11 2		310 S 31			2368	S30815
	X 12 CrNi 25 21	1.4335	1.4335	X 12 CrNi 25 21	Z 12 CN 25.20	310 S 24	X 6 CrNi 26 20	SUH 310, SUS 310 S	2361	S31008
	X 2 CrNiMo 22 5 3	1.4462	1.4462	X 2 CrNiMoN 22 5	Z 2 CND 22.05 Az	332 S 15	X 2 CrNiMoN 22 5		2377	S31803
	X 2 CrNiMoSi 19 5	1.4424	1.4417	X 2 CrNiMoSi 19 5	Z 2 CND 18.05.03				2376	S31500
	X 2 NiCrMoCu 25 20 5	1.4539	1.4539	X 2 NiCrMoCu 25 20 5	Z 2 NCDU 25 20	904 S 13			2562	N08904
	X 3 CrNiMo 27 5 2	1.4460	1.4460	X 4 CrNiMo 27 5 2	Z 3 CND 25.7 Az		X 3 CrNiMo 27 5 2	SUS 329 J 1	2324	S32900
	X 5 CrNiCuNb 16 4	1.4980	1.4943	X 4 NiCrTi 25 15	Z 6 NCTDV 25.15	HR 51		SUH 660	2570	S66286
	X 1 CrNiMoN 20 18 7	1.4547	1.4529	X 1 CrNiMoN 20 18 7	Z 1 CNDU 20.18.05 Az		X 1 CrNiMoN 20 18 7		2778	S31254
	X 1 CrNiMo 25 22 8	1.4652	1.4652	X 2 CrNiMoN 25 22 7						S32654
	X 10 NiCrAlTi 32 20	1.4876	1.4876	X 10 NiCrAlTi 32 20	Z 10 NC 32.21			NCF 800		N08800
	X 2 CrNiMoN 25 7 4	1.4410	1.4410	X 2 CrNiMoN 25 7 4	Z 3 CND 25.07 Az		X 2 CrNiMoN 25 7 4		2328	S32750

## SMG

U.N.E./ I.H.A.	AISI / ASTM	GOST	ČSN	Misc. Brands	Condition	Structure
F.520L	L2	11KHF			Annealed	
F.5220	O1	9KHVG			Annealed	
	O2	9G2F			Annealed	
F.5230	52100	SHKH15	14 109		Annealed	
F.5212	D3	KH12			Annealed	
	H11	4KH5MFS			Annealed	
F.5318	H13	4KH5MF1S			Annealed	
F.5227	A2	9KH5VF			Annealed	
	H10	3KH3M3F			Annealed	
F.5213		KH12			Annealed	
		KH12MF			Annealed	
F.520.S	L6	5KHNM			Annealed	
F.5613	M35	R6M5K5			Annealed	
	M42	R2AM9K5			Annealed	
	T4	R18K5F2			Annealed	
F.5603	M2	R6M5			Annealed	
	M7				Annealed	
	T1	R18			Annealed	
	403	08KH13			Annealed	Ferritic
F.3401	410, CA-15	12KH13, 08KH13			Annealed	Martensitic
F.3113	430	12KH17			Annealed	Ferritic
F.5261	420	20KH13	17 022		Annealed	Martensitic
F.3404	420	40KH13			Annealed	Martensitic
	440 A				Annealed	Martensitic
	440 B	95KH18			Annealed	Martensitic
	440 C	95KH18			Annealed	Martensitic
	A182 F6NM			F6NM	Annealed	Martensitic
	446	15KH28			Annealed	Ferritic
	XM-13			PH 13-8 Mo	Solution annealed	Austenitic
	XM-12			15-5 PH	H1150	Martensitic
	XM-12			15-5 PH	Solution annealed	Martensitic
	XM-12			15-5 PH	H1025	Martensitic
	SAE 630			17-4 PH	H1150	Martensitic
	630			17-4 PH	Solution annealed	Martensitic
	631	09KH17N7YU1		17-7 PH	Solution annealed	Austenitic/Ferritic
	AMS 6515			Marage 350	Solution annealed	Martensitic
	AMS 6521			Marage 300	Solution annealed	Martensitic
	AMS 6514			Marage 300, Vascomax C300	Solution annealed	Martensitic
	AMS 6512			Marage 250	Solution annealed	Martensitic
	AMS 6512			Marage 250, Vascomax C250	Solution annealed	Martensitic
F.3508	303	12KH19N9			Annealed	Austenitic
F.3504	304 L	03KH18N11			Annealed	Austenitic
F.3504	304	08KH18N10	17 240		Annealed	Austenitic
F.3534	316	08KH17H13M2T	17 346		Annealed	Austenitic
F.3524	347	08KH18N12B			Annealed	Austenitic
F.3517	301	07KH16N6			Annealed	Austenitic
	302	12KH18N9			Annealed	Austenitic
F.3533	(316 L)	03KH17N14M3	17 349		Annealed	Austenitic
	316 LN	03KH16N15M3			Annealed	Austenitic
F.3541	304 LN	03KH18N11			Annealed	Austenitic
	317	08KH17H15M3T			Annealed	Austenitic
				253 MA	Annealed	Austenitic
	310 S	12KH25N20			Annealed	Austenitic
	329 LN			SAF 2205	Annealed	Duplex
				3RE60	Annealed	Duplex
	904L				Annealed	Super austenitic
	329				Annealed	Duplex
	660			A286	Solution annealed	Austenitic
				254 SMO	Annealed	Super austenitic
				654 SMO	Annealed	Super austenitic
				Alloy 800	Annealed	Austenitic
	F 53			SAF 2507	Annealed	Super duplex

## SMG

SMG	EN	EN-Nr	W.-Nr	DIN	AFNOR	BS	UNI	JIS	SS	UNS
K1	EN-GJL-150	0.6150	0.6150	GG-15	F1 15 D	Grade 150	G15	FC 150	01 15-00	F11601
	EN-GJL-200	0.6200	0.6200	GG-20	F1 20 D	Grade 220	G20	FC 200	01 20-00	F12101
	EN-GJL-250	0.6250	0.6250	GG-25	F1 25 D	Grade 260	G25	FC 250	01 25-00	F12401
	EN-GJL-350	0.6350	0.6350	GG-35	F1 35 D	Grade 350	G35	FC 350	01 35-00	F13502
	EN-GJL-215			GG-220 HB					02 19	
K2	EN-GJV-300			GJV-300						
	EN-GJV-350			GJV-350						
	EN-GJV-400			GJV-400						
	EN-GJV-450			GJV-450						
	EN-GJV-500			GJV-500						
K3	EN-GJMB-550-4	0.8155		GTS-55-04	P 540/5	P 540/5	P 55-04	PCMP55-04	08 54-00	F24130
K4	EN-GJS-350-22	0.7033	0.7033	GGG-35.3	FGS 370-17	Grade 350/22		FCD 350-22L	07 17-15	
	EN-GJS-400-15	0.7040	0.7040	GGG-40	FGS 400-12	Grade 420/12	GS 400-12	FCD 400-18L	07 17-02	F32800
	EN-GJS-400-18	0.7043	0.7043	GGG-40.3	FGS 370-17	Grade 370/17	GSO 42/17		07 17-12	F32800
	EN-GJS-500-7	0.7050	0.7050	GGG-50	FGS 500-7	Grade 500/7	GS 500-7	FCD 500-7	07 27-02	F33800
	EN-GJS-600-3	0.7060	0.7060	GGG-60	FGS 600-3	Grade 600/3	GS 600-3	FCD 600-3	07 32-03	F34100
	EN-GJS-700-2	0.7070	0.7070	GGG-70	FGS 700-2	Grade 700/2	GS 700-2	FCD 700-2	07 37-01	F34800
K5	EN-GJS-1000-5			GJS-1000-5						ADI grade 5
	EN-GJS-1200-2			GJS-1200-2						ADI grade 2
	EN-GJS-1400-1			GJS-1400-1						ADI grade 3
	EN-GJS-800-8			GJS-800-8						ADI grade 4
K6	EN-GJLA-XNiCr 20-2	0.6660	0.6660	GGL-NiCr 20 2	FGL Ni20 Cr2	Grade F2			05 23-00	F41002
	EN-GJLA-XNiCr 30-3	0.6676	0.6676	GGL-NiCr 30 3	FGL Ni30 Cr3	Grade F3				F41004
	EN-GJLA-XNiCuCr 15-6-2	0.6655	0.6655	GGL-NiCuCr 15 6 2	FGL Ni15 Cu6 Cr2	Grade F1				F41000
K7	EN-GJSA-XNiMn 13-7	0.7652	0.7652	GGG-NiMn 13 7	FGS Ni13 Mn7	Grade S6			07 72-00	
	EN-GJSA-XNiCr 20-2	0.7660	0.7660	GGG-NiCr 20 2	FGS Ni20 Cr2	Grade S2				F43000
	EN-GJSA-XNiMn 23-4	0.7673	0.7673	GGG-NiMn 23 4	FGS Ni23 Mn4	Grade S2M				F43010
	EN-GJSA-XNiCr 30-3	0.7676	0.7676	GGG-NiCr 30 3	FGS Ni30 Cr3	Grade S3				F43003
	EN-GJSA-XNi 35	0.7683	0.7683	GGG-Ni 35	FGS Ni35					F43006
N1	AW-1050A	Al99.5	3.0255	Al99.5	A-5/1050A	1B		(A1050)	4007	AA1050A
	AW-2011	AlCuBiPb	3.1655	AlCuBiPb	A-U5PbBi/2011	FC1		A2011	4355	AA2011
	AW-2014	AlCuSiMn	3.1255	AlCuSiMn	A-U4SG/2014	H15			4338	AA2014
	AW-5005	AlMg1	3.3315	AlMg1	A-G0.6	N41			4106	AA5005
	AW-6060	AlMgSi0.5	3.3206	AlMgSi0.5	A-GS/6060	(H9)			4103	AA6060
	AW-6063	AlMgSi0.7	3.3210	AlMgSi0.7	A-GSUC/6061	(H10)		(A6063)	4104, 4107	AA6005
	AW-3103	AlMn1	3.0515	AlMn1		N3			4054	AA3103
	AW-3003	AlMn1Cu	3.0517	AlMn1Cu	A-M1/3003			A3003		AA3003
	AW-7020	AlZn4.5Mg1	3.4335	AlZn4.5Mg1	A-Z5G/7020	H17			4425	AA7020
	AW-7075		3.4365	AlZnMgCu1.5	A-Z5GU/7075	2L95/2L96			A7075	AA7075
	AC-42000		3.2341	G-ALSi5Mg	A-S7G	LM25	3599		AC 4C	4244
	AC-46200	AlSi8Cu3(Si)	3.2161	G-ALSi8Cu3					4251	A13800
	MG-P-63	MgAl6Zn	3.5612	G-MgAl6Zn	G-A6-Z1	MAG-E-121				M11600
	MG-P-61	MgAl8Zn	3.5812	G-MgAl8Zn	(G-A7-Z1)					
	MN65120	MgSe3Zn2Zr1	3.5103	G-MgSe3Zn2Zr1	ZRE1	MAG6-TE				M12330
	N2	AC-43400	AlSi10Mg(Fe)	3.2381	G-ALSi10Mg	A-S10G	LM9			4253
AC-44200		AlSi12	3.2382	GD-ALSi12						
N3	AW-6082	AlMgSi1	3.2315	AlMgSi1	A-SGM0.7/6082	H30			4212	AA6082
		AlSi17Cu5						ADC14		
N11	CC331G		2.0940.01	CuAl10Fe	CuAl10Fe	AB1			5710	C95200
	CC333G		2.0975.01	CuAl10Ni	CuAl10Ni5Fe5	AB2			5716	C95500
		CuNi10Fe1Mn	2.0872	CuNi10Fe1Mn	CuNi10Fe1Mn	CN102			5667	C70600
				CuNi10Zn45						
		CW408J	2.0790	CuNi18Zn19Pb	CuNi18Zn19Pb1					C76300
	CW352H		2.1176	CuPb10Sn	CuSn10Pb10	LB2			5640	C93700
	CC480K		2.1050.01	CuSn10	CuSn10	CT1			5443	C90700
			2.1087	CuSn10Zn					5458	C90500
	CW452K	CuSn6	2.1020	CuSn6	CuSn6	PB103		C5191	5428	C51900
	CW502L	CuZn15	2.0240	CuZn15	CuZn15	CZ102		C2300	5112	C23000
	CW706R	CuZn28Sn1	2.0470	CuZn28Sn1	CuZn29Sn1				5220	C44300
	CW508L	CuZn37	2.0321	CuZn37	CuZn37	CZ108			5150	C27200
	CW717R	CuZn38Sn1	2.0530	CuZn38Sn1						C46400
	CW614N	CuZn39Pb3	2.0401	CuZn39Pb3	CuZn39Pb3	CZ121			5170	C38500
	CW612N	CuZn40Pb2	2.0402	CuZn40Pb2	CuZn39Pb2	CZ120			5168	C37800
	CW622N	CuZn44Pb2	2.0410	CuZn44Pb2		CZ104			5272	C68700





## SMG

SMG	EN	EN-Nr	W-Nr	DIN	AFNOR	BS	UNI	JIS	SS	UNS	
S1											
S2											
S3	NiMo30		2.4810							N10002	
	NiMo16Cr15W		2.4819							N10276	
	NiCr19Fe19Nb5Mo3		2.4668							N07718	
	NiCr20TiAl		2.4631							N07080	
	NiCr19Co18Mo4Ti3Al3									N07500	
	NiCr20Co13Mo4Ti3Al		2.4654							N07001	
S11			3.7024							R54620	
S12	TiAl6V4		3.7164							R56320 R56400	
S13				TiV10Fe2Al3							
H3	16 MnCr 5	1.7131	1.7131	16 MnCr 5	16 MC 5	527 M 17	16 MnCr 5	SCR 415	2511	G51170	
	C 67S	1.1231	1.1231	Ck 67	XC 68	060 A 67	C 70		1770	G10700	
H5	C 75S	1.1248	1.1248	Ck 75	XC 75	060 A 78	C 75		1774, 1778	G10780	
	C 100S	1.1274	1.1274	Ck 101		060 A 96		SUP 4	1870	G10950	
	C 105U	1.1545	1.1545	C 105 W1	Y1 105				1880		
			1.2550	60 WCrV 7	55 WC 20			55 WCrV 8 KU			
	55 Cr 3	1.7176	1.7176	55 Cr 3	55 C 3	527 A 60	55 Cr 3	SUP 9 (A)	2253	G51550	
	42 CrMo 4	1.7225	1.7225	42 CrMo 4	42 CD 4	708 M 40	42 CrMo 4	SCM 440 (H)	2244	G41400	
H7	107 CrV 3	1.2210	1.2210	115 CrV 3	100 C 3		107 CrV 3 KU			T61202	
			1.2510	100 MnCrW 4	90 MWCV 5	BO 1	95 MnWCr 5 KU	SKS 3	2140	T31501	
	90 MnCrV 8	1.2842	1.2842	90 MnCrV 8	90 MV 8	BO 2	90 MnVCr 8 KU			T31502	
	100 Cr 6	1.3505	1.3505	100 Cr 6	100 C 6	534 A 99	100 Cr 6	SUJ 2	2258	G51986	
H8	X 40 CrMoV 5 1	1.2344	1.2344	X 40 CrMoV 5 1	Z 40 CDV 5	BH 13	X 40 CrMo 5 1 1 KU	SKD 61	2242	T20813	
	X 100 CrMoV 5	1.2363	1.2363	X 100 CrMoV 5 1	Z 100 CDV 5	BA 2	X 100 CrMoV 5 1 KU	SKD 12	2260	T30102	
	X 155 CrVMo 12 1		1.2379	X 155 CrVMo 12 1	Z 160 CDV 12	BD 2	X 155 CrVMo 12 1 KU	SKD 11		T30402	
			1.2436	X 210 CrW 12			X 215 CrW 12 1 KU	SKD 2	2312		
			1.2601	X 165 CrMoV 12			X 165 CrMoW 12 KU		2310		
			1.2713	55 NiCrMoV 6	55 NCDV 7			SKT 4		T61206	
	HS 6-5-2-5	1.3243	1.3243	S 6-5-2-5	Z 85 WDKCV 06-05-05-04-02		HS 6-5-2-5	SKH 55	2723		
	HS 2-10-1-8	1.3247	1.3247	S 2-10-1-8	Z 110 DKCWV 09-08-	BM 42	HS 2-9-1-8	SKH 51		T11342	
H11	HS 18-0-1	1.3355	1.3355	S 18-0-1	Z 80 WCV 18-04-01	BT 1	HS 18-0-1	SKH 2		T12001	
	X 20 Cr 13	1.4021	1.4021	X 20 Cr 13	Z 20 C 13	420 S 37	X 20 Cr 13	SUS 420 J 1	2303	S42000	
	X 70 CrMo 15	1.4109	1.4109	X 65 CrMo 14	Z 70 D 14			SUS 440 A		S44002	
	X 90 CrMoV 18	1.4112	1.4112	X 90 CrMoV 18	Z 2 CND 18 05	409 S 19	X CrTi 12	SUS 440 B	2327	S44003	
H12	X 105 CrMo 17	1.4125	1.4125	X 105 CrMo 17	Z 100 CD 17		X 105 CrMo 17	SUS 440 C		S44004	
	X 4 CrNiCuNb 16 4	1.4540	1.4540	X 4 CrNiCuNb 16 4						S15500	
	X 5 CrNiCuNb 16 4	1.4542	1.4542	X 5 CrNiCuNb 16 4				SUS 630		S17400	
	X 5 CrNiCuNb 16 4	1.4542	1.4542	X 5 CrNiCuNb 16 4				SUS 630		S17400	
	X 7 CrNiAl 17 7	1.4568	1.4568	X 7 CrNiAl 17 7	Z 9 CAN 17.7	301 S 81	X 7 CrNiAl 17 7	SUS 631	2388	S17700	
	X 8 CrNiMoAl 15 7 5	1.4574	1.4574	X 8 CrNiMoAl 15 7 5						S15700	
	X 6 NiCrTiMoV 25 15	1.4980	1.4943	X 4 NiCrTi 25 15	Z 6 NCTDV 25.15	HR 51		SUH 660	2570	S66286	
	X 2 NiCoMo 18 8 5	1.6359	1.6359	X 2 NiCoMo 18 8 5		S 162				K92890	
	X 2 NiCoMoTi 18 9 5	1.6358	1.6358	X 2 NiCoMoTi 18 9 5	Z 2 NKD 19-09					K93120	
	X 2 NiCoMoTi 18 9 5	1.6358	1.6358	X 2 NiCoMoTi 18 9 5	Z 2 NKD 19-09					K93120	
H21	X 120 Mn 12	1.3401	1.3401	X 120 Mn 12	Z 120 M 12	BW 10		SC MnH 1	2183		
	EN-GJN-HV520	0.9620	0.9620	G-X330 NiCr 4 2	FB Ni4 Cr2 BC	Grade 2 A			05 12-00	F45001	
H31	EN-GJN-HV550	0.9625	0.9625	G-X260 NiCr 4 2	FB Ni4 Cr2 HC	Grade 2 B			05 13-00	F45000	
	EN-GJN-HV600(XCr11)	0.9630	0.9630	G-X300 CrNiSi 9 5 2	FB Cr9 Ni5	Grade 2 C, D, E			04 57-00	F45003	

## SMG

U.N.E./I.H.A.	AISI / ASTM	GOST	ČSN	Misc. Brands	Condition	Structure
				Discalloy	Precipitation hardened	
				Haynes 25		
				Stellite 21		
				Hastelloy C		
		KHN65MV		Hastelloy C-276		
				IN 100		
				Inconel 718		
				Inconel X-750	Solution annealed	
				Nimonic 80A		
				René 41		
				Udimet 500		
				Waspalloy		
				Ti	Commercially pure	Ti ( $\alpha$ )
	AMS 4919			Ti 6-2-4-2	Annealed	Ti ( $\alpha$ )
	AMS 4943			Ti 3Al-2.5V (grd 9)	Annealed	Ti ( $\alpha+\beta$ )
	AMS 4920, Grade 5	VT6		Ti 6Al-4V	Annealed	Ti ( $\alpha+\beta$ )
	AMS 4986			Ti 10V-2Fe-3Al	Annealed	Ti ( $\beta$ )
F.1516	5115	12KHN2	14 220		Case hardened	
F.5103	1070	70			Quenched & Tempered	
F.5107	1078, 1080	75			Quenched & Tempered	
F.5117	1095				Quenched & Tempered	
F.5118	W1	U10A			Quenched & Tempered	
	S1	5KHV2SF			Quenched & Tempered	
	5155				Quenched & Tempered	
F.1252	4142, 4140	38HM	15 142		Quenched & Tempered	
F.520L	L2	11KHF			Quenched & Tempered	
F.5220	O1	9KHVG			Quenched & Tempered	
	O2	9G2F			Quenched & Tempered	
F.5230	52100	SHKH15	14 109		Quenched & Tempered	
F.5318	H13	4KH5MF1S			Quenched & Tempered	
F.5227	A2	9KH5VF			Quenched & Tempered	
F.5211	D2	KH12MF			Quenched & Tempered	
F.5213		KH12			Quenched & Tempered	
		KH12MF			Quenched & Tempered	
F.520.S	L6	5KHNM			Quenched & Tempered	
F.5613	M35	R6M5K5			Quenched & Tempered	
	M42	R2AM9K5			Quenched & Tempered	
	T1	R18			Quenched & Tempered	
F.5261	420	20KH13	17 022		Quenched & Tempered	Martensitic
	440 A				Quenched & Tempered	Martensitic
	440 B	95KH18			Quenched & Tempered	Martensitic
	440 C	95KH18			Quenched & Tempered	Martensitic
	XM-12			15-5 PH	H900	Martensitic
	SAE 630			17-4 PH	H1025	Martensitic
	SAE 630			17-4 PH	H900	Martensitic
	AMS 5528	09KH17N7YU1		17-7 PH	TH1050	Martensitic
	632			PH 15-7 Mo	TH1050	Martensitic
	660			A286	Precipitation hardened	Austenitic
	AMS 6512			Marage 250	Precipitation hardened	Martensitic
	AMS 6521			Marage 300	Precipitation hardened	Martensitic
	AMS 6521			Marage 300	Precipitation hardened	Martensitic
	AMS 6515			Marage 350	Precipitation hardened	Martensitic
	A128 Grade A			Hadfield		
	A532 IB (NiCr-LC)			Ni-Hard 2		White cast iron
	A532 IA (NiCr-HC)			Ni-Hard 1		White cast iron
	A532 ID (Ni-HiCr)			Ni-Hard 4		White cast iron

## Cemented carbide inserts and insert carriers

Cemented carbide inserts and cemented carbide insert carriers from Seco Tools are not included in the product range intended for the following requirements. Nevertheless Seco Tools can make the following declaration.

These products meet all requirements in RoHS (Restriction of the use of certain Hazardous Substances in electrical and electronic equipment), WEEE (Waste Electrical & Electronic Equipment) and ELV (End of Life Vehicles) requirements.

Products do not contain mercury, lead, hexavalent chromium, cadmium, CFC, HCFC, flame retardants or solvents in concentrations that exceed specifications in the regulations.

### Regrinding:

Wet or dry grinding can produce potentially hazardous dusts or mists that can irritate skin, eyes, nose, throat and result in lung damage or disease. To avoid injury use proper safety precautions and protective equipment.

### Disposal:

Seco Tools will buy back used inserts and solid carbide tools for recycling. Inserts and solid carbide tools should be separated from other metal waste (steel, aluminium, copper etc).

All packing material is fully recyclable.

## CBN and PCD inserts

Inserts from Seco Tools are not included in the product range intended for the following requirements. Nevertheless Seco Tools can make the following declaration.

This product meets all requirements in RoHS (Restriction of the use of certain Hazardous Substances in electrical and electronic equipment), WEEE (Waste Electrical & Electronic Equipment) and ELV (End of Life Vehicles) requirements.

Products do not contain mercury, lead, hexavalent chromium, cadmium, CFC, HCFC, flame retardants or solvents in concentrations that exceed specifications in the regulations.

### Regrinding:

Wet or dry grinding can produce potentially hazardous dusts or mists that can irritate skin, eyes, nose, throat and result in lung damage or disease. To avoid injury use proper safety precautions and protective equipment.

### Disposal:

Seco Tools will buy back used CBN- or PCD-tipped inserts for recycling. Inserts should be separated from other metal waste (steel, aluminium, copper etc). Solid CBN-inserts may be discarded as landfill waste.

All packing material is fully recyclable.

## Black oxide insert carriers

Insert carriers from Seco Tools are not included in the product range intended for the following requirements. Nevertheless Seco Tools can make the following declaration.

This product meets all requirements in RoHS (Restriction of the use of certain Hazardous Substances in electrical and electronic equipment), WEEE (Waste Electrical & Electronic Equipment) and ELV (End of Life Vehicles) requirements.

Products do not contain mercury, lead, hexavalent chromium, cadmium, CFC, HCFC, flame retardants or solvents in concentrations that exceed specifications in the regulations.

### Disposal:

Used insert carriers may be sent for recycling together with ordinary steel waste (swarf and discarded steel scrap) for recycling.

All packing material is fully recyclable.

## Cermet inserts

Inserts from Seco Tools are not included in the product range intended for the following requirements. Nevertheless Seco Tools can make the following declaration.

This product meets all requirements in RoHS (Restriction of the use of certain Hazardous Substances in electrical and electronic equipment), WEEE (Waste Electrical & Electronic Equipment) and ELV (End of Life Vehicles) requirements.

Cermet grade C15M inserts do contain nickel and will leach nickel when in contact with the skin. Amount of leaching is higher than specified in norm SS-EN 1811 Reference test method for release of nickel from products intended to come into direct and prolonged contact with the skin. These norms are intended for products that are in direct and prolonged contact with the skin and are therefore not directly applicable for cermet inserts. Persons with known allergic reactions to nickel are advised to wear protective gloves when handling cermet inserts.

### **Regrinding:**

Wet or dry grinding can produce potentially hazardous dusts or mists that can irritate skin, eyes, nose, throat and result in lung damage or disease. To avoid injury use proper safety precautions and protective equipment.

### **Disposal:**

Used inserts may be recycled. Inserts should be separated from other metal waste (steel, aluminium, copper, etc) including cemented carbide inserts.

All packing material is fully recyclable.

## Nickel coated insert carriers

Insert carriers from Seco Tools are not included in the product range intended for the following requirements. Nevertheless Seco Tools can make the following declaration.

This product meets all requirements in RoHS (Restriction of the use of certain Hazardous Substances in electrical and electronic equipment), WEEE (Waste Electrical & Electronic Equipment) and ELV (End of Life Vehicles) requirements.

Products do not contain mercury, lead, hexavalent chromium, cadmium, CFC, HCFC, flame retardants or solvents in concentrations that exceed specifications in the regulations.

Insert carriers do contain nickel and will leach nickel when in contact with the skin. Amount of leaching is not higher than norm SS-EN 1811 Reference test method for release of nickel from products intended to come into direct and prolonged contact with the skin.

These norms are intended for products that are in direct and prolonged contact with the skin and are therefore not directly applicable for insert carriers. Persons with known allergic reactions to nickel are advised to wear protective gloves when handling nickel coated insert carriers.

### **Disposal:**

Used tools maybe sent for recycling together with ordinary steel waste (swarf and discarded steel scrap) for recycling.

All packing material is fully recyclable.

## Intentionally added alloying elements

Grade	Cemented carbide												Coating						
	W	Ti	Ta	Nb	Co	Cr	Ni	Mo	C	N	Ru	Ti	Al	C	N	O	Si	Nb	
CP20	■				■				■			■			■				
CP200	■				■	■			■			■	■		■				
CP300	■	■	■	■	■				■			■	■		■				
CP500	■				■	■			■			■	■		■				
CP600	■				■	■			■			■	■		■				
C15M	■	■	■	■	■			■	■	■									
CF	■				■			■	■	■									
CM	■				■			■	■	■									
DP2000	■				■				■			■	■		■	■			
DP3000	■	■		■	■				■		■	■	■	■	■	■			
DS2050	■				■	■			■			■	■		■				■
DS4050	■				■	■			■			■	■		■				■
F15M	■				■	■			■			■	■		■				
F25M	■	■	■	■	■				■			■	■		■				
F30M	■				■	■			■			■	■		■				
F40M	■				■	■			■			■	■		■				
HX	■				■				■										
H02	■				■	■			■			■	■		■				
H15	■				■	■			■										
H25	■				■	■			■										
KX	■				■	■			■										
MH1000	■				■	■			■			■	■		■				
MK1500	■				■	■			■			■	■	■	■	■			
MK2050	■				■	■			■			■	■		■			■	
MM4500	■				■	■			■			■	■	■	■	■			
MP1020	■	■			■	■			■			■	■		■				
MP1500	■				■	■			■			■	■		■	■			
MP2050	■				■	■			■		■	■	■		■			■	
MP2500	■				■	■			■			■	■		■	■			
MP3000	■				■	■			■			■	■		■	■			
MS2500	■				■	■			■			■	■		■	■			
MS2050	■				■	■			■			■	■		■	■			
RX1500	■				■	■		■	■			■	■		■				
RX2000	■				■	■			■			■	■		■				
RM2020	■				■	■			■			■	■		■				
RM2090	■				■	■			■			■	■		■			■	
RN2010	■				■	■			■			■	■		■				
RS2090	■				■	■			■			■	■		■			■	
T350M	■				■	■			■			■	■		■	■			
T25M	■				■	■			■			■	■		■				
TGH1050	■				■	■			■			■	■		■			■	
TGK1500	■				■	■			■			■	■		■			■	
TGP25	■	■			■	■			■			■	■		■	■			
TGP35	■				■	■			■			■	■		■	■			
TGP45	■				■	■			■			■	■		■	■			
TH1000	■				■	■			■			■	■		■	■			■
TH1500	■				■	■			■			■	■		■	■			
TK0501	■				■	■			■			■	■		■	■			
TK1501	■				■	■			■			■	■		■	■			
TM2000	■	■			■	■			■		■	■	■		■	■			
TM4000	■	■			■	■			■	■		■	■		■	■			
TP0501	■	■			■	■			■			■	■		■	■			
TP1020	■	■			■	■			■		■	■	■		■	■			
TP1030	■	■			■	■			■			■	■		■	■			■
TP1500	■	■			■	■			■		■	■	■		■	■			
TP1501	■	■			■	■			■		■	■	■		■	■			
TP200	■	■			■	■			■		■	■	■		■	■			
TP2500	■	■			■	■			■		■	■	■		■	■			
TP2501	■	■			■	■			■		■	■	■		■	■			
TP3501	■	■			■	■			■		■	■	■		■	■			
TP40	■				■	■			■			■	■		■				
TS2000	■				■	■			■			■	■		■				
TS2050	■				■	■			■			■	■		■			■	
TS2500	■				■	■			■			■	■		■				
T250D	■				■	■			■			■	■		■				
T400D	■				■	■			■			■	■		■				
T100R	■				■	■			■			■	■		■				
T60M	■	■			■	■			■			■	■		■				
883	■				■	■			■			■	■		■				
890	■				■	■			■			■	■		■				

This work is published with the understanding that Seco Tools and its editors are supplying information aimed to present a general orientation and direction of metal cutting and related sciences. If professional services are required for specific applications, the assistance of an appropriate professional should be acquired.

The information is provided “as is”;

Seco Tools and its editors disclaim all representations and warranties, express or implied, of any kind, including, without limitations, any warranties of merchantability, fitness for a particular purpose, title, or non-infringement. In no event will Seco Tools or its editors be liable to any party for any direct, indirect, special or other consequential damages for any use of the information, even if Seco Tools or its editors are advised of the possibility of such damage.

The information provided herein is for reference purposes only. Actual prices, specifications, and product descriptions are finalised at the time of sale and may vary by location.

The information provided herein is subject to change without prior notice.

**[WWW.SECOTOOLS.COM](http://WWW.SECOTOOLS.COM)**

03198870, ST20176648 GB,  
© SECO TOOLS AB, 2018. All rights reserved.  
Technical specifications are subject to  
change without notice.